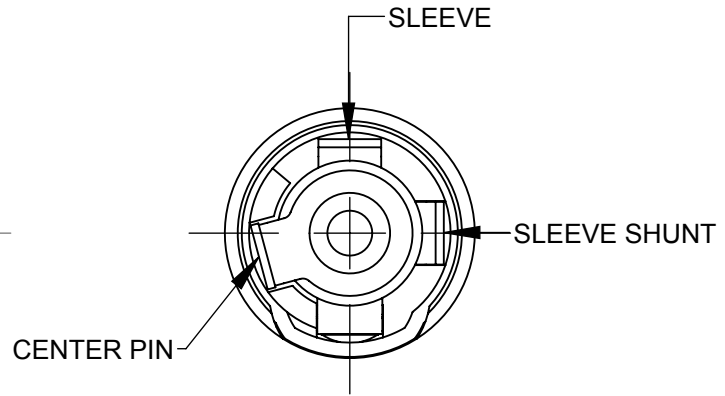
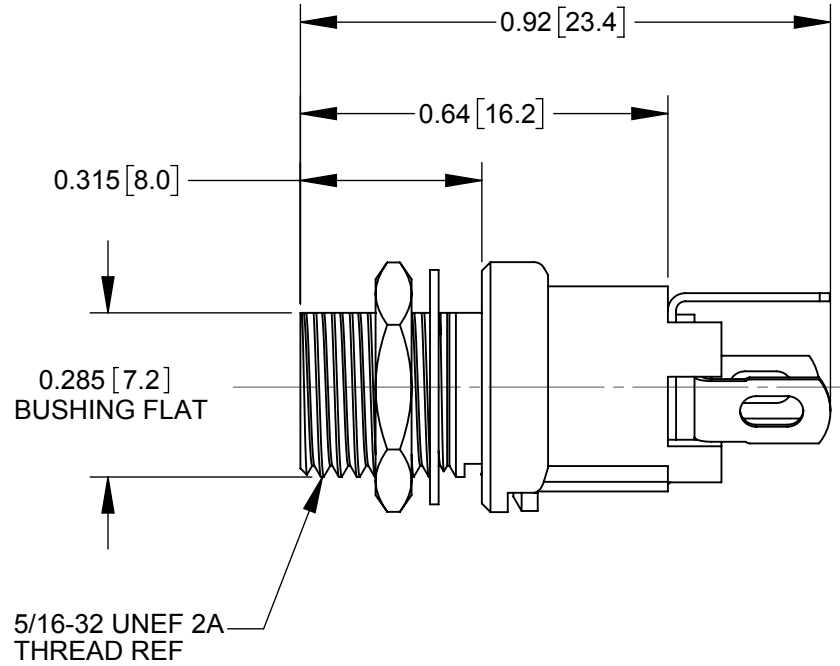
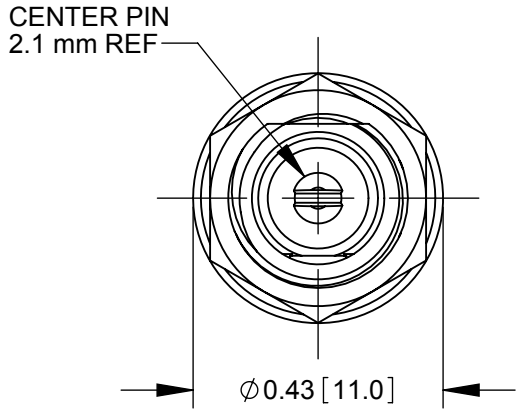
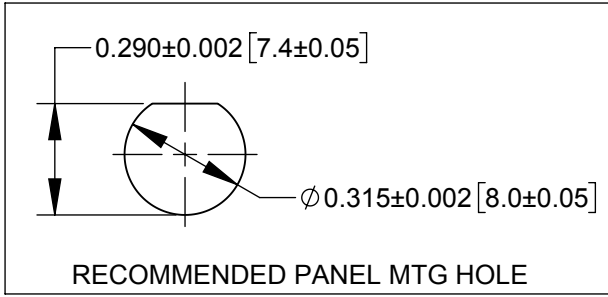
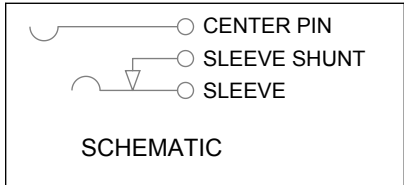
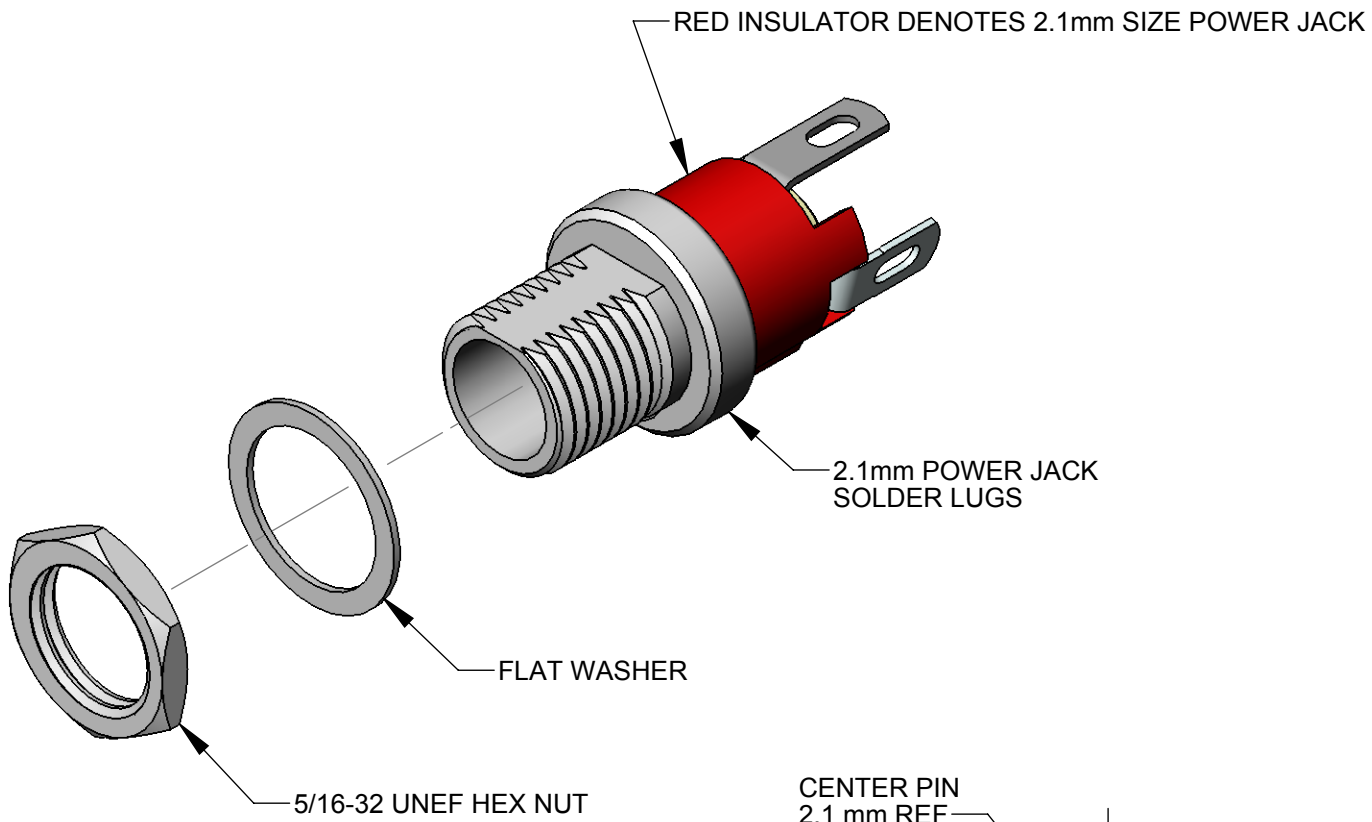


PART NUMBER	DESCRIPTION	SWITCHCRAFT MATING 2.1mm POWER PLUGS
L721A	2.1mm POWER JACK, SOLDER LUGS	767K, 768K



- NOTES:
- DIMENSIONS SHOWN FOR REFERENCE ONLY.
 - HEX NUT AND FLAT WASHER SUPPLIED UNASSEMBLED.
 - MATERIAL:
HOUSING, HEX NUT - COPPER ALLOY, NICKEL PLATED
INSULATOR HOUSING - THERMOPLASTIC, RED
TERMINAL INSULATORS - PHENOLIC
FLAT WASHER - STEEL, NICKEL PLATED
PIN, SPRING, TERMINALS - COPPER ALLOY, SILVER PLATED
 - THESE PRODUCTS ARE RoHS COMPLIANT

CUSTOMER DRAWING

UNLESS OTHERWISE SPECIFIED 1. ALL DIMENSIONS IN INCHES - TWO PLACE DECIMALS ±0.02 - THREE PLACE DECIMALS ±0.005					THIS DRAWING DESCRIBES A DESIGN CONSIDERED PROPRIETARY IN NATURE, DEVELOPED AND MANUFACTURED BY SWITCHCRAFT INC. AND IS RELEASED ON A CONFIDENTIAL BASIS FOR IDENTIFICATION PURPOSES ONLY.					
					SIZE	WIDTH	MULT	LBS/M	TEMPER	
REVISIONS 0A PRELIMINARY 02/06/17 PNK SRC REV ECO NUMBER DATE BY APVD					FINISH SPEC No.			MATERIAL SPEC No.		
					FIRST USED ON		SCALE 3:1			
DATE DRAWN 02/06/17		BY PNK	CHKD PNK 02/06/17	APVD SRC 02/06/17		SHEET 1 OF 1				
DO NOT SCALE DRAWING					NAME 2.1mm POWER JACKS SOLDER LUGS, RoHS			PART No. L721A		REV 0A