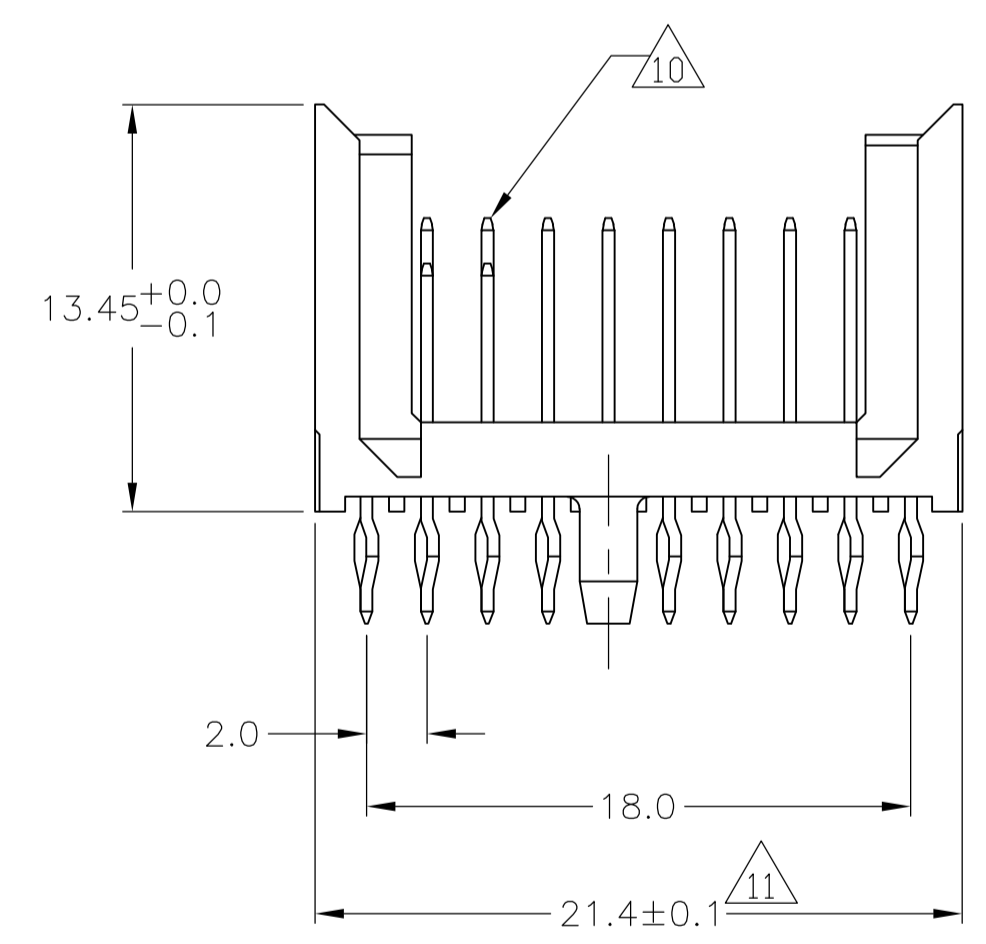
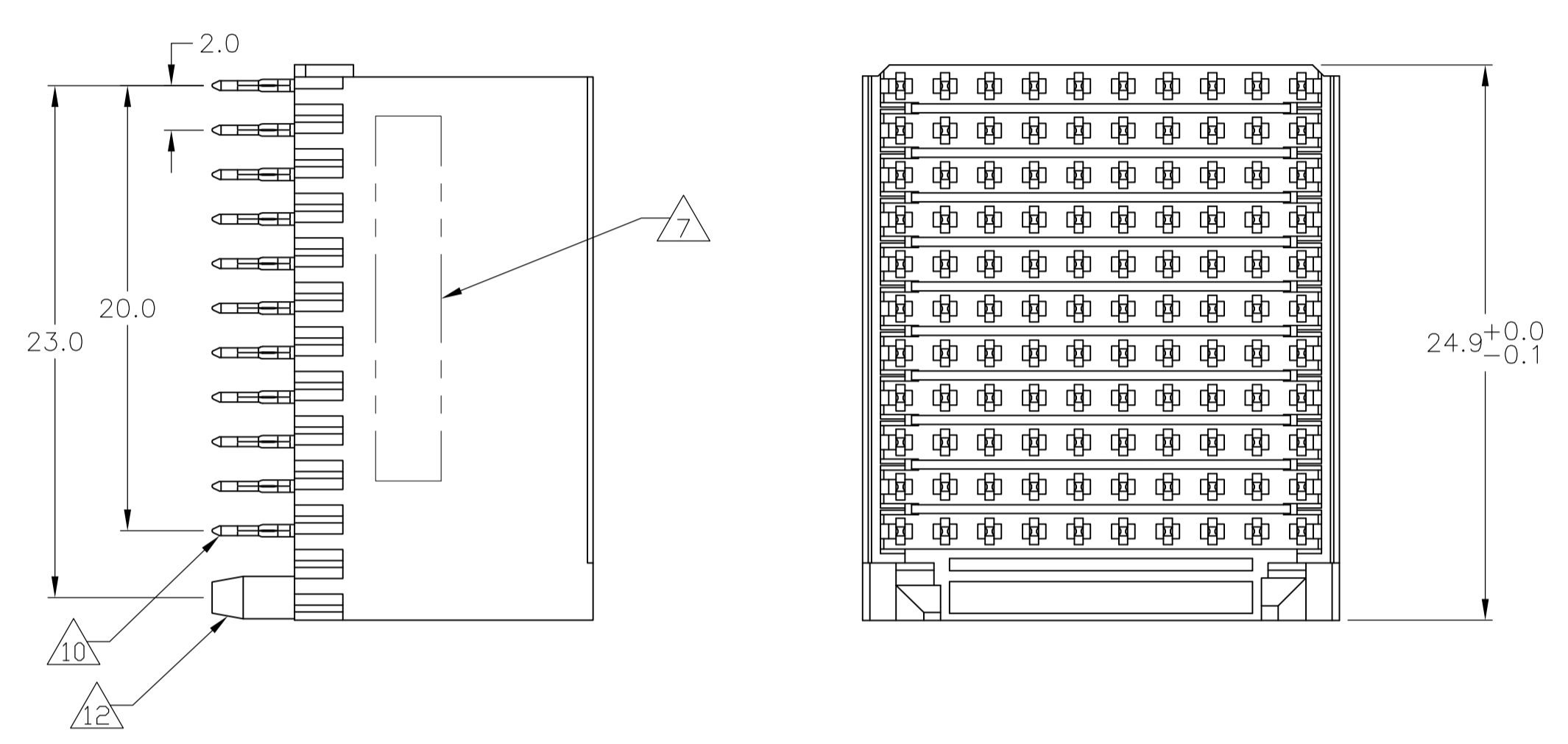
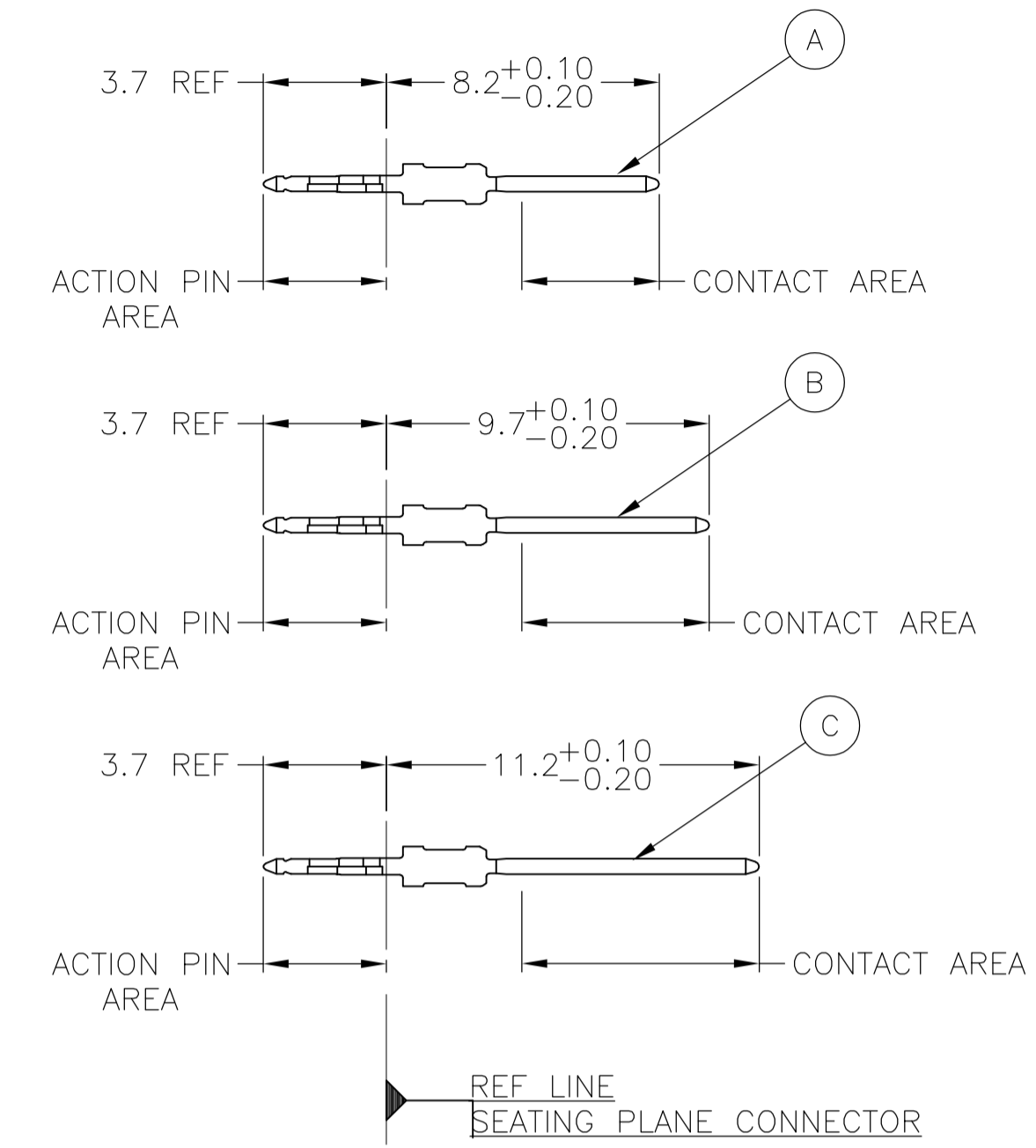


| LOC |     | DIST                      |         | REVISIONS |      |  |  |
|-----|-----|---------------------------|---------|-----------|------|--|--|
| P   | LTR | DESCRIPTION               | DATE    | DNW       | APVD |  |  |
| A1  |     | REVISED PER ECR-09-016566 | 28JUL09 | K.L.      | S.Y. |  |  |
| B   |     | ECR-10-018652             | 10SEP10 | JS        | MQW  |  |  |

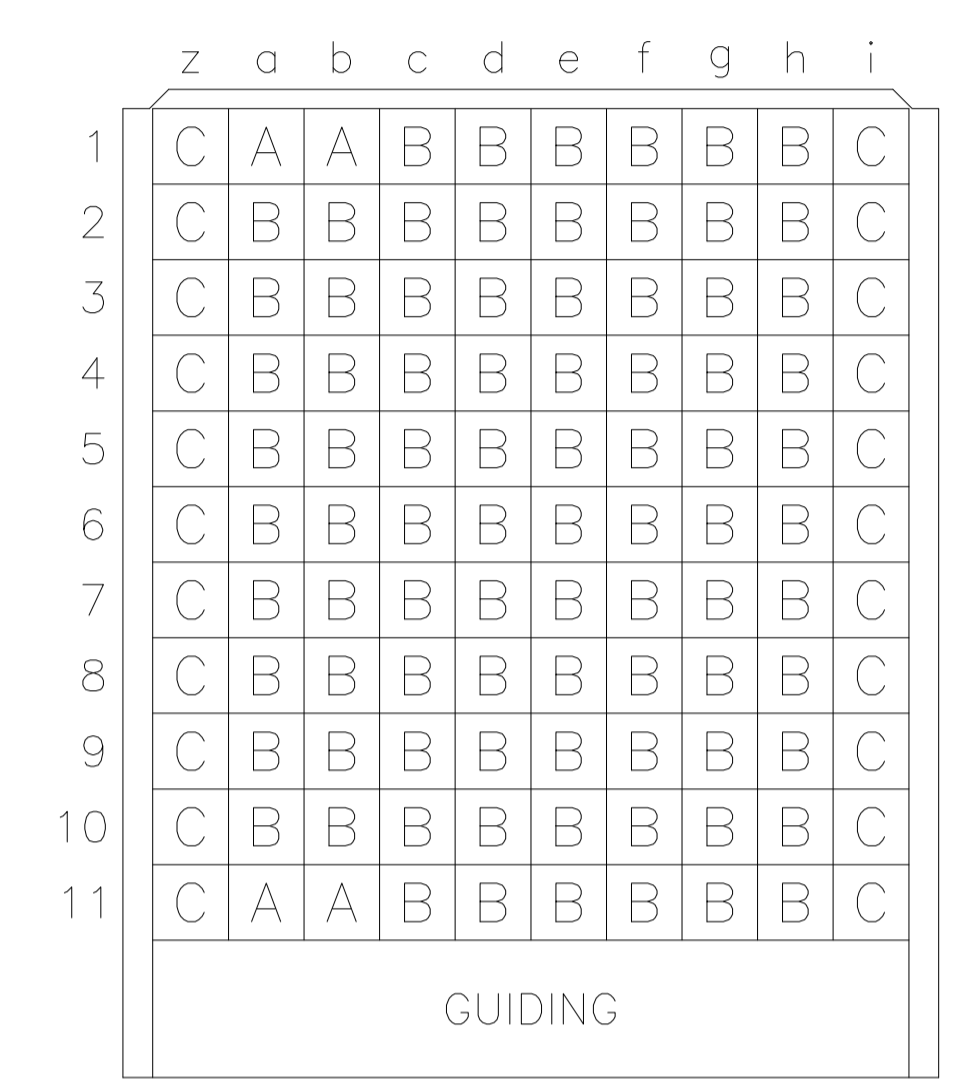
### CONNECTOR ASSEMBLY EXAMPLARY LOADED



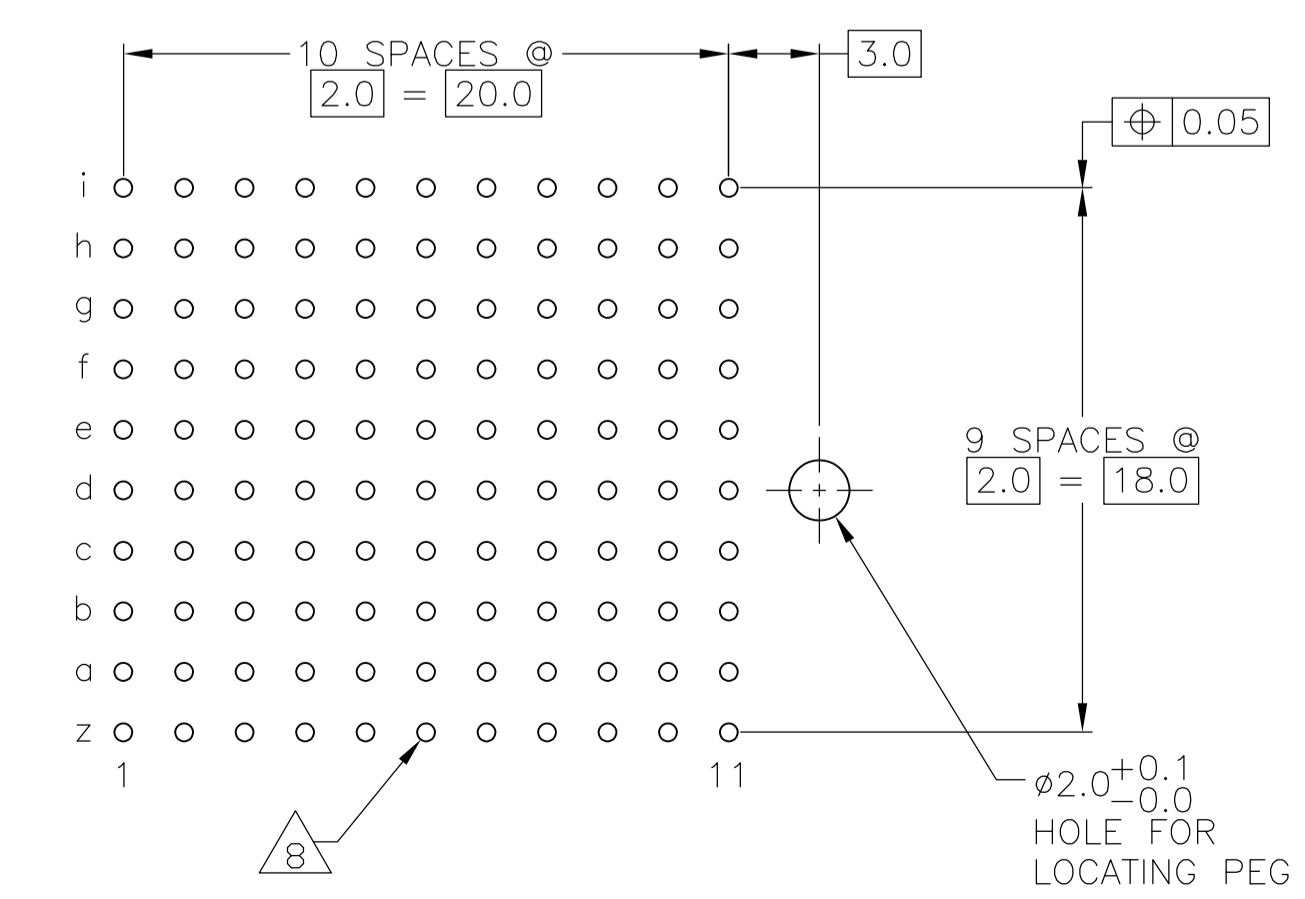
### CONTACT DIMENSIONS SCALE 5:1



### CONTACT LAYOUT



### RECOMMENDED PCB-HOLE LAYOUT COMPONENT SIDE SHOWN



### PLATED THRU HOLES PARAMETERS REFERENCE APPLICATION SPECIFICATION

|        |             |
|--------|-------------|
| 2 6 13 | 1-6645141-9 |
| 2 5 13 | 6645141-9   |
| 2 4    | 6645141-4   |
| 2 3    | 6645141-1   |
| FINISH | PART NUMBER |

THIS DRAWING IS A CONTROLLED DOCUMENT.

|                |  |                       |           |                                      |
|----------------|--|-----------------------|-----------|--------------------------------------|
| DIMENSIONS: mm | TOLERANCES UNLESS OTHERWISE SPECIFIED: | DIN RICHARDSON 1AUG05 | 1AUG05    | Tyco Electronics Corporation         |
| 0-PLC ±        | 1-PLC ±0.2                             | CHK G.SKIPPER 1AUG05  | 1AUG05    | Shanghai, P.R.China, 200233          |
| 2-PLC ±0.02    | 3-PLC ±0.005                           | APVD G.SKIPPER 1AUG05 | 1AUG05    | NAME                                 |
| 4-PLC ±0.030   | ANGLES                                 | PRODUCT SPEC          | 108-19082 | MALE ASSEMBLY, Z-PACK 2mm HM, TYPE F |
| MATERIAL       | FINISH SEE TABLE                       | APPLICATION SPEC      | 114-19029 | SIZE CASE CODE DRAWING NO            |
| 1              |  | WEIGHT                | A1 00779  | RESTRICTED TO                        |
|                |  | CUSTOMER DRAWING      | SCALE 4:1 | SHEET 1 OF 2 REV B                   |

| LOC | DIST | REVISIONS |      |    |      |
|-----|------|-----------|------|----|------|
| ES  | 00   | REV       | DATE | BY | APPV |
|     |      | 1         |      |    |      |
|     |      | 2         |      |    |      |
|     |      | 3         |      |    |      |
|     |      | 4         |      |    |      |
|     |      | 5         |      |    |      |
|     |      | 6         |      |    |      |
|     |      | 7         |      |    |      |
|     |      | 8         |      |    |      |
|     |      | 9         |      |    |      |
|     |      | 10        |      |    |      |
|     |      | 11        |      |    |      |
|     |      | 12        |      |    |      |
|     |      | 13        |      |    |      |

- 1 MATERIAL:  
CONTACT: PHOSPHOR BRONZE.  
HOUSING: GLASS-FILLED POLYESTER.
- 2 GENERAL PLATING SPECIFICATION: UNDERPLATING  
(ENTIRE CONTACT): 1.27µm MIN NICKEL AND ACTION  
PIN: 0.5µm MIN TIN.  
FOR PLATING OF MATING SURFACES SEE APPLICABLE  
SPECIFICATION REFERENCE FOR EACH DASH NUMBER.
- 3 CONFORMS TO ALL TESTING ACCORDING TO IEC 61076-4-101  
PERFORMANCE LEVEL 2.
- 4 CONFORMS TO ALL TESTING ACCORDING TO IEC 61076-4-101  
PERFORMANCE LEVEL 1.
- 5 CONNECTOR TESTED AND QUALIFIED AGAINST TELCORDIA GR-1217-CORE QUALITY LEVEL 3,  
CENTRAL OFFICE APPLICATIONS.
- 6 CONNECTOR TESTED AND QUALIFIED AGAINST TELCORDIA GR-1217-CORE QUALITY LEVEL 3,  
UNCONTROLLED ENVIROMENT APPLICATIONS.
- 7 CONNECTOR MARKED WITH PART NUMBER AND DATE CODE.  
ADDITIONAL CHARACTERS OR MARKINGS, AS WELL AS THE LOCATION OF THE MARKINGS,  
MAY BE ADDED FOR TRACEABILITY BASED UPON MANUFACTURERS DISCRETION.
- 8 PLATED-THROUGH HOLES AT 2x2mm SQUARE GRID  
PATTERN DEFINED BY CONTACT LAYOUT.
- 9 FOR ACTUAL PIN LOADING SEE "CONTACT LAYOUT".
- 10 FOR ACTUAL PIN DIMENSIONS SEE "CONTACT DIMENSIONS".
- 11 TO BE MEASURED AT BOTTOM OF SHROUD.
- 12 LOCATION PEG.
- 13 CONNECTOR LUBRICATED WITH BELCORE APPROVED LUBRICANT,  
TECHNICAL REFERENCE: TR-NWT-001217 ISSUE 1, SEP 1992.

|  |  |                                |   |                       |
|--|--|--------------------------------|---|-----------------------|
| THIS DRAWING IS A CONTROLLED DOCUMENT.   |  | DIN<br>R. RICHARDSON<br>1AUG05 | Tyco Electronics Corporation<br>Shanghai, P.R.China, 200233 |                       |
| DIMENSIONS:<br>mm  |  | CHK<br>G. SKIPPER<br>1AUG05    | NAME<br>MALE ASSEMBLY, Z-PACK 2mm HM,<br>TYPE F             |                       |
| TOLERANCES UNLESS OTHERWISE SPECIFIED:<br>0-PLC ±<br>1-PLC ±0.2<br>2-PLC ±0.02<br>3-PLC ±0.005<br>4-PLC ±<br>ANGLES ±0.30° |  | APPV<br>G. SKIPPER<br>1AUG05   | PRODUCT SPEC<br>108-19082                                   |                       |
| MATERIAL<br>SEE SHEET 1  |  | FINISH<br>SEE SHEET 1          | APPLICATION SPEC<br>114-19029                               | RESTRICTED TO<br>-    |
| WEIGHT<br>-  |  | SIZE<br>A1                     | CAGE CODE<br>00779  | DRAWING NO<br>6645141 |
| CUSTOMER DRAWING   |  | SCALE<br>4:1                   | SHEET<br>2  | OF 2<br>REV<br>B      |