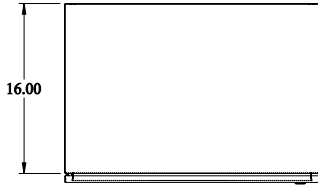
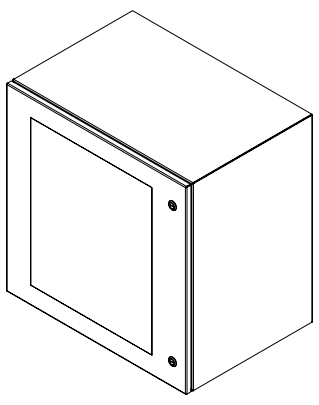
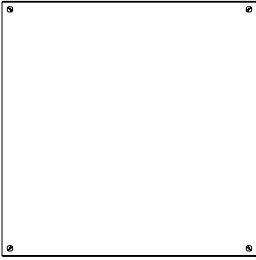


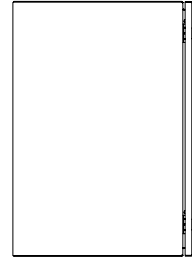
**PART No. EN4SD242416WLG**  
 for more information visit  
[www.hamfmg.com](http://www.hamfmg.com)  
 Data subject to change without notice  
 Isometric drawing Not to Scale



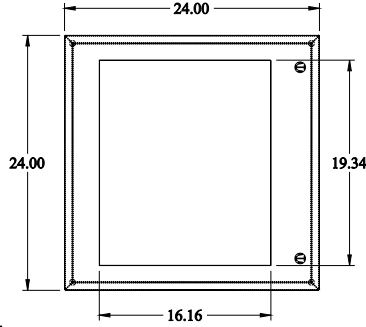
**TOP VIEW**



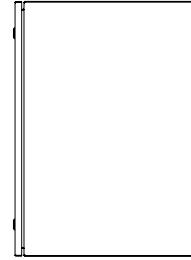
**BACK VIEW**



**LEFT SIDE VIEW**

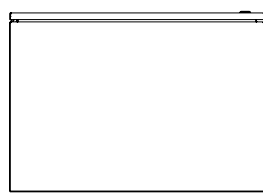


**FRONT VIEW**



**RIGHT SIDE VIEW**

**ISOMETRIC VIEW**



**BOTTOM VIEW**