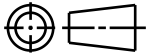
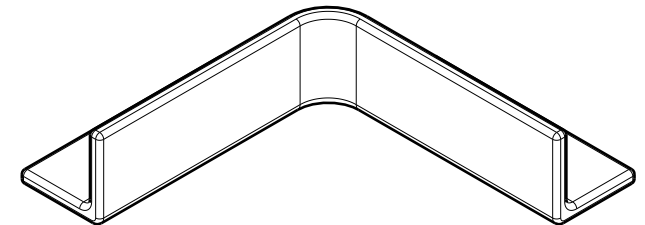
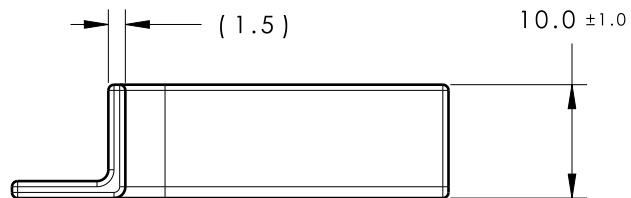
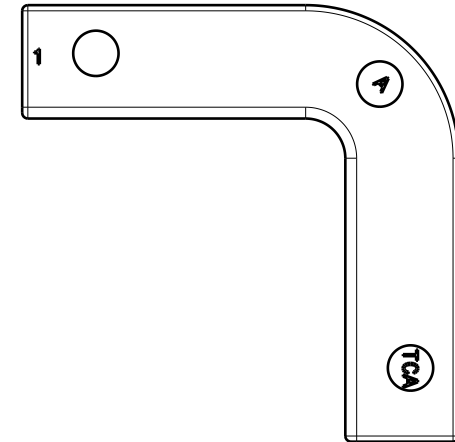
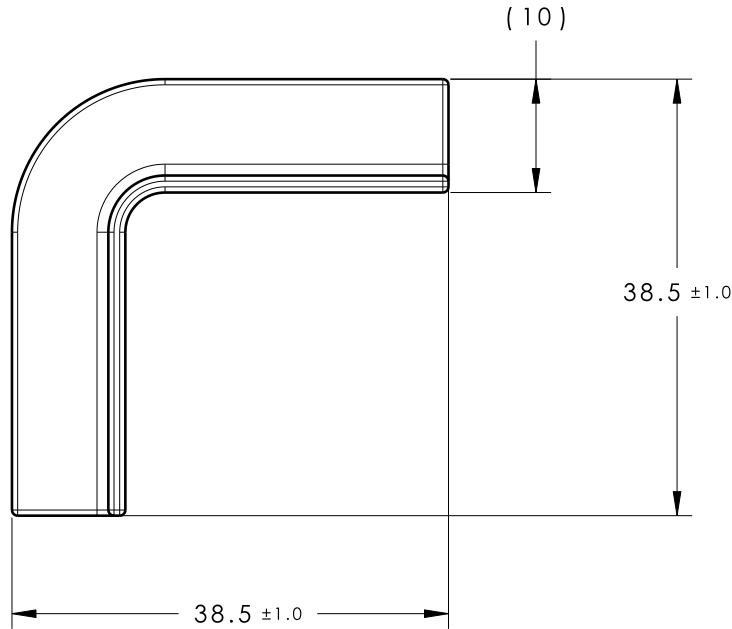


CATIA V5



Revision Level		Revision Record	Changed	Date	Approved	Date
Drawing	Part					
00	A	SEE ECN# 012535	CJR	12/30/13	SJA	01/02/14



ISOMETRIC VIEW

Material  
PP20%TC  
COLOR: BLACK

Units millimeters  
  
Tolerance defined on each dimension

The copyright of this drawing is reserved by HellermannTyton. It is issued on condition that it is not reproduced, copied or disclosed to a third party, either wholly or in part, without the consent of HellermannTyton.

Drawn	CJR	10/17/13
Approved	SJA	10/17/13
<b>HellermannTyton</b>		
North America Email: corp@htamericas.com Web: www.hellermann.tyton.com		

Article/Type-No	90MINICHNL
Title	90 DEGREE MINI CHANNEL
Drawing-No	PRODUCTION : Phase
<b>13-1052-001-CSU</b>	

Scale	3:2
Project Number	13-1052
Format	AH
Sheet	1/1