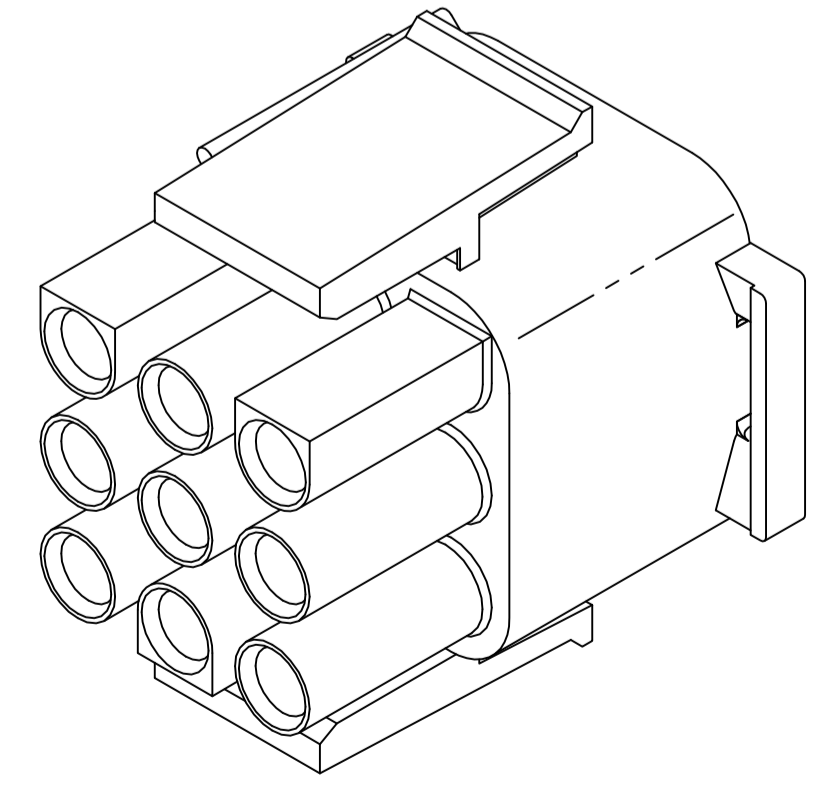
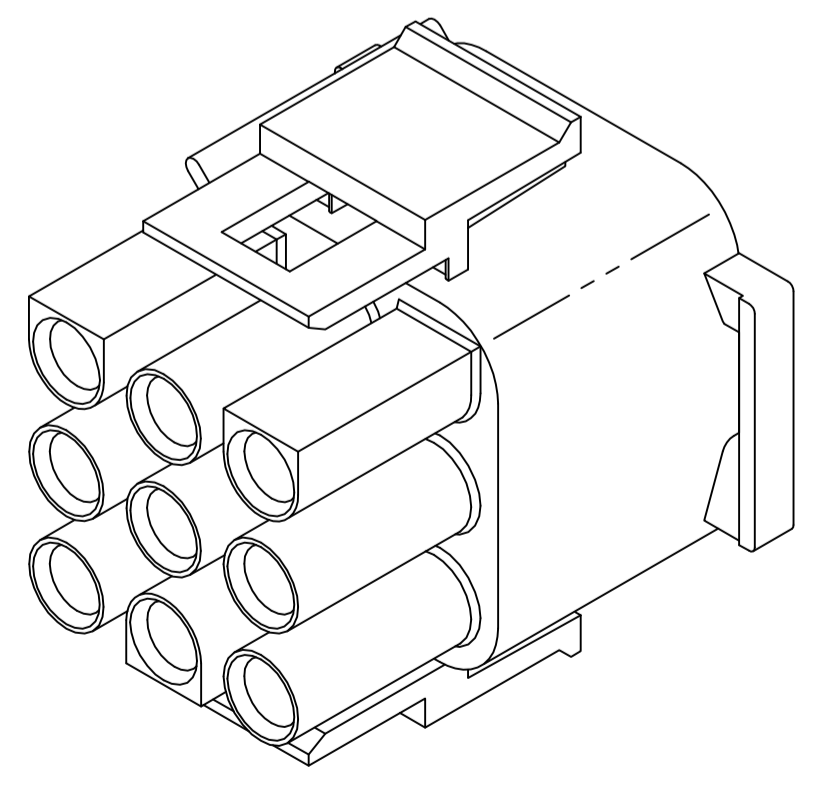
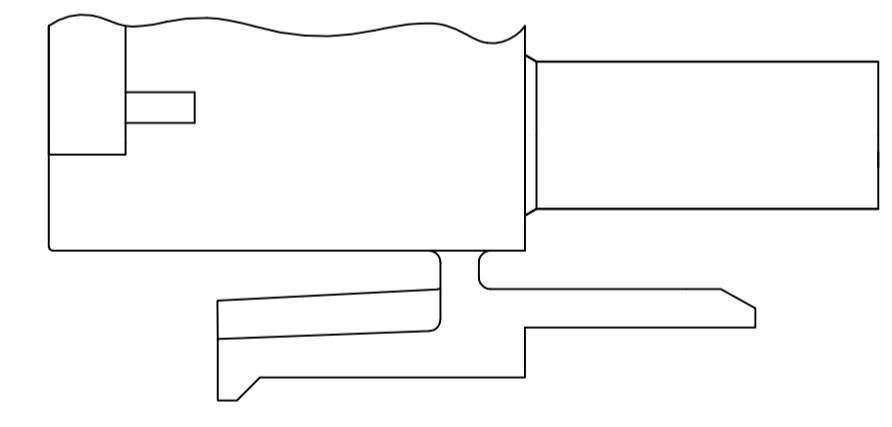
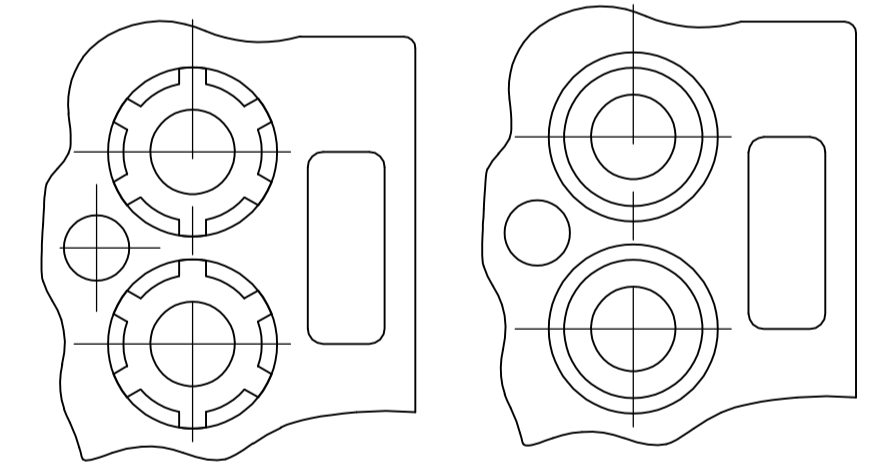
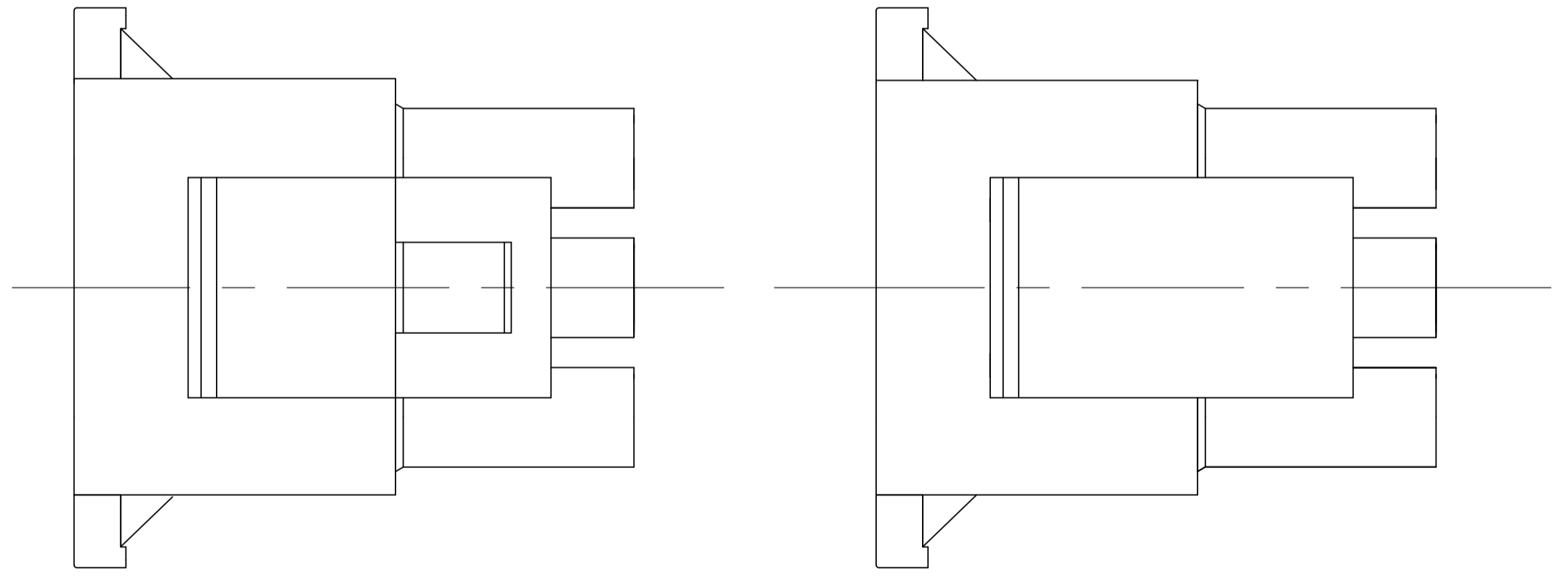


- MATES WITH APPROPRIATE UNIVERSAL MATE-N-LOK™ CAP OR HEADER.
- SMALL NICKS ARE PERMITTED ON THE CIRCUIT TOWERS WHICH COULD INCREASE THE INITIAL HOUSING MATING FORCE BY UP TO 4.4 NEWTONS [1.0] LBS. NO INDIVIDUAL NICKED TOWER SHALL INCREASE THIS FORCE BY OVER 2.2 NEWTONS [.5] LBS.
- DIMENSION INDICATED IS AS MOLDED. ADDITIONAL GROWTH DUE TO SUBSEQUENT MOISTURE ABSORPTION MAY OCCUR.
- FOUR RIBS EQUALLY SPACED, NO SPECIFIC ORIENTATION, NO RIBS OR SIX RIBS EQUALLY SPACED, NO SPECIFIC ORIENTATION, OPTIONAL.
- NOT MANUFACTURED IN THE UNITED STATES.
- UNDERWRITERS RECOGNIZED COMPONENT LOGO AND CSA CERTIFICATION LOGO TO BE LOCATED ONCE ON EACH SIDE OF HOUSING.
- NYLON, UL94V-0.



BLACK	1-350720-9
GRAY	1-350720-8
BLUE	1-350720-6
GREEN	1-350720-5
YELLOW	1-350720-4
ORANGE	1-350720-3
RED	1-350720-2
BROWN	1-350720-1
	350720-4
NATURAL	350720-1
COLOR	PART NUMBER

THIS DRAWING IS A CONTROLLED DOCUMENT.		DMN S. HAMM 07JUN01	APVD S. RIDGILL 07JUN01		NAME PLUG, 9 CIRCUIT, UNIVERSAL MATE-N-LOK™
DIMENSIONS: mm [INCHES]	TOLERANCES UNLESS OTHERWISE SPECIFIED:	0. PLC ± -	1. PLC ± -	2. PLC ± 0.13 [.005]	APPLICATION SPEC
		3. PLC ± -	4. PLC ± -	ANGLES ± °'30"	FINISH
MATERIAL	FINISH	WEIGHT	SIZE A1	CAGE CODE 00779	DRAWING NO. 350720
CUSTOMER DRAWING		SCALE 4:1	SHEET 1 of 1	REV AA2	RESTRICTED TO

