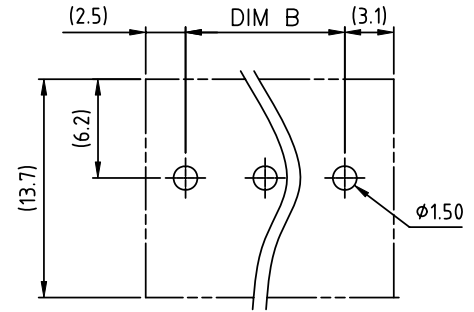
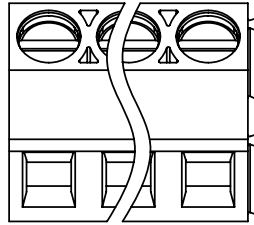
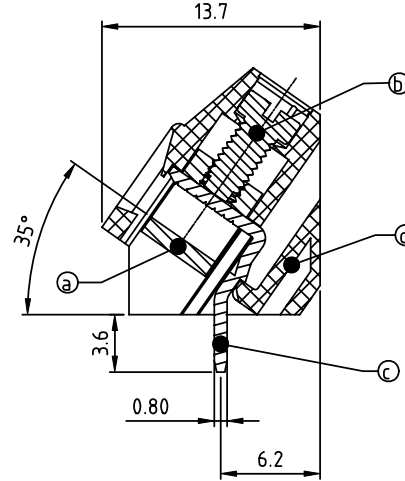
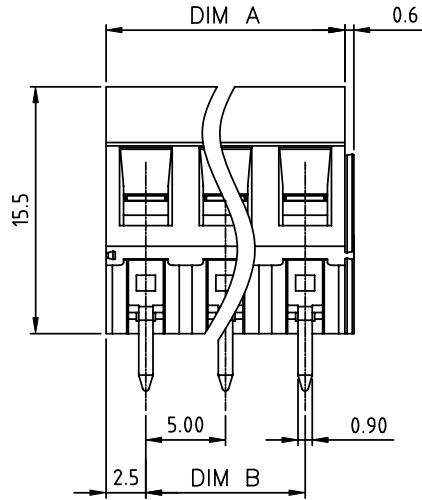


PRODUCT NUMBER	PITCH
T2xx01x000J0G	5.00 mm



RECOMMENDED P.C.B LAYOUT
TOP VIEW



Material

- Item A Clamp : Brass , Ni plated
- Item B Terminal screw : Steel , Zinc plating "--" slot type
- Item C Wire guard solder pin : Brass , Tin plated
- Item D Terminal housing : Thermoplastic (UL94V-0)

Electrical UL

- Voltage rating: 300VAC
- Current rating: 10A
- Wire range:
- Solid wire(AWG): 12-24
- Stranded wire(AWG): 12-24
- Torque(Lb-In): 3.5
- Screw: M2.5
- Wire strip length: 6-7mm
- Withstanding Voltage: 1.6KV
- Operating temperature: -40°C to +115°C
- Soldering temperature: 260°C±5°C/5 Sec
- Safety Approval:

PART NO.: T2xx01x000J0G

Dimension A&B

DIM A	Nx5.0
DIM B	(N-1)x5.0

N=Number of poles

Poles	DIMA&B Tolerance
2P-8P	±0.15
9P-14P	±0.25
15P-20P	±0.35
21P-24P	±0.40

End stackable
No. of poles
02 2 poles
03 3 poles
... ..
24 24 poles

Body Color
0 Black (RAL9005)
2 Red (RAL3001/D)
3 Orange(RAL2011/P)
4 Yellow(RAL1018/A)
5 Green(RAL6018/T)
6 Blue (RAL5015/A)
8 Grey(RAL7035/D)
9 White(RAL1102)
C Green(RAL6018/U)

RoHS compliant
(lead<4%)
In copper Alloy

mat'l. code		surface ASME Y14.5	tolerance ASME Y14.5	projection	product family TERMINAL BLOCK
ltr	ecn no	dr	date		title TERMINAL BLOCK
tolerances unless otherwise specified				MM	scale RISING CLAMP,35D WIRE INLET,STACKABLE TYPE
angles	0	X.±0.5			dwg no T2xx01x000J0G
0	X.X±0.3		sheet 1 of 1 size A4		
X*±1"	X.XX±0.1		type CUSTOMER Drawing		
dr	EVIN ZHONG	040714			
enr	EVIN ZHONG	040714			
chr	HANKE FENG	040714			
appd	SHI JUN	040714			
sheet index	revision sheet	A	1		