

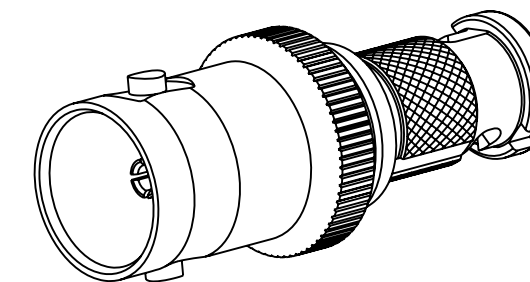
NOTES:

1. MATERIALS AND FINISHES:  
 BODY - BRASS, NICKEL PLATING  
 CONTACT - BeCu, GOLD PLATING  
 OUTER CONTACT - BeCu, NICKEL PLATING  
 INSULATOR - PTFE  
 BAYONET - BRASS, NICKEL PLATING
2. ELECTRICAL:  
 A. IMPEDANCE: 75 OHM  
 B. FREQUENCY RANGE: DC - 3 GHz  
 C. RETURN LOSS: -25 dB MIN.
3. MECHANICAL:  
 A. DURABILITY: 500 CYCLES MIN.  
 B. TEMPERATURE RANGE: -65° C TO +165° C
4. PACKAGING:  
 A. QUANTITY: SINGLE PACK  
 B. MARKING: BAG TO BE MARKED  
 "AMPHENOLRF, 611X-4432-100 AND DATE CODE"

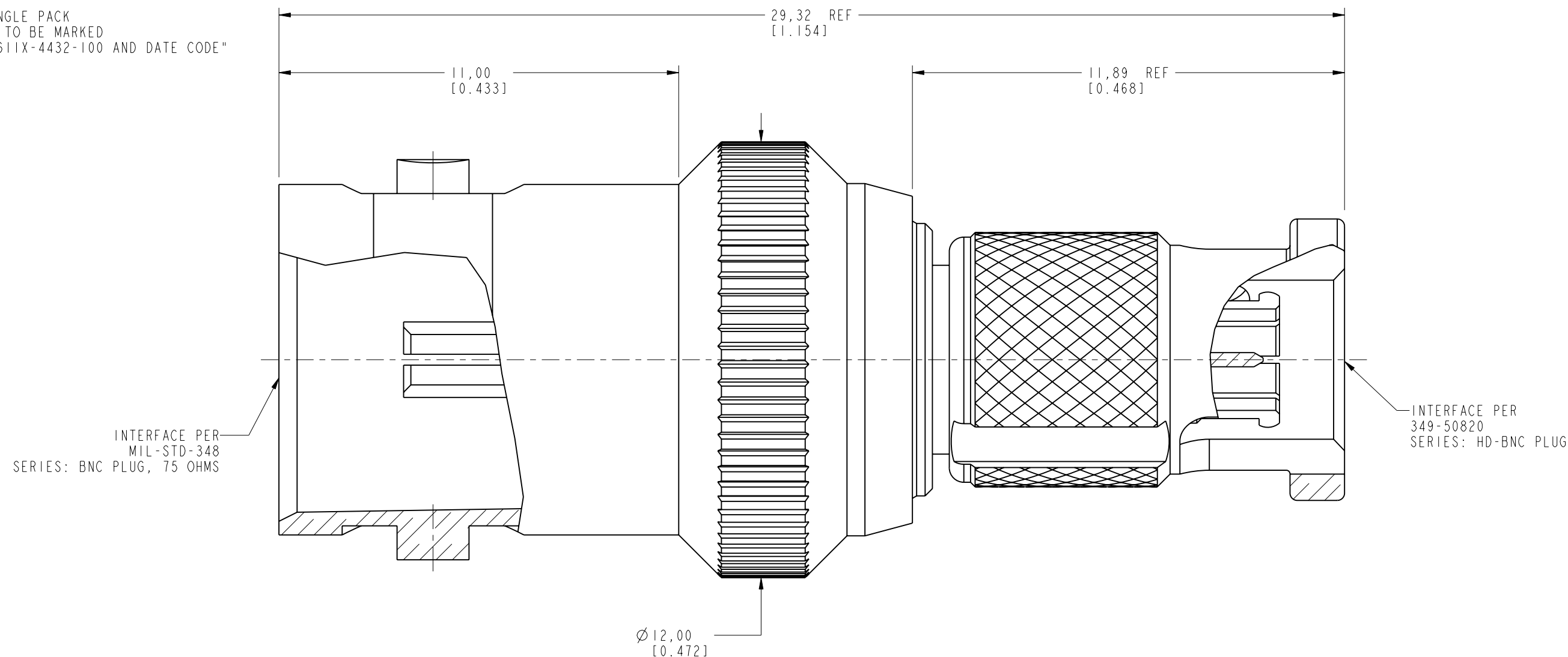
THIRD ANGLE PROJ.

REVISIONS

REV	DESCRIPTION	DATE	ECO	APPR
A	RELEASE TO MFG	18-Oct-10	48168	KR



SCALE 2.500



**CUSTOMER OUTLINE DRAWING**

ALL OTHER SHEETS ARE FOR INTERNAL USE ONLY

<p>UNLESS OTHERWISE SPECIFIED, DIMENSIONS ARE IN METRIC AND TOLERANCES ARE:          &lt;0.5mm ±0.05mm    0.5 - 6mm ±0.1mm    6 - 30mm ±0.2mm    30 - 120mm ±0.3mm    ANGLES ±1°</p> <p>NOTICE - These drawings, specifications, or other data (1) are, and remain the property of Amphenol corp. (2) must be returned upon request; and (3) are confidential and not to be disclosed to any person other than those to whom they are given by Amphenol Corp. the furnishing of these drawings, specifications, or other data by Amphenol Corp., or to any other person to anyone for any purpose is not to be regarded by implication or otherwise in any manner licensing, granting rights to permitting such holder or any other sperson to manufacture, use or sell any product, process or design, patented or otherwise, that may in any way be related to or disclosed by said drawings, specifications, or other data.</p>	MATERIAL	DRAWN	DATE	TITLE		<p><b>Amphenol RF</b>          Danbury CT USA, Tainan, Taiwan, Shenzhen, China          www.amphenolrf.com</p>	
	SEE NOTES	S.LI	18-Oct-10				
	REFERENCE	APPROVED	DATE	SCALE: 8.0:1.0		SHEET 2 OF 2	
	EAR #3970	S.HSIEH	18-Oct-10	DWG SIZE	REV	PART NO. APH-BNCJ-HDBNCP	
CONFIGURATION LEVEL: =%%Z0HXIBIGC%=	FINISH	CAD FILE	B	A			
		Root Folder/BNC/APH-BNCJ-HDBNCP					