

4

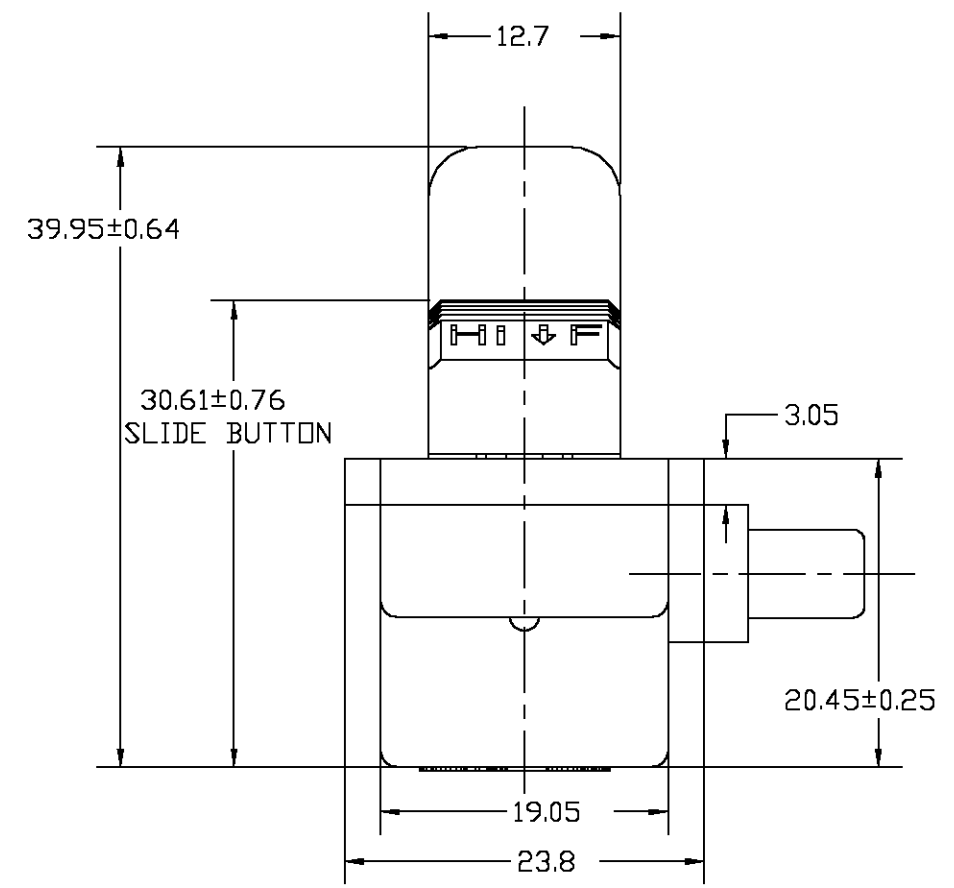
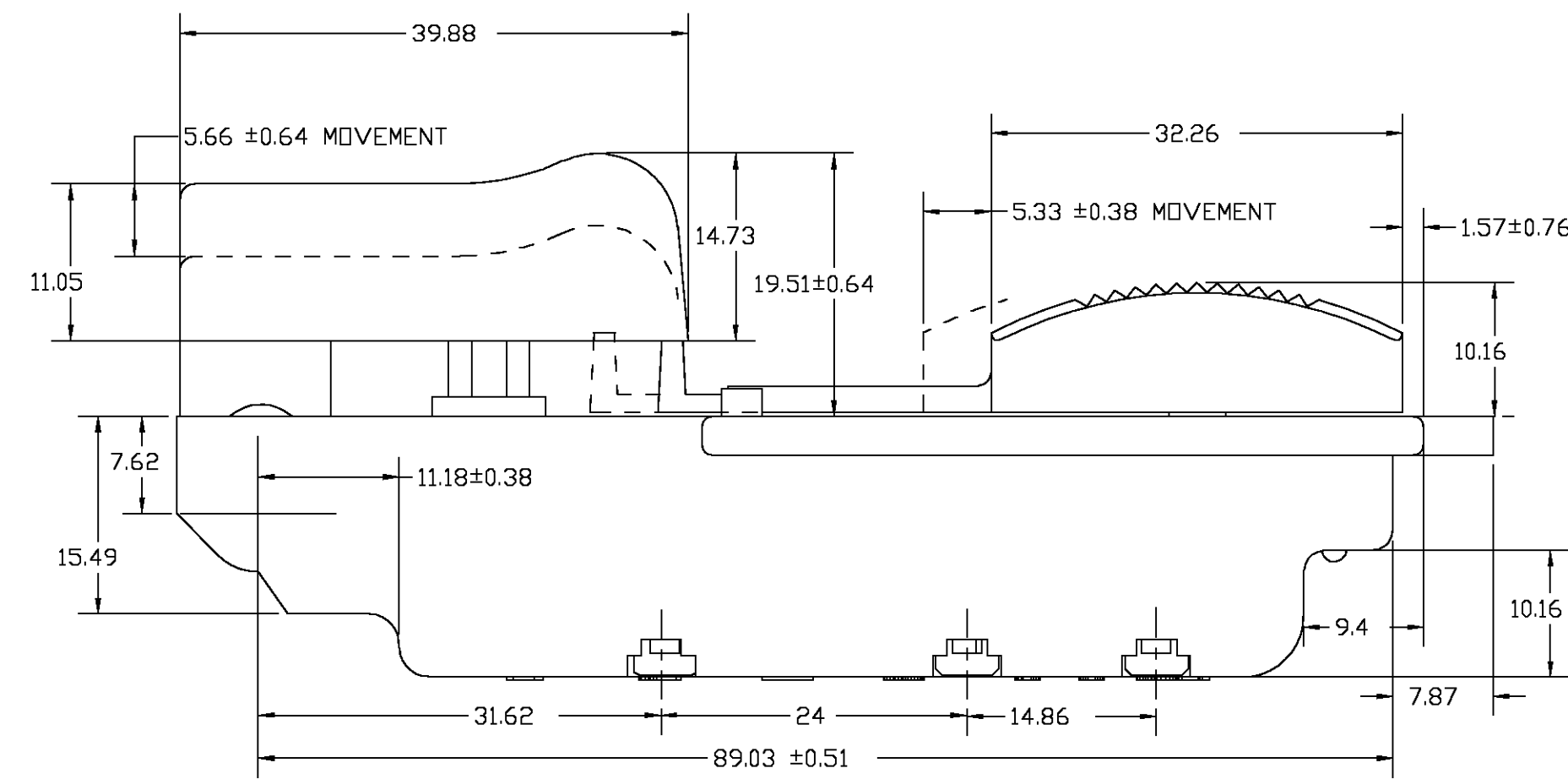
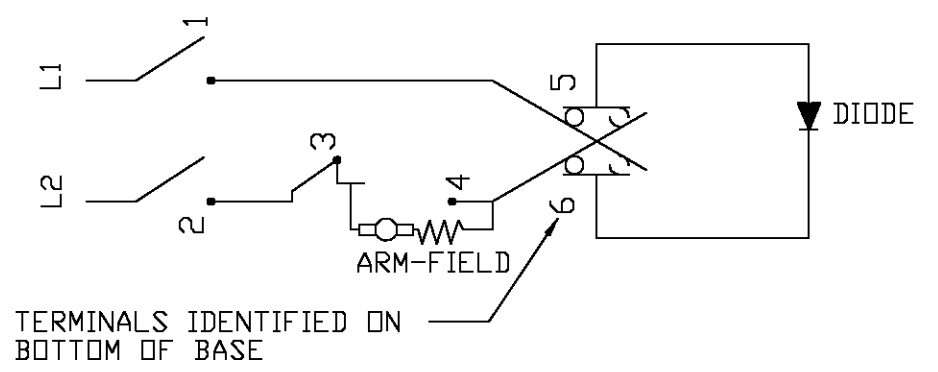
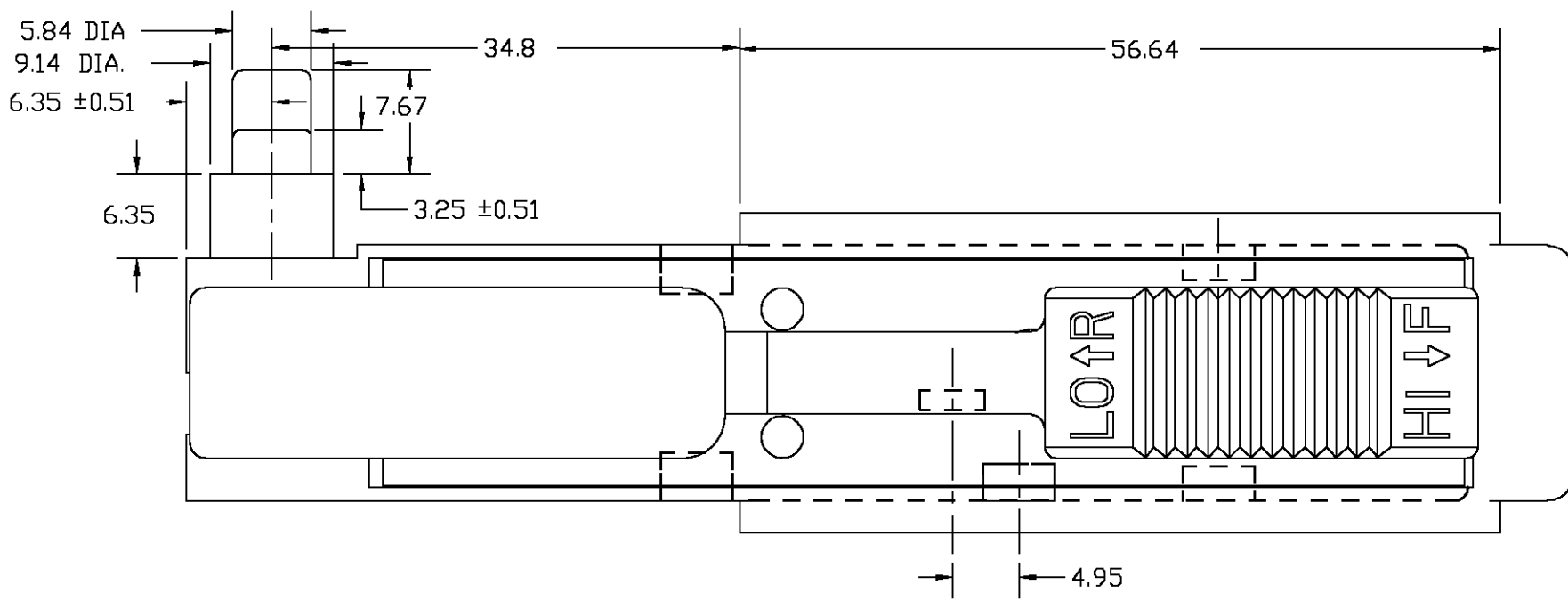
3

2

1

THIS DRAWING IS UNPUBLISHED. RELEASED FOR PUBLICATION 20
 © COPYRIGHT 20 BY TYCO ELECTRONICS CORPORATION. ALL RIGHTS RESERVED.

LOC	DIST	REVISIONS				
P	LTR	DESCRIPTION	DATE	DWN	APVD	
ES	00	A	RELEASE PER ECR-05-002019	20APR05	JZ MS	

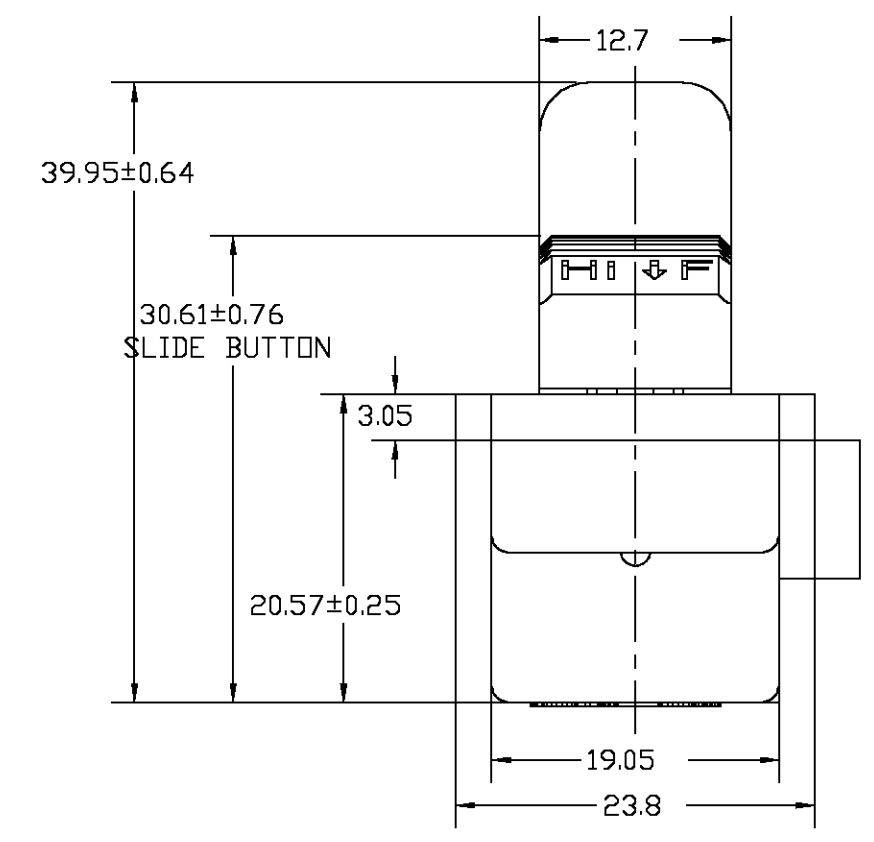
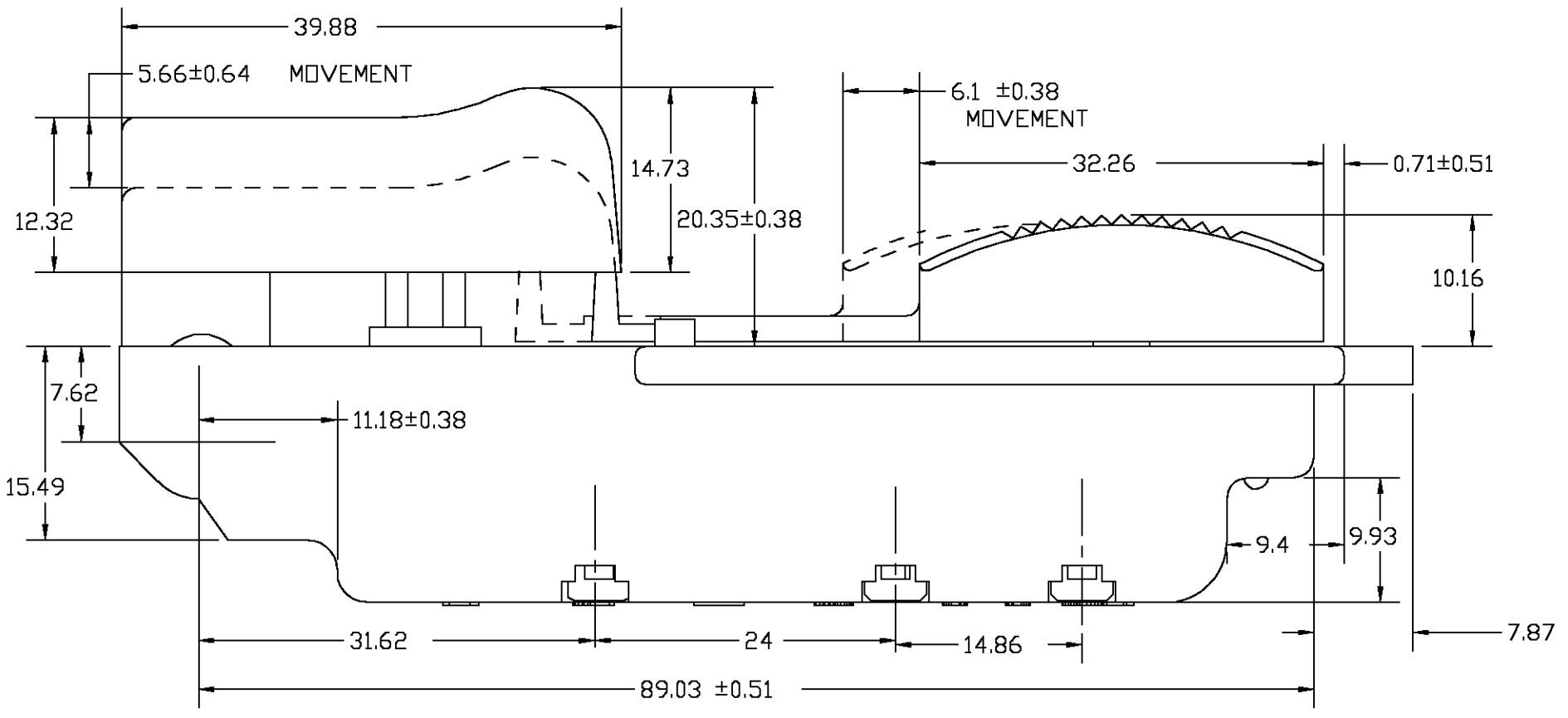
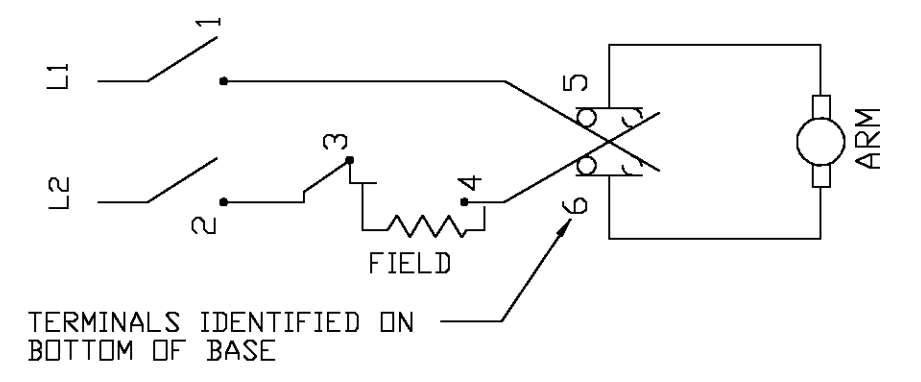
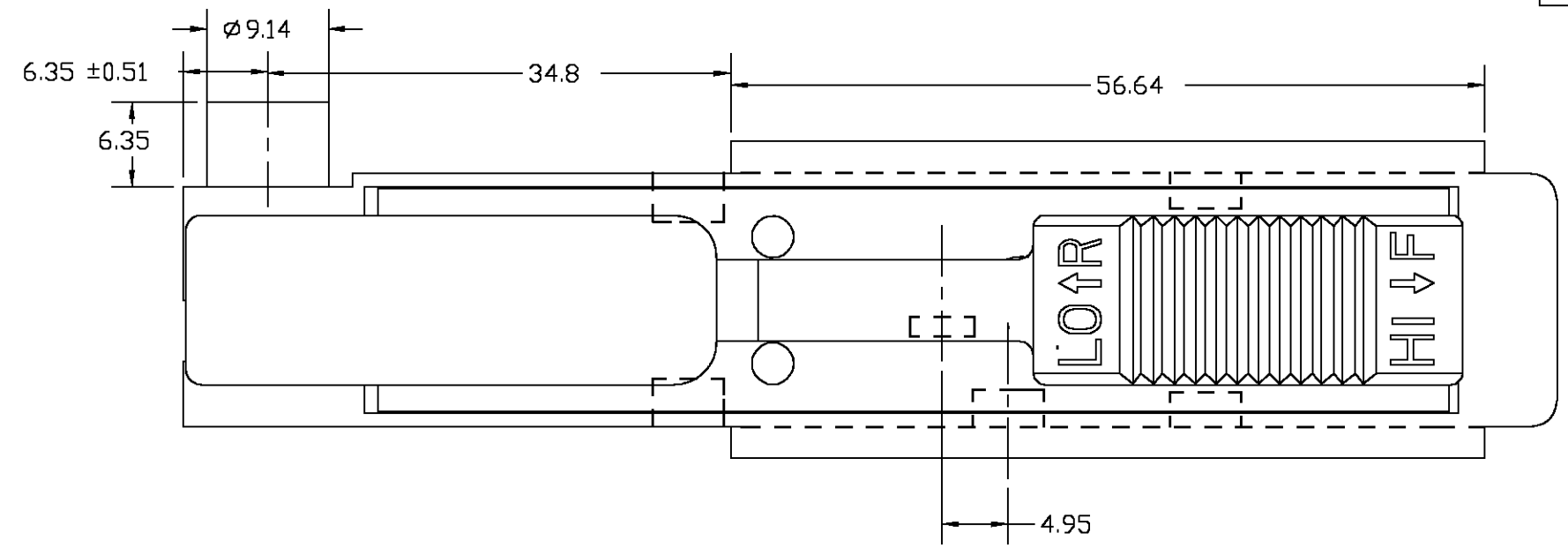


- NOTES:
- USE BRUSH CONTACT "TAB LOK" AMP P/N 62008 FOR TERMINAL CONNECTIONS OF THE SWITCH.
 - SWITCH RATING 12A-125 VAC, 6A-250VAC
 - GENERAL TOL IS ±0.25

<small>THIS DRAWING IS A CONTROLLED DOCUMENT FOR TYCO ELECTRONICS CORPORATION. IT IS SUBJECT TO CHANGE AND THE CONTROLLING ENGINEERING ORGANIZATION SHOULD BE CONTACTED FOR THE LATEST REVISION.</small>		DWN	J.ZHANG	27APR2005	Tyco Electronics Shanghai, CHINA
		CHK	K.OOISHI	27APR2005	
		APVD	M.SHINDO	27APR2005	NAME
		PRODUCT SPEC	HI-LD SPEED TOOL HANDLE SWITCH		
		APPLICATION SPEC	-		
		WEIGHT	-		
		CUSTOMER DRAWING	SCALE	2:1	RESTRICTED TO
			SIZE	A3	
			CAGE CODE	00779	
			DRAWING NO	©=1520279	
			SHEET	1	OF 5
			REV	A	

THIS DRAWING IS UNPUBLISHED. RELEASED FOR PUBLICATION 20
 © COPYRIGHT 20 BY TYCO ELECTRONICS CORPORATION. ALL RIGHTS RESERVED.

LOC	DIST	REVISIONS			
P	LTR	DESCRIPTION	DATE	DWN	APVD
ES	00	SEE SHEET 1			



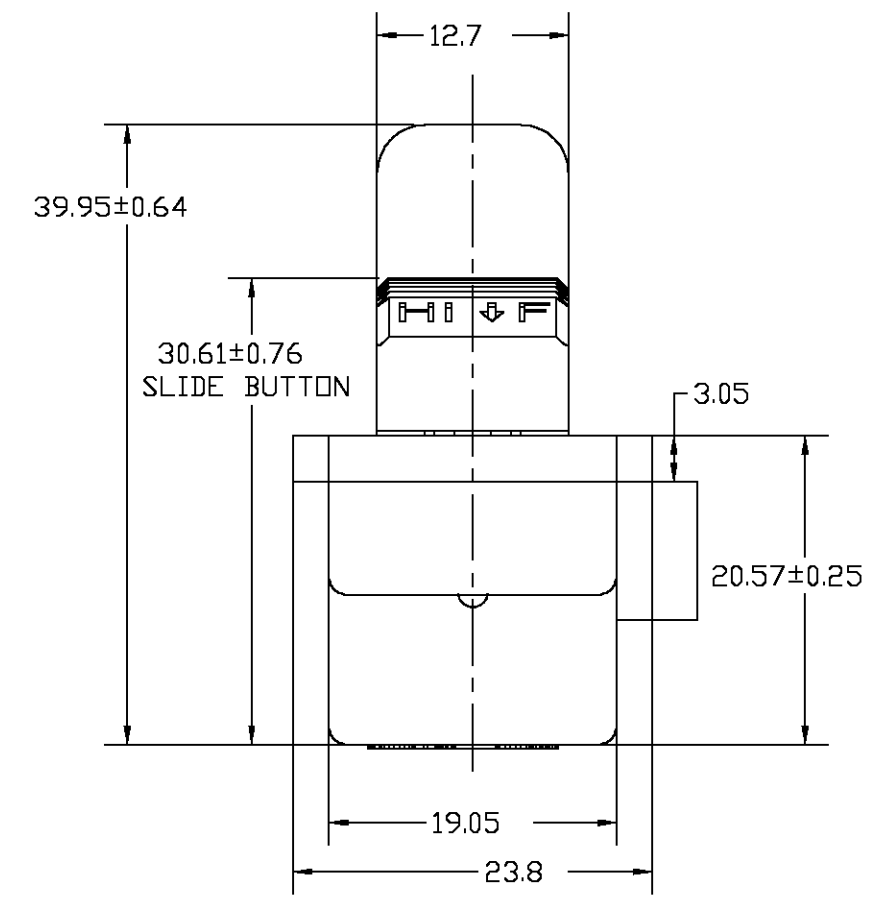
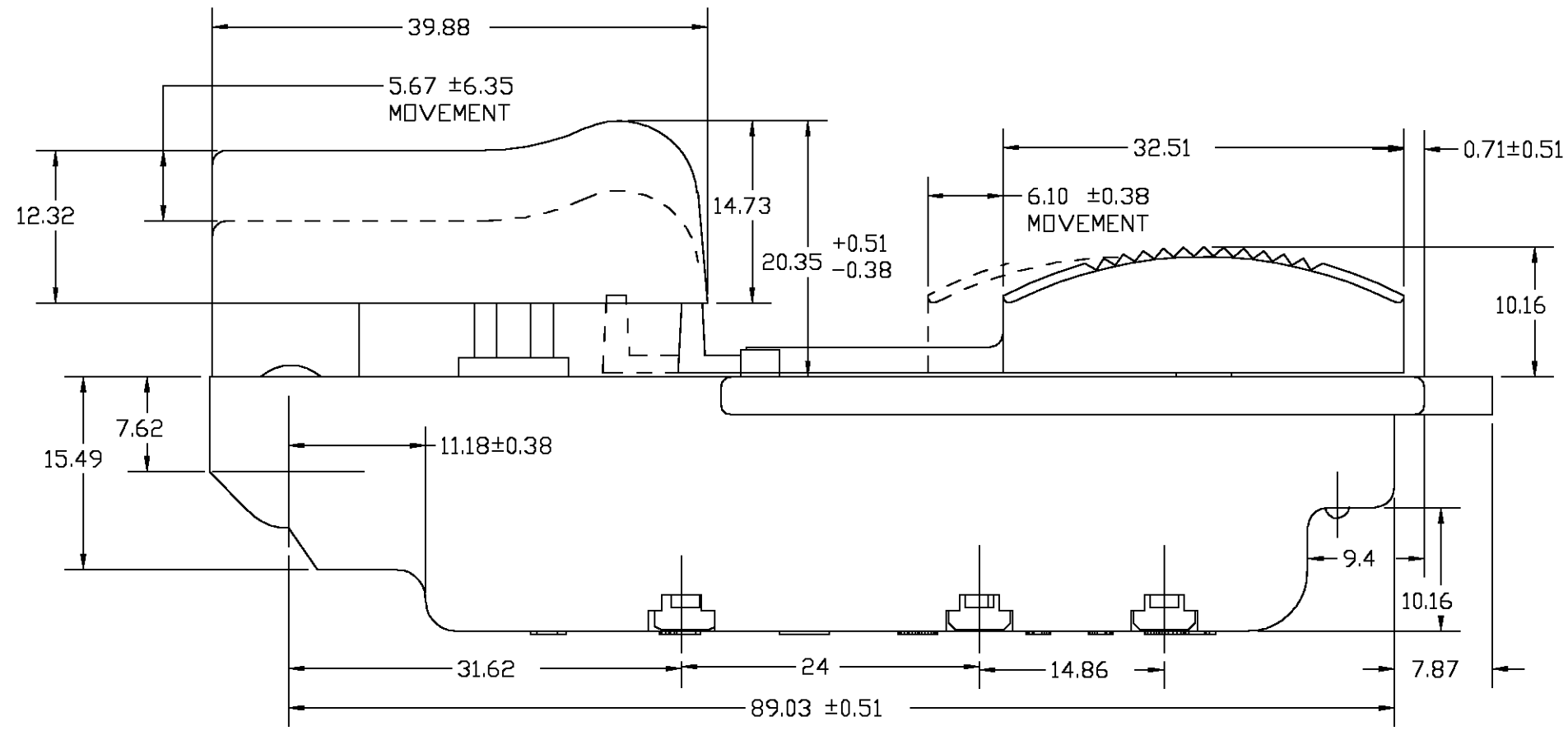
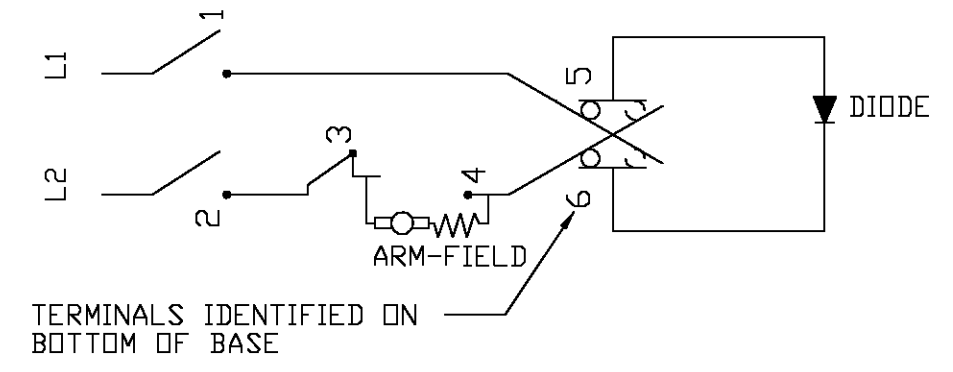
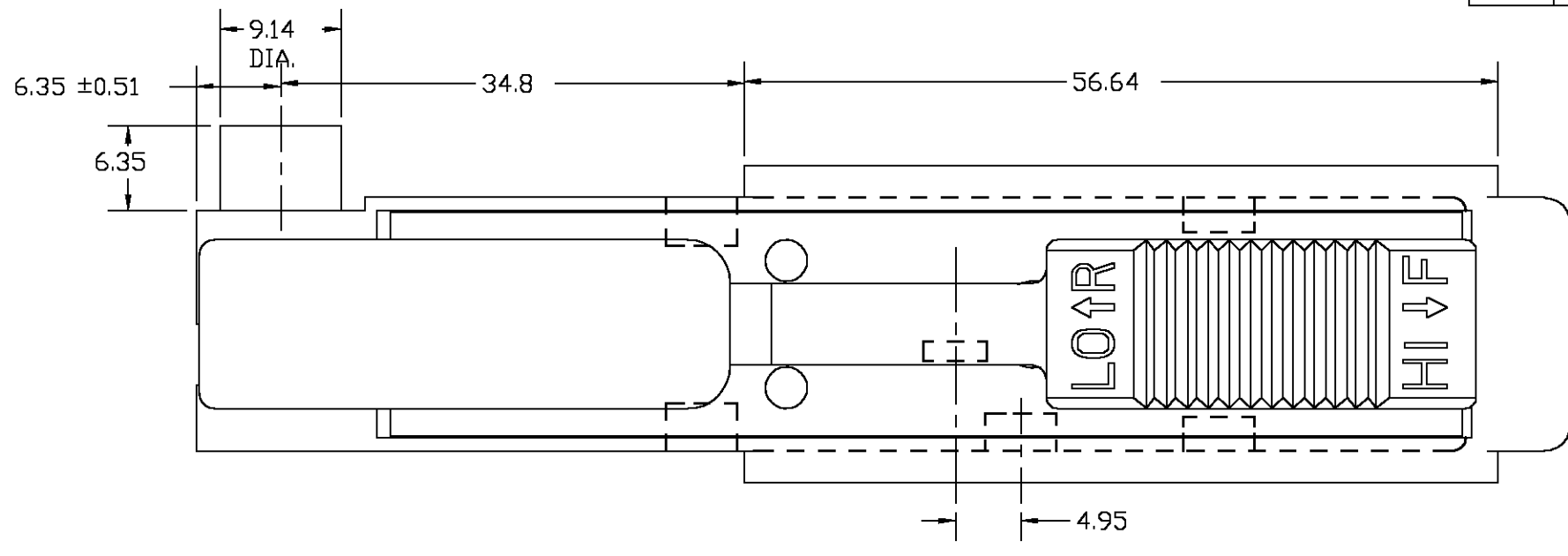
- NOTE:
- USE BRUSH CONTACT "TAB LOK" AMP P/N 62008 FOR TERMINAL CONNECTIONS OF THE SWITCH.
 - SWITCH RATING 12A-125 VAC, 6A-250VAC
 - GENERAL TOL IS ±0.25

<small>THIS DRAWING IS A CONTROLLED DOCUMENT FOR TYCO ELECTRONICS CORPORATION. IT IS SUBJECT TO CHANGE AND THE CONTROLLING ENGINEERING ORGANIZATION SHOULD BE CONTACTED FOR THE LATEST REVISION.</small>		DWN	J.ZHANG	20APR2005	Tyco Electronics Shanghai, CHINA	
DIMENSIONS: mm		CHK	M.SHINDO	20APR2005		
		APVD	M.SHINDO	20APR2005		
TOLERANCES UNLESS OTHERWISE SPECIFIED: 0 PLC ±- 1 PLC ± 2 PLC ± 3 PLC ± 4 PLC ± ANGLES ±-		PRODUCT SPEC	NAME			
MATERIAL -		APPLICATION SPEC			FORWARD-REVERSE TOOL HANDLE SW.	
FINISH -		WEIGHT -			SIZE	RESTRICTED TO
		CUSTOMER DRAWING			A3	-
					CAGE CODE	00779
					DRAWING NO	©=1520279
					SCALE	2:1
					SHEET	2 OF 5
					REV	A

THIS DRAWING IS UNPUBLISHED.
 RELEASED FOR PUBLICATION
 © COPYRIGHT 20 BY TYCO ELECTRONICS CORPORATION. ALL RIGHTS RESERVED.

LOC ES
 DIST 00

REVISIONS					
P	LTR	DESCRIPTION	DATE	DWN	APVD
	-	SEE SHEET 1	-	-	-



NOTES:

- USE BRUSH CONTACT "TAB LOK" AMP P/N 62008 FOR TERMINAL CONNECTIONS OF THE SWITCH.
- SWITCH RATING 12A-125 VAC, 6A-250VAC
- GENERAL TOL IS ±0.25

<small>THIS DRAWING IS A CONTROLLED DOCUMENT FOR TYCO ELECTRONICS CORPORATION. IT IS SUBJECT TO CHANGE AND THE CONTROLLING ENGINEERING ORGANIZATION SHOULD BE CONTACTED FOR THE LATEST REVISION.</small>		DWN J.ZHANG 27APR2005	Tyco Electronics Shanghai, CHINA	
		CHK K.OOISHI 27APR2005		
		APVD M.SHINDO 27APR2005	NAME HI-LD SPEED TOOL HANDLE SWITCH	
DIMENSIONS: mm 		PRODUCT SPEC -	RESTRICTED TO -	
TOLERANCES UNLESS OTHERWISE SPECIFIED: 0 PLC ±- 1 PLC ±- 2 PLC ±- 3 PLC ±- 4 PLC ±- ANGLES ±-		APPLICATION SPEC -	SIZE A3	CAGE CODE 00779
MATERIAL -		WEIGHT -	DRAWING NO ©=1520279	
		CUSTOMER DRAWING	SCALE 2:1	SHEET 3 OF 5
				REV A

4

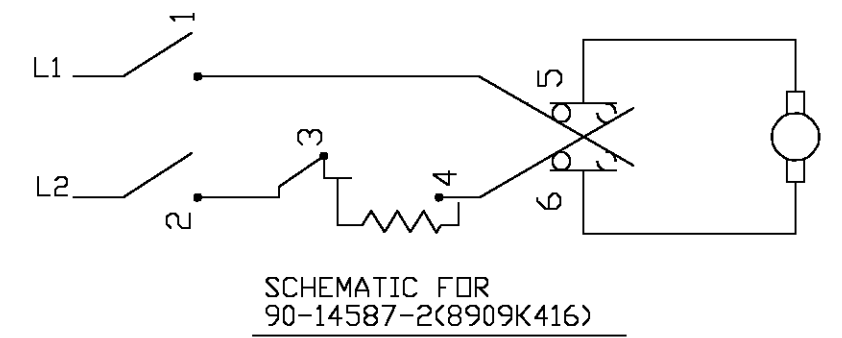
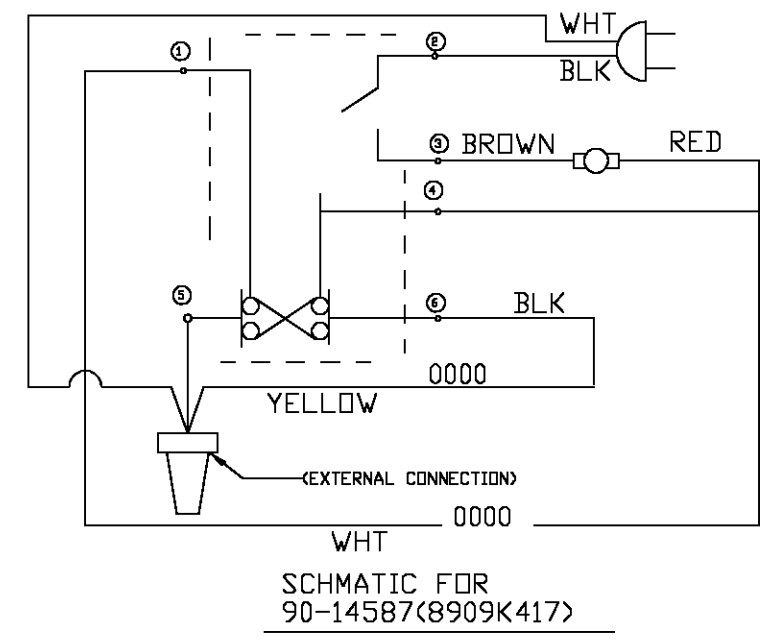
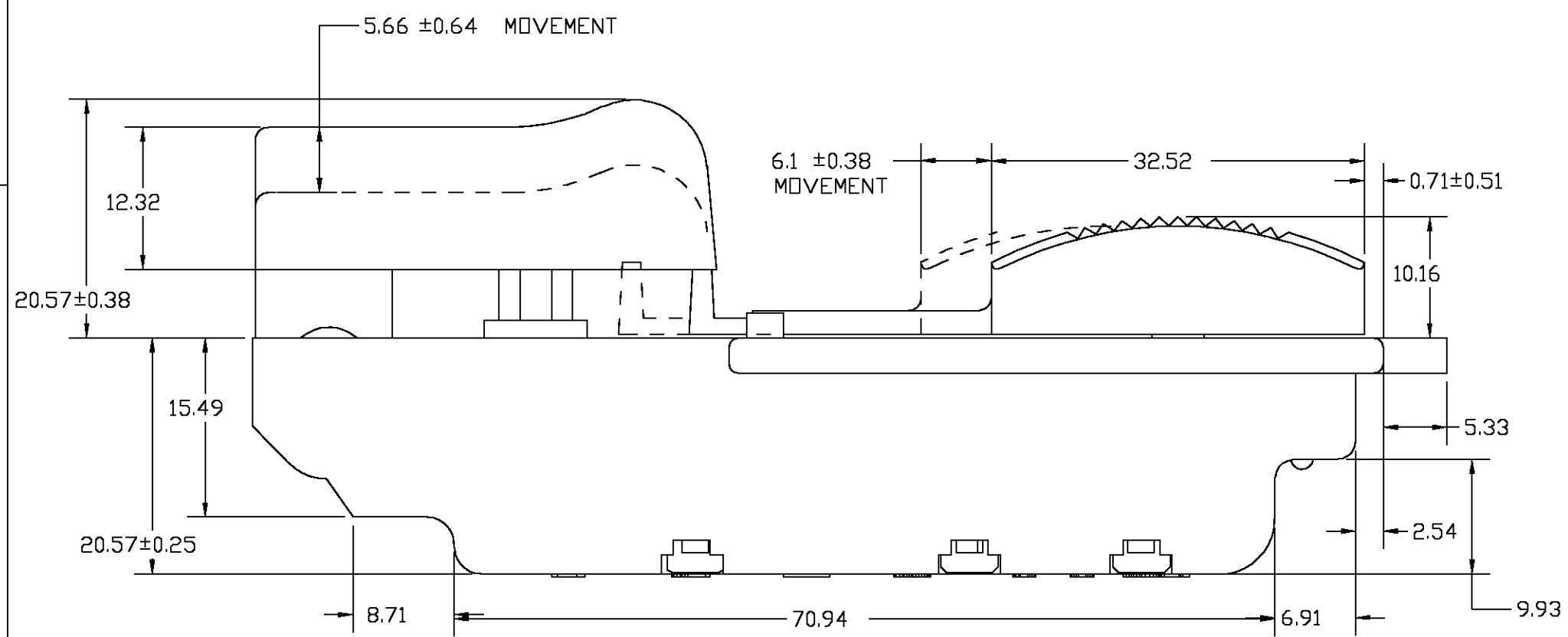
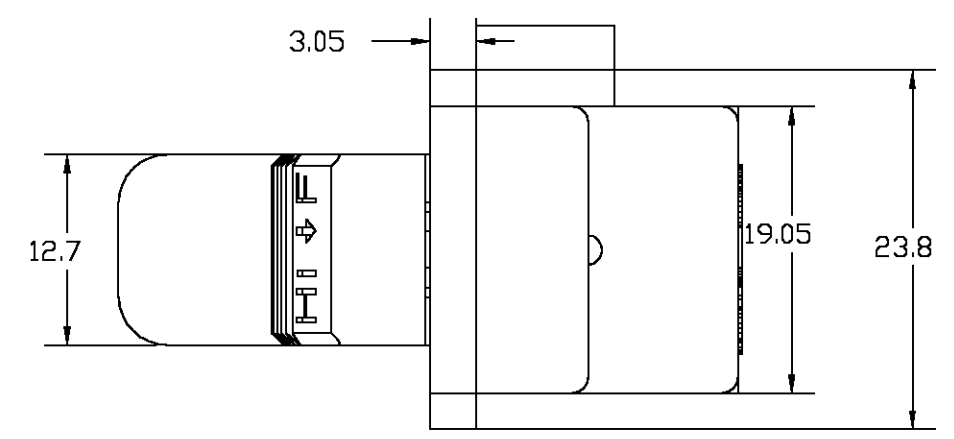
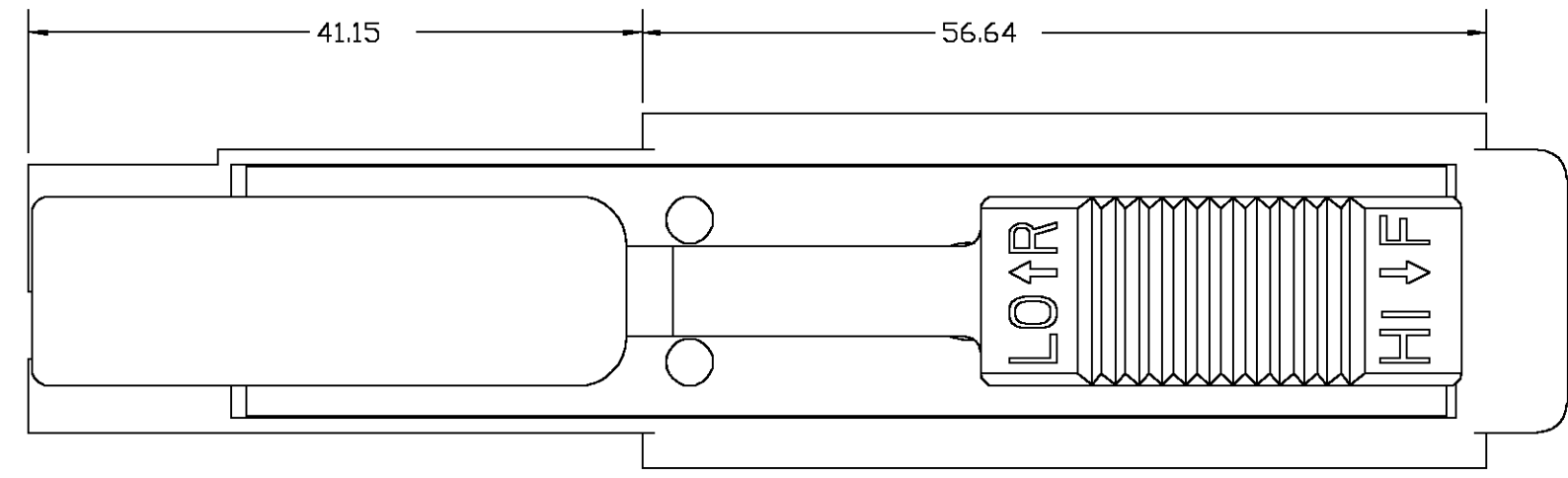
3

2

1

THIS DRAWING IS UNPUBLISHED. RELEASED FOR PUBLICATION 20
 © COPYRIGHT 20 BY TYCO ELECTRONICS CORPORATION. ALL RIGHTS RESERVED.

LOC		DIST		REVISIONS					
ES		00		P	LTR	DESCRIPTION	DATE	DWN	APVD
				SEE SHEET 1					



NOTE:

- USE BRUSH CONTACT "TAB LOK" AMP P/N 62008 FOR TERMINAL CONNECTIONS OF THE SWITCH.
- SWITCH RATING 12A-125 VAC, 6A-250VAC
- ±0.25 TOL. ON ALL DIMS UNLESS NOTED OTHERWISE

1520279-7	90-14587-2	8909K416-BLACK COVER
1520279-8	90-14587	8909K417-RED COVER
TYCO NO	EATON NO	DESCRIPTION

THIS DRAWING IS A CONTROLLED DOCUMENT FOR TYCO ELECTRONICS CORPORATION. IT IS SUBJECT TO CHANGE AND THE CONTROLLING ENGINEERING ORGANIZATION SHOULD BE CONTACTED FOR THE LATEST REVISION.

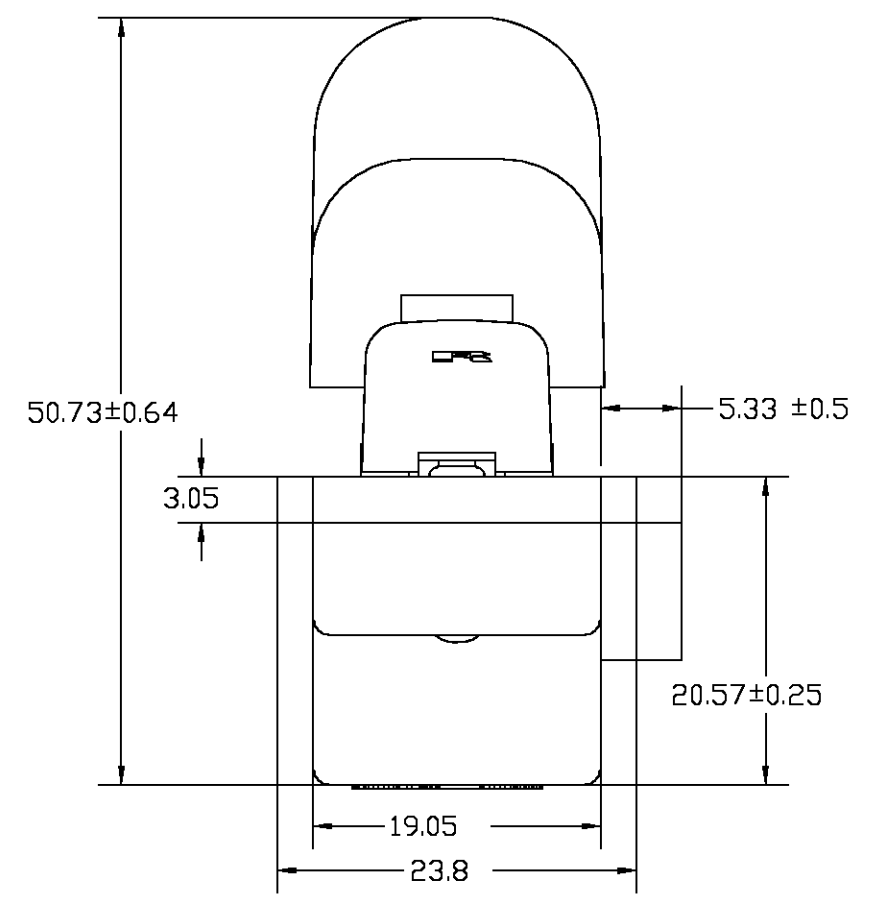
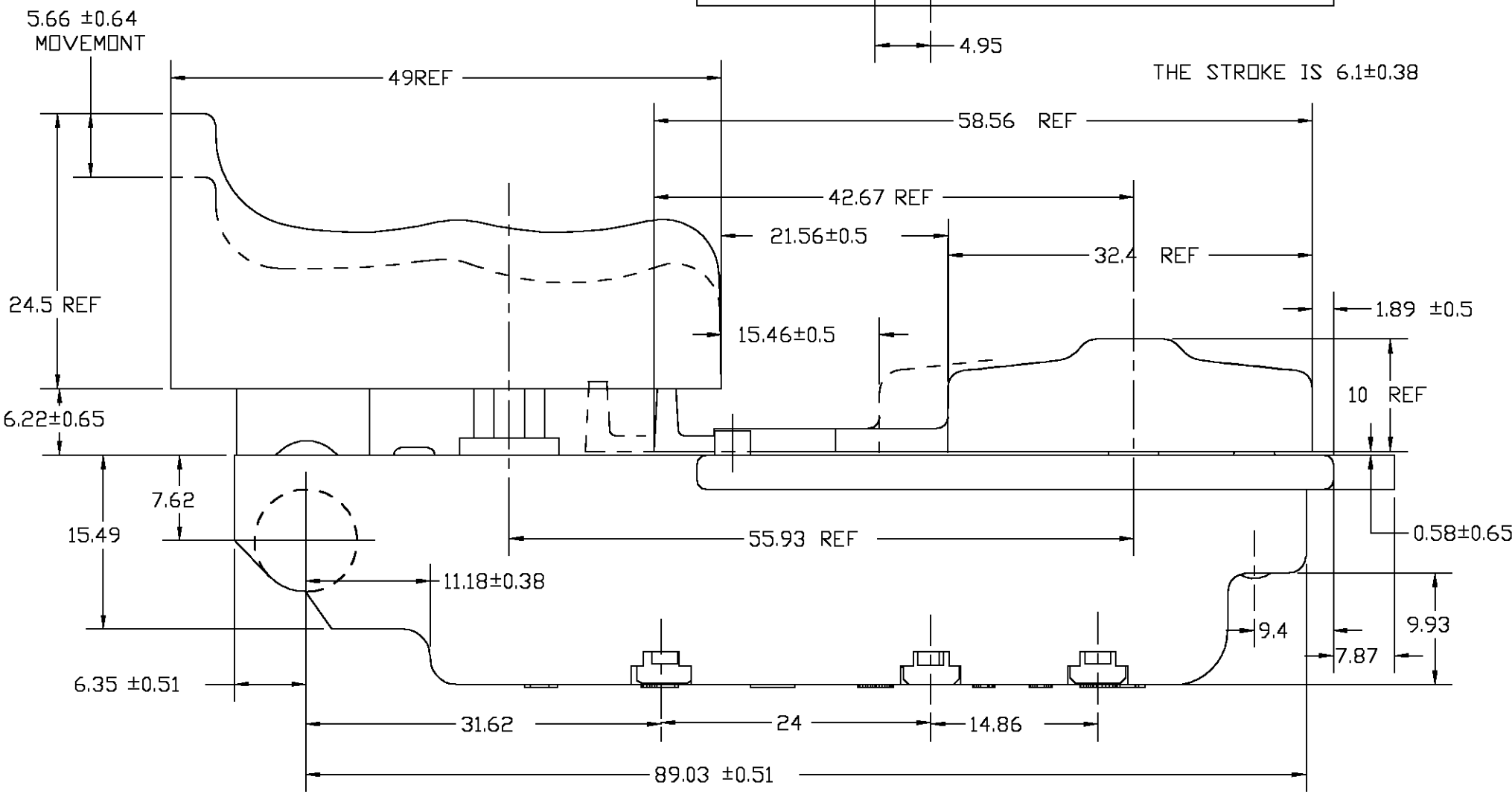
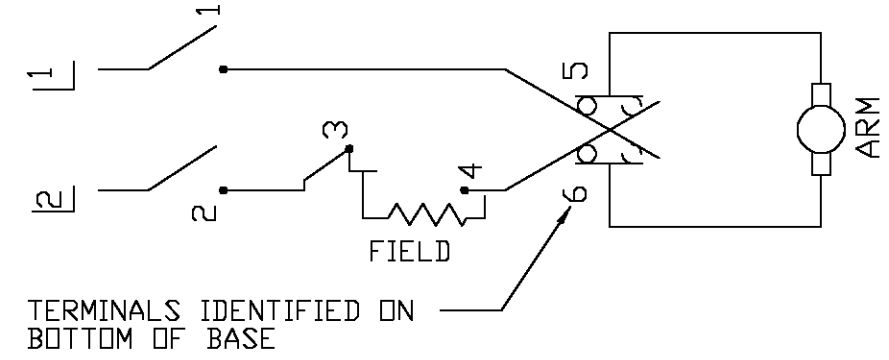
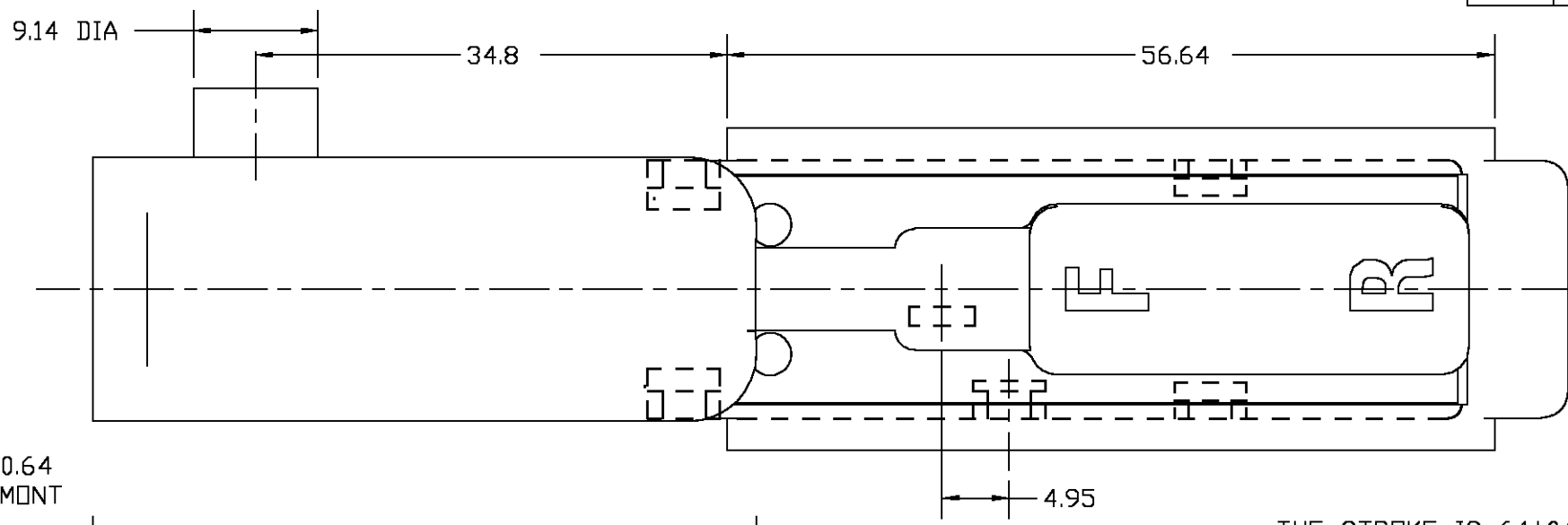
DIMENSIONS:	TOLERANCES UNLESS OTHERWISE SPECIFIED:
mm	
	0 PLC ±-
	1 PLC ±-
	2 PLC ±-
	3 PLC ±-
	4 PLC ±-
	ANGLES ±-
MATERIAL	FINISH
-	-

DWN	J.ZHANG	27APR2005	Tyco Electronics Shanghai, CHINA
CHK	K.OOISHI	27APR2005	
APVD	M.SHINDO	27APR2005	
PRODUCT SPEC			NAME
APPLICATION SPEC			FORWARD-REVERSE TOOL HANDLE SWITCH
SIZE	CAGE CODE	DRAWING NO	RESTRICTED TO
A3	00779	©=1520279	-
CUSTOMER DRAWING		SCALE	SHEET
		2:1	4 OF 5
			REV
			A

THIS DRAWING IS UNPUBLISHED. RELEASED FOR PUBLICATION 20
 © COPYRIGHT 20 BY TYCO ELECTRONICS CORPORATION. ALL RIGHTS RESERVED.

LOC ES DIST 00

REVISIONS					
P	LTR	DESCRIPTION	DATE	DWN	APVD
	-	SEE SHEET 1	-	-	-



- NOTE:
1. OUTSIDE SURFACE OF TRIGGER AND BUTTON: (COLOR CODE: MATTE BLACK TEXTURE: MOLD-TECH MT-11010)
 2. USE BRUSH CONTACT "TAB LOK" AMP P/N 62008 FOR TERMINAL CONNECTIONS OF THE SWITCH.
 3. SWITCH RATING 12A-125 VAC, 6A-250VAC
 4. GENERAL TOL IS 0.25mm
 5. THE OPERATION FORCE OF TRIGGER: 3.0Kg~6.0Kg
 6. THE OPERATION FORCE OF SLIDE BUTTON: 1.0Kg~4.0Kg

<small>THIS DRAWING IS A CONTROLLED DOCUMENT FOR TYCO ELECTRONICS CORPORATION IT IS SUBJECT TO CHANGE AND THE CONTROLLING ENGINEERING ORGANIZATION SHOULD BE CONTACTED FOR THE LATEST REVISION.</small>		DWN J.ZHANG 27APR2005	Tyco Electronics Shanghai, CHINA	NAME CLASSIC INDUSTRIAL COMB. SWITCH WITH NEW TRIGGER AND BUTTON
DIMENSIONS: mm		CHK K.OOISHI 27APR2005		
TOLERANCES UNLESS OTHERWISE SPECIFIED: 0 PLC ±- 1 PLC ±- 2 PLC ±- 3 PLC ±- 4 PLC ±- ANGLES ±-		APVD M.SHINDO 27APR2005	SIZE A3 CAGE CODE 00779 DRAWING NO ©=1520279 RESTRICTED TO -	
MATERIAL - FINISH -		PRODUCT SPEC -	APPLICATION SPEC -	
		WEIGHT -	CUSTOMER DRAWING SCALE 2:1 SHEET 5 OF 5 REV A	