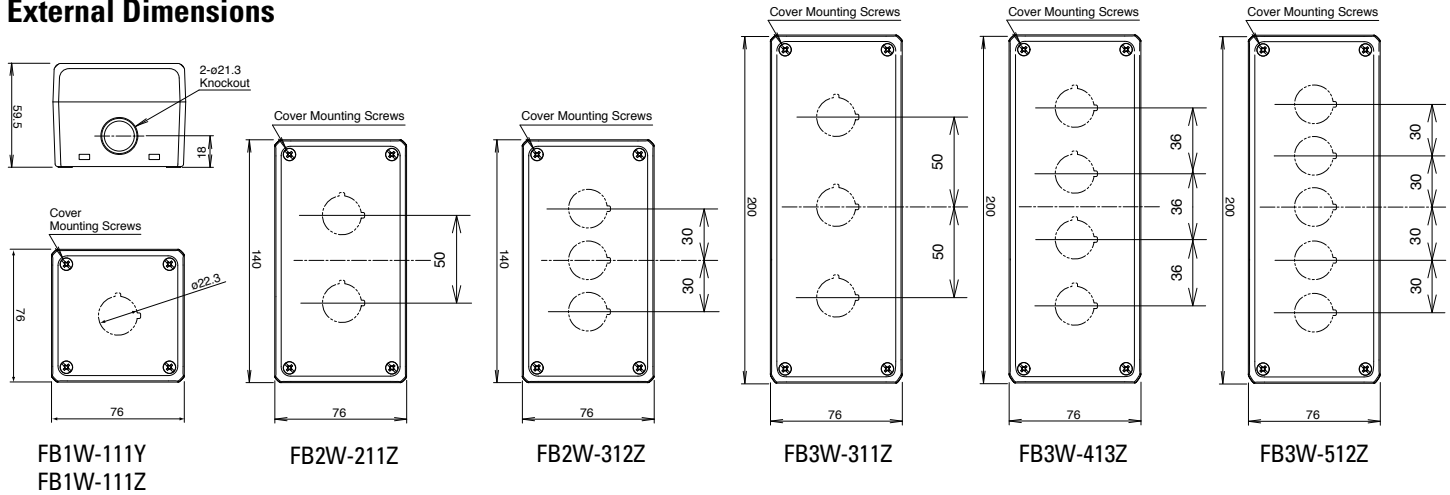
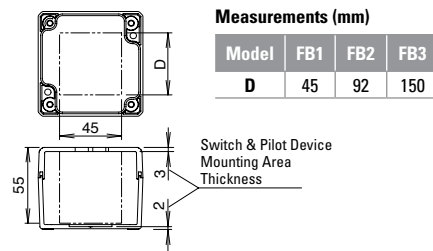


External Dimensions



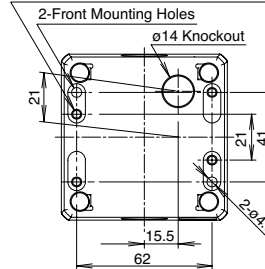
Internal Dimensions



External Back Dimensions

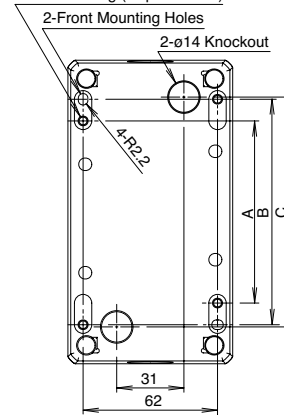
76mm (FB1)

4-M4 Tapped Holes for Rear Mounting (Depth: 10 mm)



140 and 200mm (FB2/FB3)

4-M4 Tapped Screw Holes for Rear Mounting (Depth: 10mm)

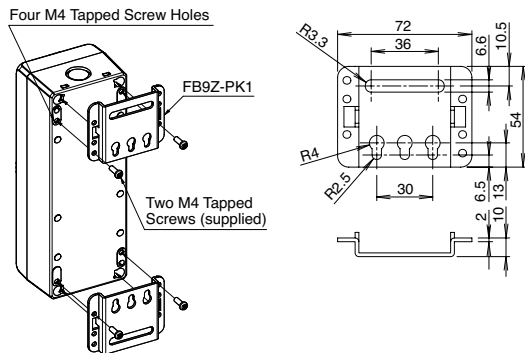


Measurements (mm)

Model	FB2	FB3
A	84	144
B	104	164
C	106	166

Mounting

FB9Z-PK1 Frame Mounting Adapter



All dimensions are in mm.

Mounting Hole Dimensions

Model	FB1	FB2	FB3	FB2/FB3
		50mm Mounting Centers	36/50mm Mounting Centers	30mm Mounting Centers
Shape				

