

THIS DRAWING IS UNPUBLISHED. RELEASED FOR PUBLICATION  
 © COPYRIGHT - ALL RIGHTS RESERVED.

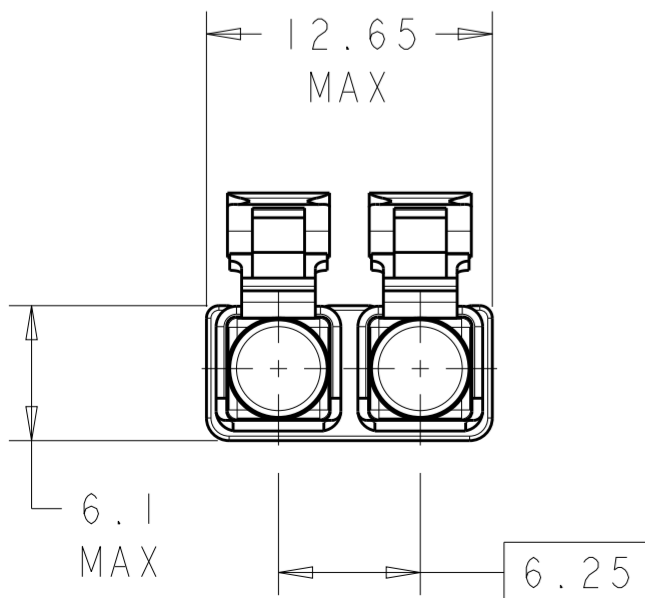
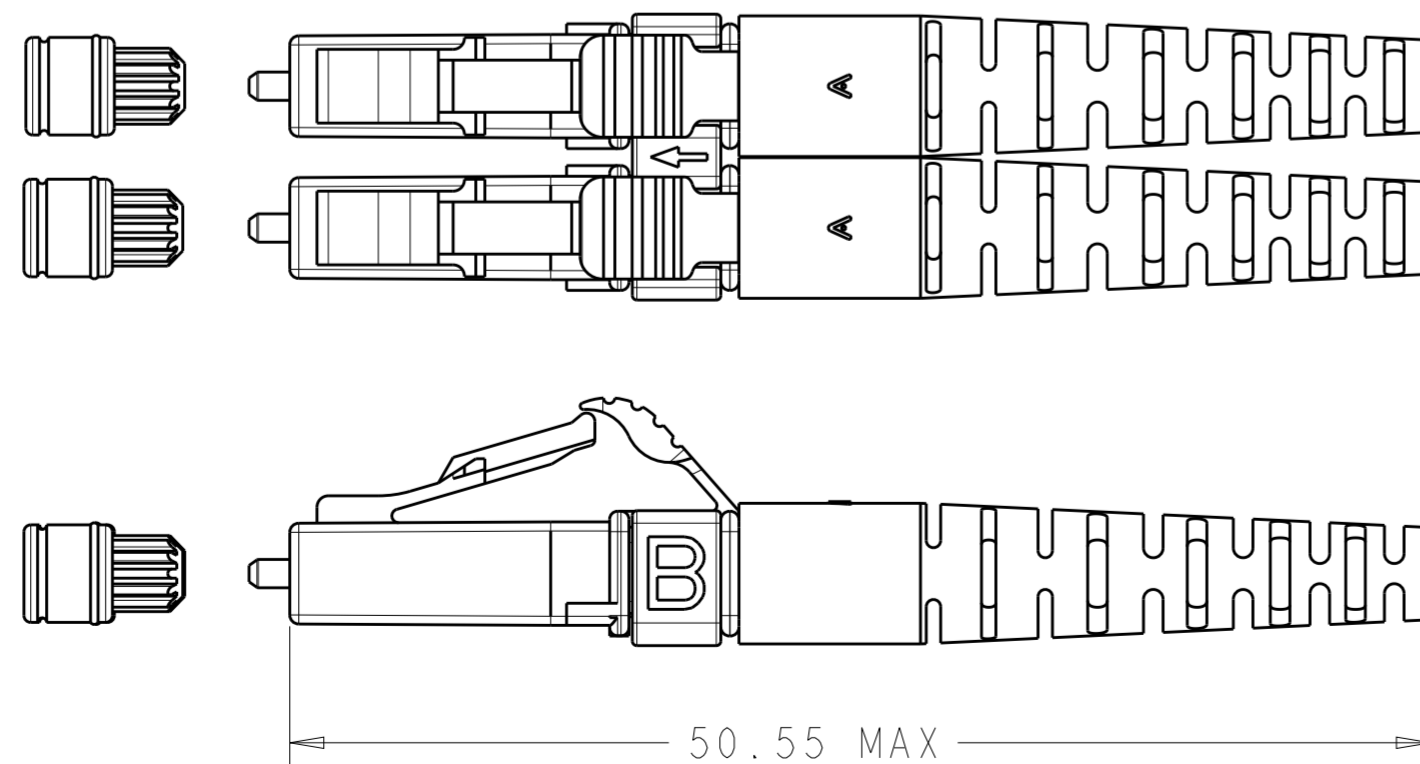
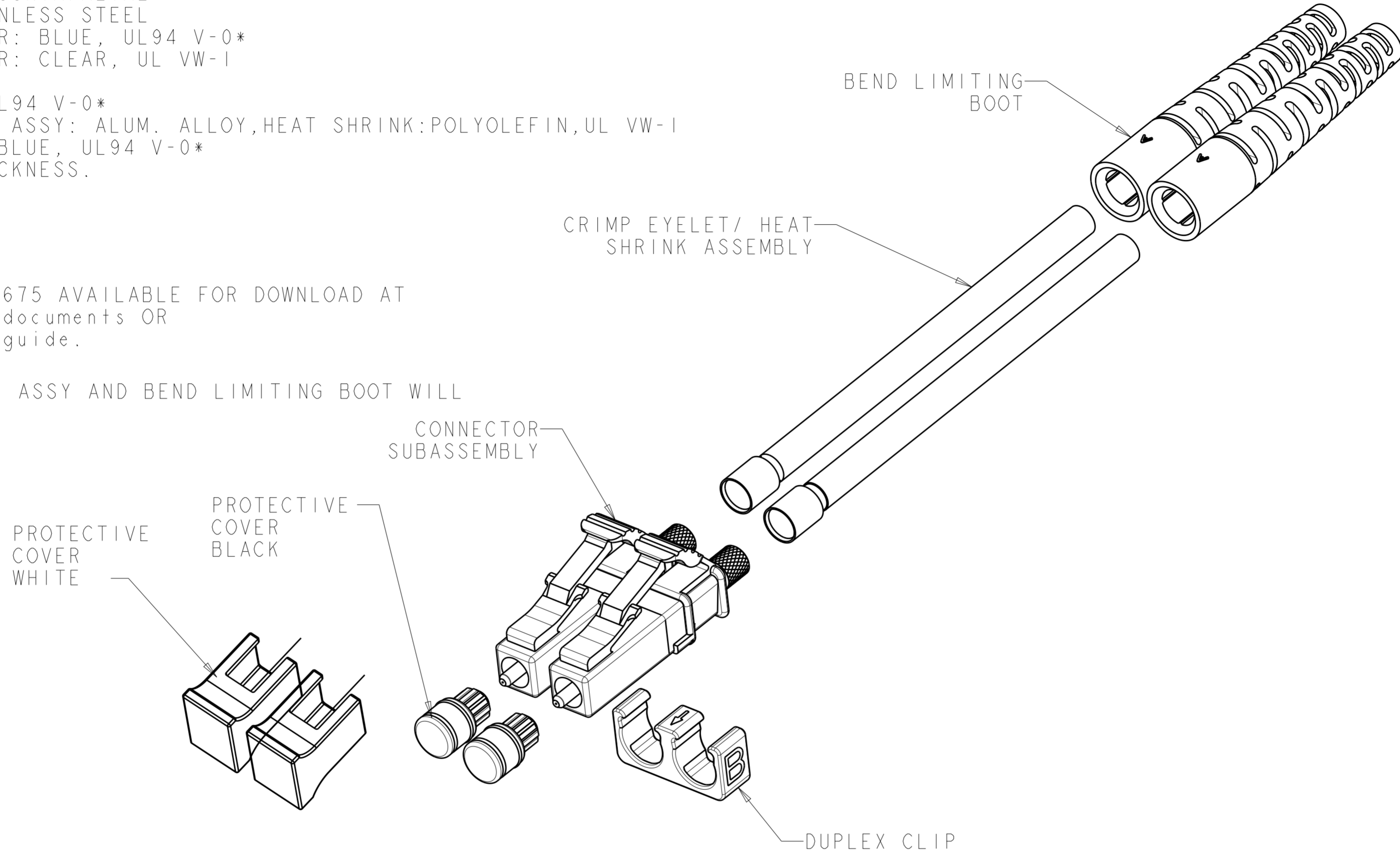
LOC	DIST	REVISIONS			
P	LTR	DESCRIPTION	DATE	DWN	APVD
HG	-				
	G	REV PER ECR-10-009660	02JUN2010	IL	CT
	H	REV PER ECR-12-013668	31JUL2012	KZ	RZ
	J	REV PER ECR-12-016587	24SEP2012	SW	RZ
	J1	ADD DASH -5	14JAN2013	SW	RZ

- 1 MATERIAL  
 PROTECTIVE COVER: TPE, COLOR: BLACK, UL94 HB\*  
 OR PP800F-T3AS, COLOR: WHITE, UL94-V0\*  
 FERRULE SUBASSEMBLY: ZIRCONIA/METAL  
 COMPRESSION SPRING: STAINLESS STEEL  
 FRONT HOUSING: PEI, COLOR: BLUE, UL94 V-0\*  
 INNER TUBING: PTFE, COLOR: CLEAR, UL VW-1  
 REAR BODY: METAL  
 BOOT: PP, COLOR: BLUE, UL94 V-0\*  
 CRIMP EYELET/HEAT SHRINK ASSY: ALUM. ALLOY, HEAT SHRINK: POLYOLEFIN, UL VW-1  
 DUPLEX CLIP: PP, COLOR: BLUE, UL94 V-0\*  
 \*RATED AT QUALIFYING THICKNESS.

2 BULK PACKAGED.

3. INSTRUCTION SHEET: 408-8675 AVAILABLE FOR DOWNLOAD AT  
[www.tycoelectronics.com/documents](http://www.tycoelectronics.com/documents) OR  
[www.ampnetconnect.com/foguide](http://www.ampnetconnect.com/foguide).

4 CRIMP EYELET/HEAT SHRINK ASSY AND BEND LIMITING BOOT WILL NOT BE INCLUDED IN -5.



4	2	BLACK	N/A	1919372-5
2	2	WHITE	YELLOW	1919372-4
2	2	BLACK	YELLOW/WHITE	1918372-3
2	2	BLACK	YELLOW	1918372-2
2	2	BLACK	YELLOW	1918372-1
		DUST COVER COLOR	HEAT SHRINK COLOR	PART NUMBER

THIS DRAWING IS A CONTROLLED DOCUMENT.

DWN	B. BRIGGS	24APR2006	TE Connectivity
CHK	D. ROHDE	24APR2006	
APVD	D. BAECHTLE	24APR2006	
PRODUCT SPEC			
DIMENSIONS: mm TOLERANCES UNLESS OTHERWISE SPECIFIED: 0 PLC ± 1 PLC ± 2 PLC ± 3 PLC ± 4 PLC ± ANGLES ± FINISH			NAME KIT, CONNECTOR, LC, DUPLEX, SM, 1.6-2.0mm JACKET
MATERIAL			SIZE A2
APPLICATION SPEC WEIGHT CUSTOMER DRAWING			CAGE CODE -
SCALE 3:1			DRAWING NO C-1918372
SHEET 1 OF 1			RESTRICTED TO -
REV J1			