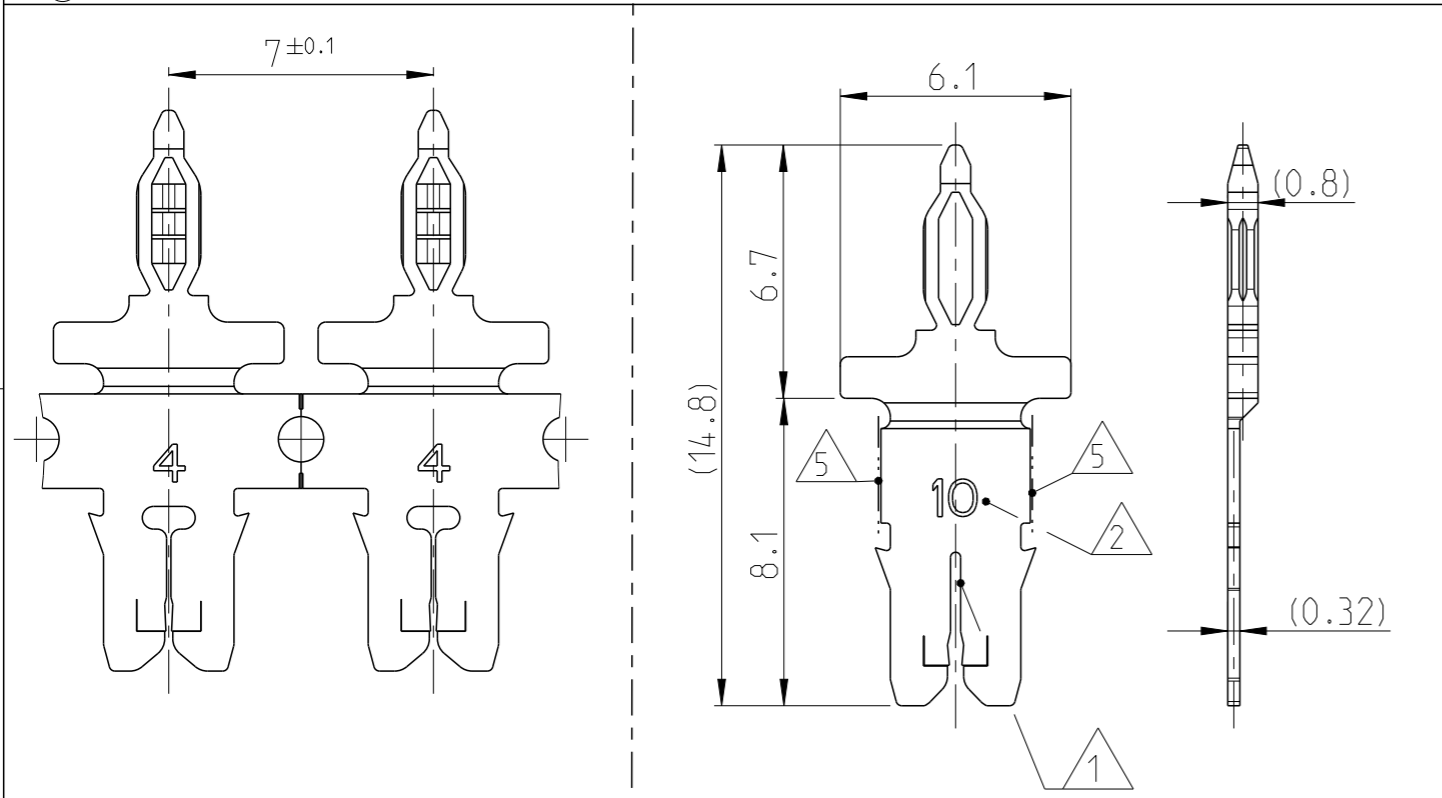
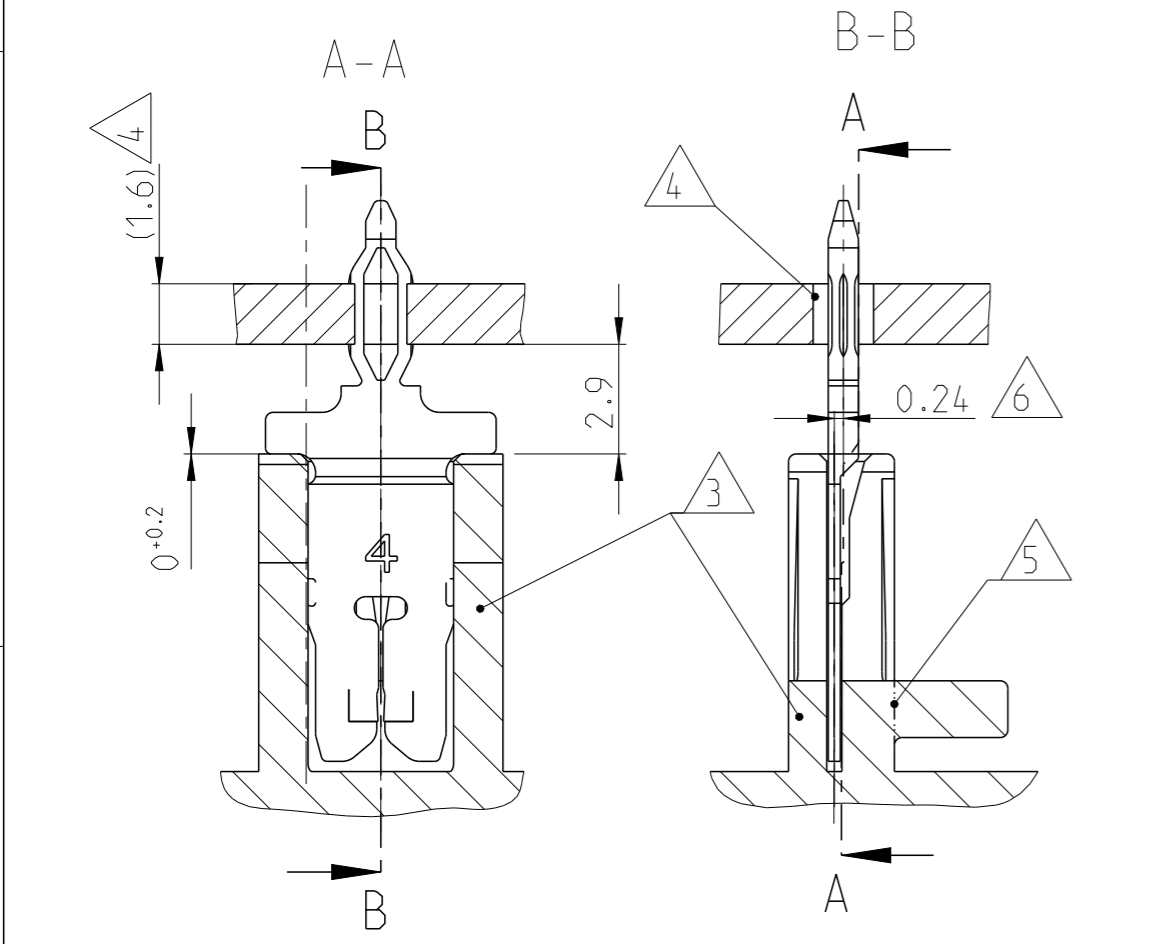


LOC	DIST	REVISIONS					
		P	LTR	DESCRIPTION	DATE	DWN	APVD
A1	-		A5	NEW PRODUCT INTRODUCTION 2825388-1	12DEC2016	BW	SV



- 1 SLOT ACCEPTS SINGLE OR DOUBLE COPPER MAGNET WIRE SAME DIAMETERS
 - 2 IDENTIFICATION NUMBER FOR MAGNET WIRE RANGE
 - 3 CONTACT CAVITY AND APPLICATION ACC. SPECIFICATION 114-94229
 - 4 PCB LAYOUT, HOLES ACC. SPECIFICATION. 108-90801
 - 5 CUTTING LINE: AREA WILL BE CUTTED OFF BY TERMINATION
 - 6 CAVITY CENTER TO HOLE CENTER
 - 7 DELIVERY STATE: STRIP ON CORRUGATED REEL WITH PAPER INTERLAYER
 - 8 TO BE APPROVED, ON DEMAND BY TE ENGINEERING
 - 9 MAX. 2 SPLICES PER REEL; SPLICES BE NOT BONDED TOGETHER
- } SEE TABLE



DIRECTION TOP OF REEL	1:1	2825388-1	IDENTIFICATION NO	DOUBLE WIRE		SINGLE WIRE		PART NO
				1 AWG BARE WIRE RANGE	1 BARE WIRE RANGE			
		24	-	19.5 - 17.5; 17	-	Ø 0.85mm to Ø 1.12mm	2120747-2	
		12	-	22.5 - 20; 19.5	-	Ø 0.63mm to Ø 0.85mm	2120746-2	
		10	26 - 23	26 - 22.5	Ø 0.4mm to Ø 0.56mm	Ø 0.4mm to Ø 0.63mm	2120745-2	
		6	29.5 - 26.5; 26	29.5 - 26.5; 26	Ø 0.265mm to Ø 0.4mm	Ø 0.265mm to Ø 0.4mm	2120744-2	
		4	33 - 30; 29.5	33 - 30; 29.5	Ø 0.18mm to Ø 0.265mm	Ø 0.18mm to Ø 0.265mm	2120743-2	

THIS DRAWING IS A CONTROLLED DOCUMENT.

DIMENSIONS: mm	TOLERANCES UNLESS OTHERWISE SPECIFIED: 0 PLC ±0.2 1 PLC ±0.2 2 PLC ±0.2 3 PLC ±0.2 4 PLC ±0.2 ANGLES ±1°	MATERIAL CuNiSi	FINISH TINNED
-------------------	--	--------------------	------------------

DWN H. Ballmert 28NOV2012	CHK B. Schnaubelt 30NOV2012	APVD T. Klenner 30NOV2012	NAME MAG-MATE Slim Line Contact with Multispring
PRODUCT SPEC 108-94366			SIZE A3
APPLICATION SPEC -			CAGE CODE 00779
WEIGHT -			DRAWING NO C-2120743

Customer Drawing

SCALE 5:1 SHEET 1 OF 1 REV A5