

4

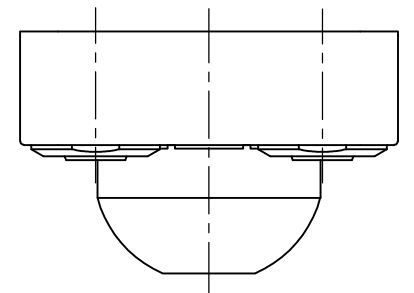
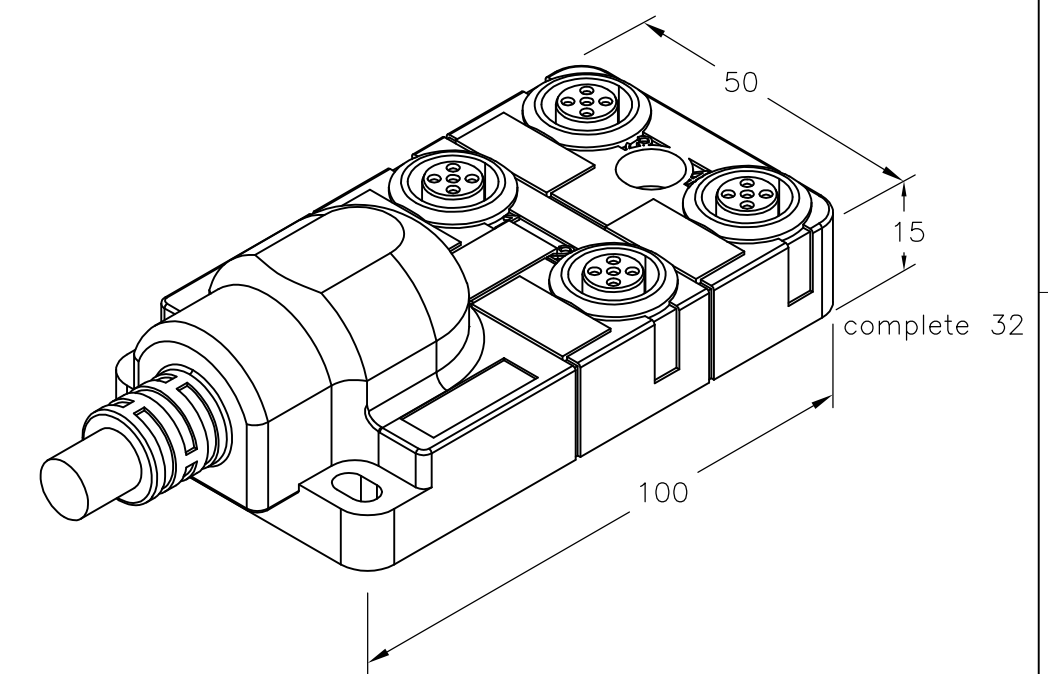
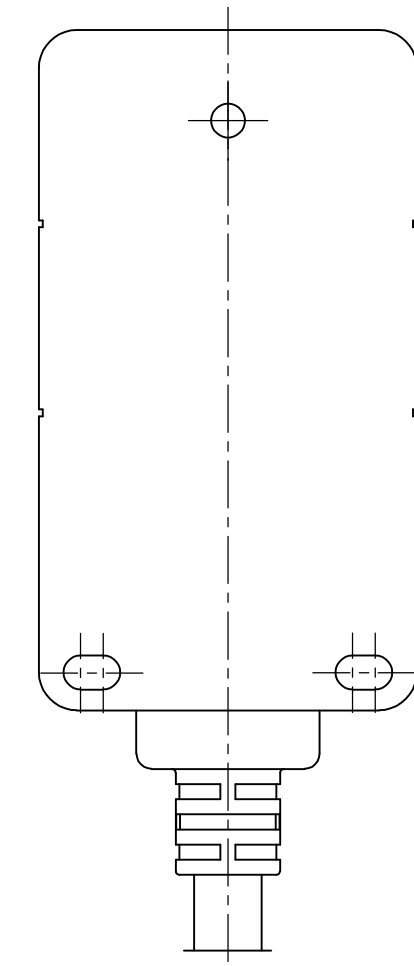
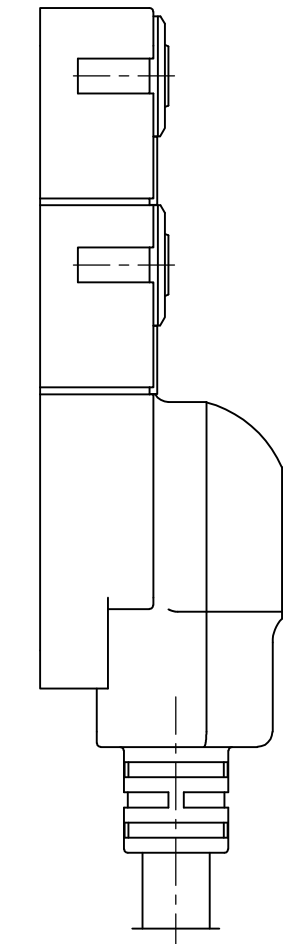
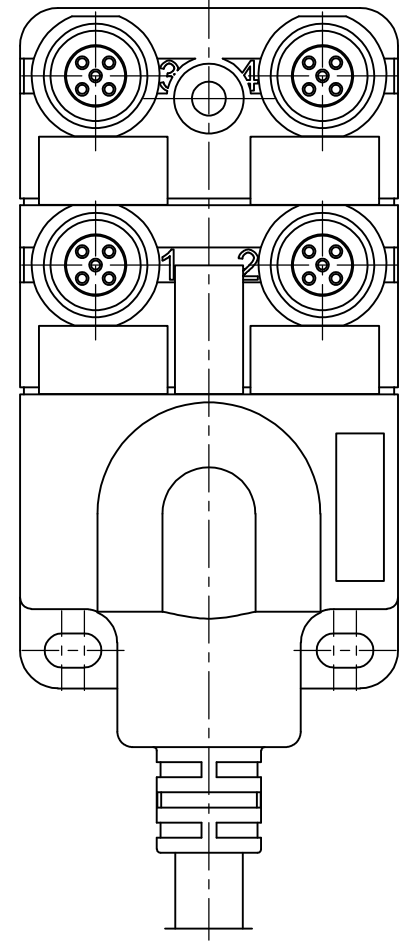
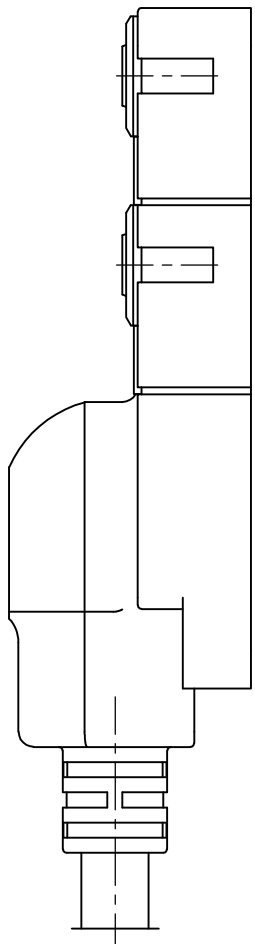
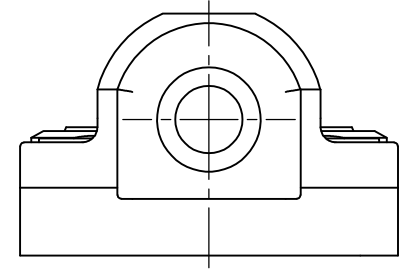
3

2


1

THIS DRAWING IS UNPUBLISHED. RELEASED FOR PUBLICATION
 © COPYRIGHT - By - ALL RIGHTS RESERVED.

| LOC | DIST | REVISIONS | | | |
|-----|------|-------------|-----------------|-----------|---------|
| P | LTR | DESCRIPTION | DATE | DWN | APVD |
| H | - | A | INITIAL RELEASE | 16JAN2014 | GSK BvH |



| | |
|-------------------|-----------|
| PUR/PVC cable 10m | 2273150-2 |
| PUR/PVC cable 5m | 2273150-1 |
| DESCRIPTION | TE PN |

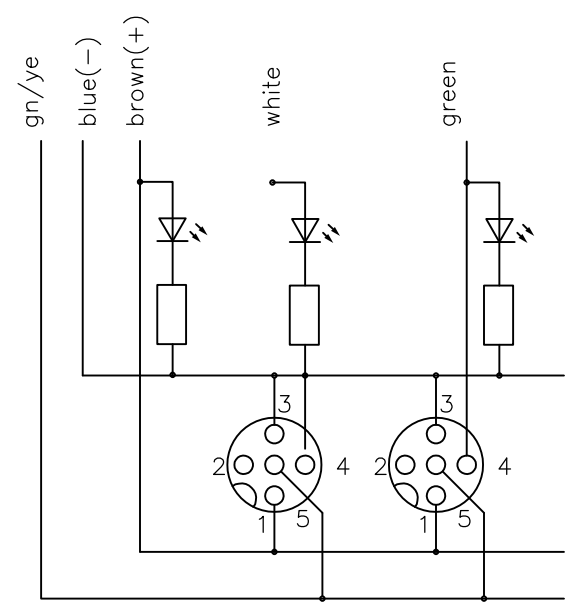
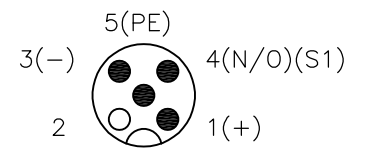
| | | | | | |
|---|--|-----------------------------------|---|--------------------|-------------------------|
| THIS DRAWING IS A CONTROLLED DOCUMENT. | | DWN 16JAN2014 SATHISH KUMAR .G |  TE Connectivity | | |
| DIMENSIONS: mm | | CHK 16JAN2014 B.VELDHOVEN | | | |
| TOLERANCES UNLESS OTHERWISE SPECIFIED: | | APVD 16JAN2014 A.VAN ZANDVOORT | NAME DISTR BOX M12 4POS 4WAY PNP | | |
| 0 PLC ± - 1 PLC ± - 2 PLC ± - 3 PLC ± - 4 PLC ± - ANGLES ± - | | PRODUCT SPEC - | - | | |
| MATERIAL - | | FINISH - | APPLICATION SPEC - | - | |
| | | WEIGHT - | SIZE A3 | CAGE CODE 00779 | DRAWING NO C-2273150 |
| CUSTOMER DRAWING | | | RESTRICTED TO - | SCALE NTS | SHEET 1 OF 2 |
| | | | REV A | | |

THIS DRAWING IS UNPUBLISHED. RELEASED FOR PUBLICATION
 © COPYRIGHT - By - ALL RIGHTS RESERVED.

| LOC | DIST | REVISIONS | | | |
|-----|------|-------------|------|-----|------|
| P | LTR | DESCRIPTION | DATE | DWN | APVD |
| H | - | SEE SHEET 1 | - | - | - |

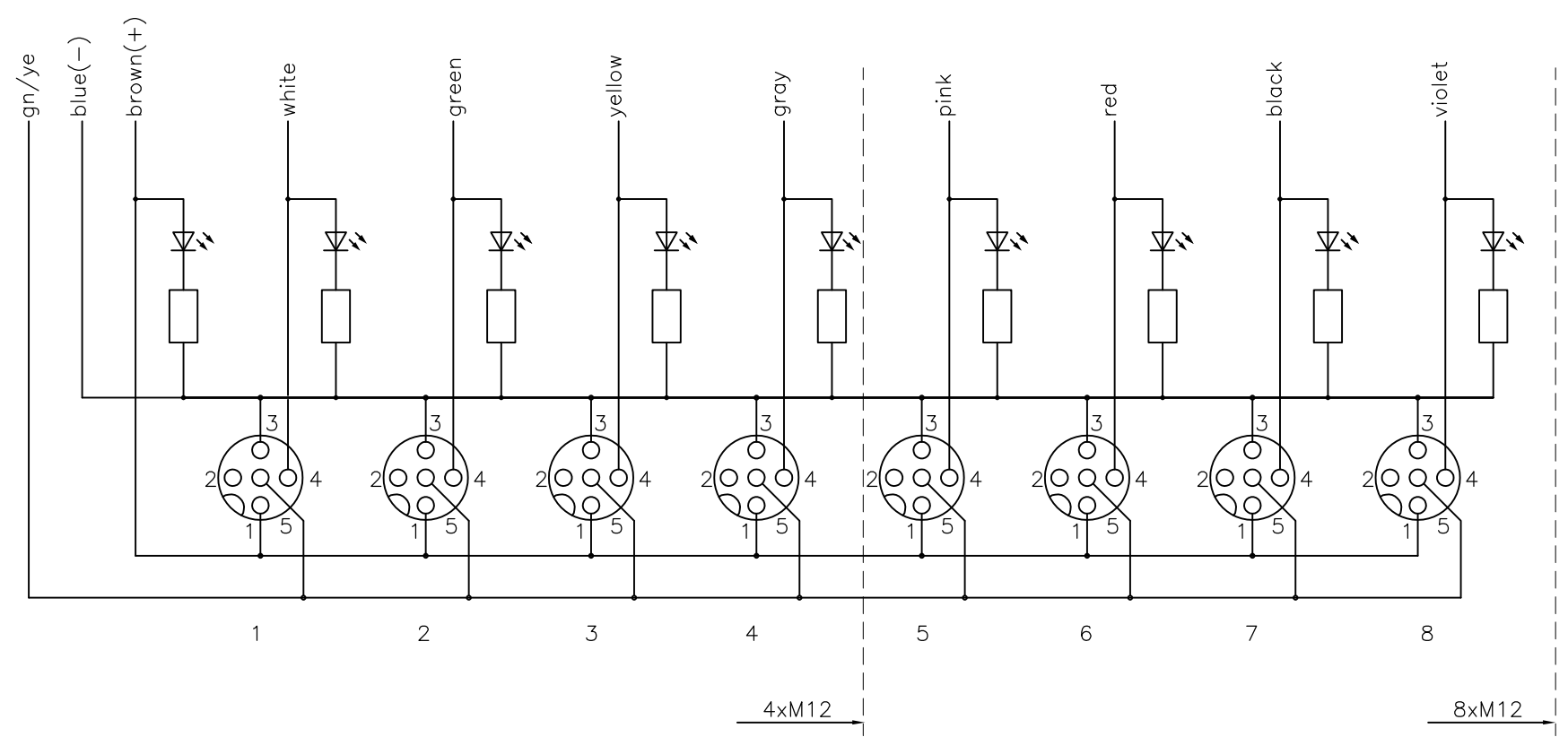
Contact layout

M12-Females 4-pole



for 1 Signal per port

Circuit diagram



| | | | | | |
|---|--|-----------------------------------|-----------------|--------------------|-------------------------|
| THIS DRAWING IS A CONTROLLED DOCUMENT. | | DWN 16JAN2014 SATHISH KUMAR .G | TE Connectivity | | |
| DIMENSIONS: mm | | CHK 16JAN2014 B.VELDHOVEN | | | |
| TOLERANCES UNLESS OTHERWISE SPECIFIED: | | APVD 16JAN2014 A.VAN ZANDVOORT | PRODUCT SPEC | | |
| 0 PLC ± - 1 PLC ± - 2 PLC ± - 3 PLC ± - 4 PLC ± - ANGLES ± - | | APPLICATION SPEC | RESTRICTED TO | | |
| MATERIAL | | WEIGHT - | SIZE A3 | CAGE CODE 00779 | DRAWING NO C-2273150 |
| | | CUSTOMER DRAWING | SCALE NTS | SHEET 2 OF 2 | REV A |