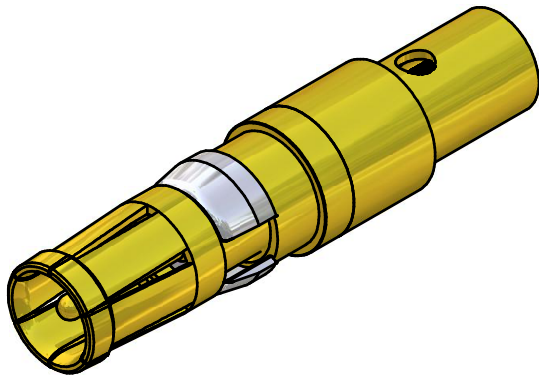


STRIPPING DIMENSIONS



Directive 2002/95/EC  
RoHS  
Compliant

**NOTES:**

1. PLATING MATING SIDE.  
INNER CONDUCTOR: min. 50µin HARD GOLD over min. 50µin NICKEL  
OUTER CONDUCTOR: min. 30µin HARD GOLD over min. 50µin NICKEL
2. FOR CABLE S2

|   |        |
|---|--------|
| APPROVAL # FREIGABE # DEBLOCAGE # AUTORIZACION # APPROVAL |        |
| CUSTOMER APPROVAL DATE:                                   |        |
| NAME:   | TITLE: |
| COMPANY NAME:   |        |
| APPROVAL # FREIGABE # DEBLOCAGE # AUTORIZACION # APPROVAL |        |

THIS DRAWING MAY NOT BE COPIED OR REPRODUCED IN ANY WAY, AND MAY NOT BE PASSED ON TO A THIRD PARTY WITHOUT WRITTEN PERMISSION. OWNERSHIP AND COPYRIGHT OF CONEC GmbH DO NOT ALTER CAD DRAWING BY HAND

| rev. | description | date | name |
|------|-------------|------|------|
| a    | Origin      |      |      |

| tolerance        | dim. in mm |
|------------------|------------|
| date             | name       |
| drawn 20.04.2009 | Sonnenberg |
| appd. 20.04.2009 | Fischer    |
| norm             |            |
| d-old            |            |

|           |   |        |
|-----------|---|--------|
| scale:    | 10:1 (5:1)                                      |        |
| material: |   |        |
| title:    | COAXIAL CONTACT FEMALE 50 OHM                   |        |
|           | inner conductor for solder termination          |        |
|           | outer conductor for crimp or solder termination |        |
| dwg no:   | Inventor 10                                     | DIN-A3 |
|           | 13K2A031A                                       | sh: 1  |
| part no:  | 132J20059X                                      |        |

