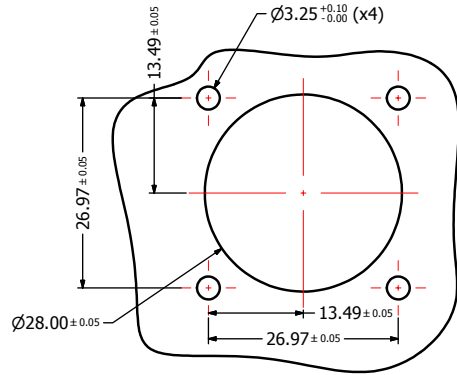
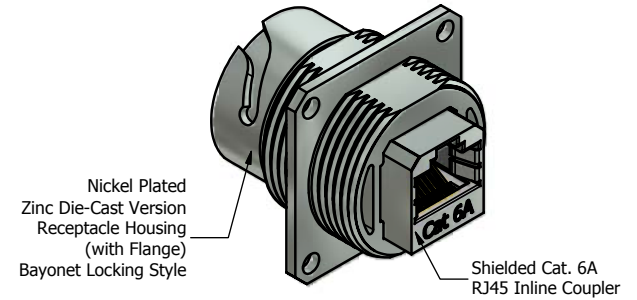
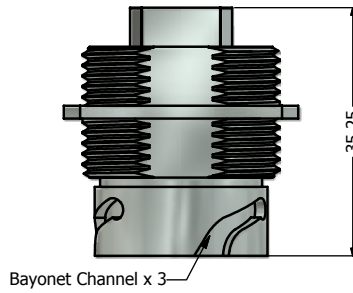
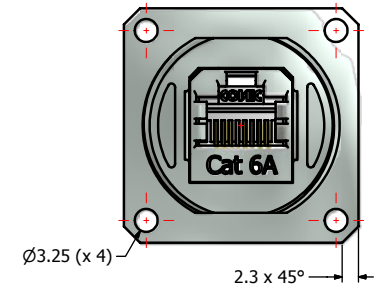
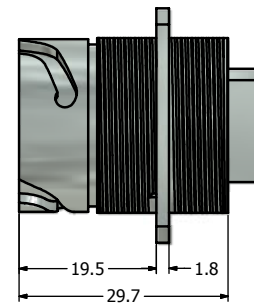
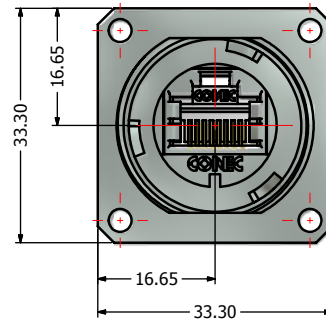


Recommended Double-D Panel Cutout



Recommended Round Panel Cutout



**Notes:**

- Electrical Specifications:
  - Meets EIA/TIA-568-B.2-10 Cat.6A Channel Specification
  - Contact Resistance: 20mOhm max.
  - Insulation Resistance: 500MOhm min. @ 100 VDC
  - Current Rating: 1.0A max. at 25° C
  - Working Voltage: 100 VDC
  - DWV: 1000 VDC/60s Contact to Contact, 1500 VDC/60s Contact to Metal Shell
  - Operating Temperature: -40° C to +85° C
- Material and Finish:
  - Receptacle Housing (with Flange): Zinc Die-Cast, Finish: Nickel Plated
  - RJ45 Jack Metal Shell: Copper Alloy, Nickel Plated
  - RJ45 Jack Plastic Housing: Glass filled PBT UL94 V-0, Color: Black
  - RJ45 Jack Contacts: Phosphor Bronze, Finish: 50u" Gold min. over Nickel
- Connector can be front or rear mounted to a maximum panel thickness of 3.2mm.
- IP67 rated when covered or fully mated with the appropriate mating connector
- RoHS compliant

Ⓢ The panel gasket (P/N: 17-103540) and the M3 mounting hardware (P/N: 17-103530) must be ordered separately, the recommended mounting torque is 12 to 14 lb-inch

Directive 2002/95/EC RoHS Compliant

THIS DRAWING MAY NOT BE COPIED, OR REPRODUCED IN ANY WAY AND MAY NOT BE PASSED ON TO A THIRD PARTY WITHOUT WRITTEN PERMISSION. OWNERSHIP AND COPYRIGHT OF CONEC CORPORATION. <b>DO NOT ALTER CAD DRAWING BY HAND</b>	Customer:			Tolerance Unless otherwise specified			Scale: NTS	Dim. in mm
	Name	Title	Approval Date	0 PLC ±0.50	1 PLC ±0.38		Autodesk Inventor	Material: See Notes
				2 PLC ±0.25	3 PLC ±0.10	2011 Date Name Draw. Jun. 06 Vincent Ke Appd. Jun. 06 J. Chaudry	Title: Jack Receptacle (with Flange)	
				Angles ±3		Norm	Assembly Kit with Cat. 6A RJ45 Coupler	
	c	1	Sep/08/2011	Vincent Ke	D-old		Nickel Plated Zinc Die-Cast Version	
b	1	Jul/12/2011	Vincent Ke			Drawing No.: 17K1A266	DIN A3	
a	original					Part No.: 17-150214	Sheet 1/1	
Rev.	Changes	Date	Name					