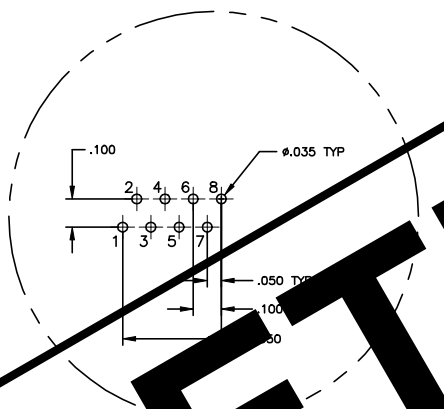
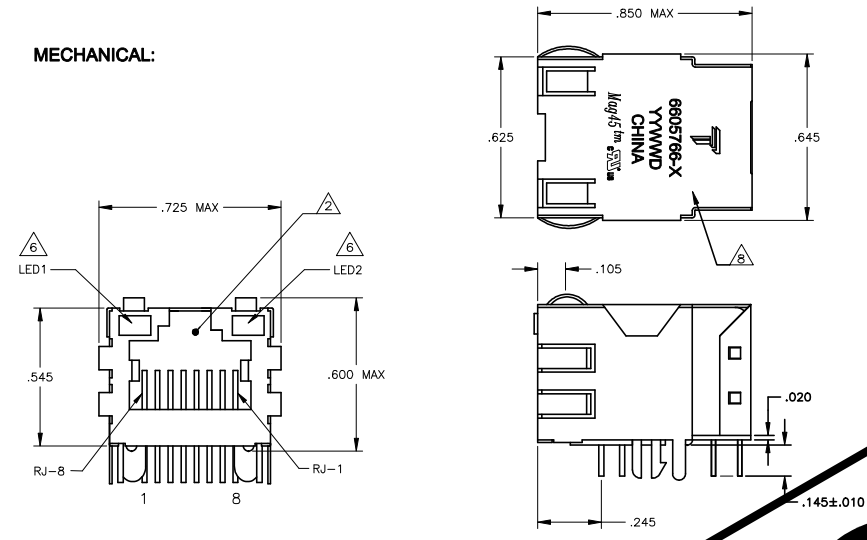


© COPYRIGHT BY TRP CONNECTOR ALL RIGHTS RESERVED.

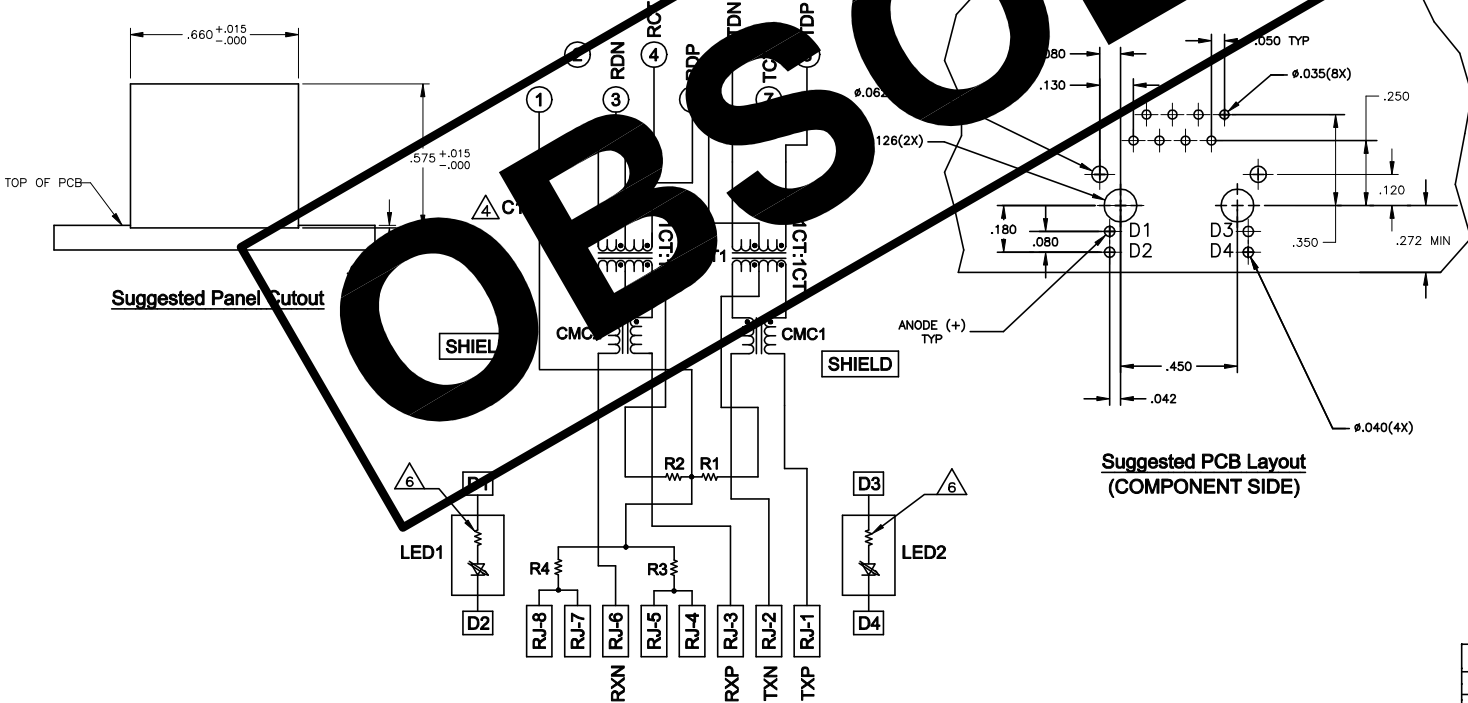
REVISIONS			
REV	DATE	BY	APP
E	14MAY2015	HY	KZ

MECHANICAL:



Pin Designations

726P7 SERIES MAGNETIC CIRCUIT



Suggested Panel Cutout

Suggested PCB Layout (COMPONENT SIDE)

C1 = 1000 pF, 2kV DECOUPLING CAPACITOR
R1-R4 = 75 OHMS, 1/16W, 5% RESISTORS

MATERIALS:
- HOUSING - THERMOPLASTIC PET POLYESTER FLAMMABILITY RATING UL 94V-0
- SHIELD - .010" THICK, C26800 BRASS PREPLATED WITH 30μINCH MIN SEMI-BRIGHT SOLDER TABS POST DIPPED WITH 100μINCH MIN SAC SOLDER.
- MOD. PCK CONTACTS - 0.0157" x 0.018" PHOSPHOR BRONZE, 50μINCH MIN OVERALL NICKEL UNDERPLATE, WITH SELECT 50μINCH MIN HARD GOLD FINISH PLATE.
- SOLDER TABS WITH 100μINCH MIN MATTE TIN AND/OR SAC SOLDER DIP.
- LIGHT EMITTING DIODE(LED) - DIFFUSED EPOXY LENS, .020" x .020" CARBON STEEL FRAME, LEADS PRE-PLATED WITH 80μINCH SILVER OVER 4.0μINCH NICKEL UNDERPLATE OVER 4.0μINCH COPPER UNDERPLATE, POST-PLATED WITH 30μINCH MIN MATTE TIN AND/OR SAC SOLDER DIP OR PURE TIN SOLDER DIP.

RJ45 JACK CAVITY CONFORMS TO FCC RULES AND REGULATIONS PART 68, SUB PART 15.209.
ELECTRICAL CHARACTERISTICS:
- IMPEDANCE: 100 OHMS
- TURN RATIO: VARIABLE TX = 11, RX = 11
- OPEN CIRCUIT VOLTAGE (OCV): 350μV MIN @100kHz, 0.1VRMS, 100μV MIN FROM 0°C TO 70°C TX AND RX
- INSERTION LOSS (IL): 1.5% MAX FROM 0.5MHz TO 100MHz
- RETURN LOSS (RL): 18dB MIN FROM 0.5MHz TO 30MHz
- 18-20LOG(f/30)dB MIN FROM 30.1MHz TO 60MHz
- 12dB MIN FROM 60.1MHz TO 80MHz
- CROSSTALK ATTENUATION: 35dB MIN FROM 0.5MHz TO 4.0MHz
- 33-20*LOG(f/50)dB MIN FROM 4.0MHz TO 100MHz
- COMMON MODE REJECTION RATIO (CMRR): 30dB MIN FROM 0.5MHz TO 100MHz
- ISOLATION VOLTAGE: 2250VDC (MAX) FOR 60 SECONDS WITH A RISE TIME OF 500V/SEC.

- △ C1 IS AN OPTIONAL. IF NOT CAPACITOR, TRACE IS CONTINUOUS
- 5. OPERATING TEMPERATURE: FROM 0° TO -70°C.
- △ THE 250 OHM LED RESISTORS ARE OPTIONAL, PLEASE SEE CHART FOR PRESENCE OR ABSENCE OF LED RESISTORS. IF THE LED WITHOUT 250 OHM RESISTORS, LED IS DRIVEN WITH CONSTANT CURRENT AT APPROX 20mA.
LED COLOR: DOMINANT WAVELENGTH (λD): GREEN 568 nm TYP. @ IF=20mA
FORWARD VOLTAGE (VF): GREEN 2.2V TYP. @ IF=20mA
DOMINANT WAVELENGTH (λD): YELLOW 588 nm TYP. @ IF=20mA
FORWARD VOLTAGE (VF): YELLOW 2.1V TYP. @ IF=20mA
DOMINANT WAVELENGTH (λD): ORANGE 605 nm TYP. @ IF=20mA
FORWARD VOLTAGE (VF): ORANGE 2.05V TYP. @ IF=20mA
IF THE LED WITH 250 OHM RESISTORS, LED IS DRIVEN WITH 5V VOLTAGE AND THE MAX OPERATING CURRENT IS 20mA.
LED COLOR : DOMINANT WAVELENGTH (λD): GREEN 568 nm TYP. @ VF=5V
FORWARD CURRENT (IF): GREEN 12 mA TYP. @ VF=5V
DOMINANT WAVELENGTH (λD): YELLOW 588 nm TYP. @ VF=5V
FORWARD CURRENT (IF): YELLOW 13 mA TYP. @ VF=5V
- △ INDICATED CONNECTIONS ARE FOR NIC CONFIRMATION. THE MAGNETICS ARE SYMMETRICAL TO SUPPORT AUTO-MDI/MDIX.
- △ TRP CONNECTOR LOGO, PART NUMBER, DATE CODE, COUNTRY OF ORIGIN AND AGENCY APPROVAL MARKING IN APPROXIMATE LOCATION SHOWN.
- 9. THESE PARTS ARE RECOMMENDED FOR WAVE SOLDERING PROCESS, PEAK WAVE SOLDERING TEMPERATURE IS 265°C, 10SECONDS MAX.

NO	YES	YELLOW	GREEN	5-6605766-9
YES	YES	GREEN	GREEN	5-6605766-1
	NO	GREEN	GREEN	1-6605766-1

LED RESISTOR	△ DECOUPLING CAPACITOR	LED1	LED2	PART NUMBER
--------------	------------------------	------	------	-------------

THIS DRAWING IS A CONTROLLED DOCUMENT. CHANGES ARE TRACKED BY DATE AND BY REVISION NUMBER.

REV	DATE	BY	APP
1	108-2100		

TRP connector
Dongguan China

726P7 SCHEMATIC, 726 SERIES CIRCUIT, WITH OPTIONAL DECOUPLING CAPACITOR, WITH LEDS

SIZE: 108-2100
REV: A100779
C=6605766

