

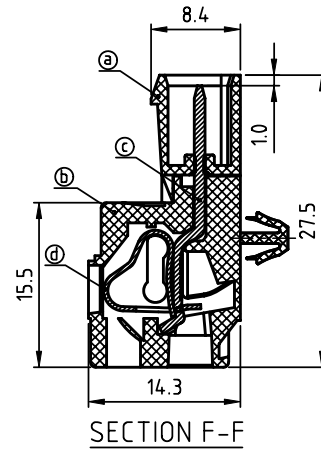
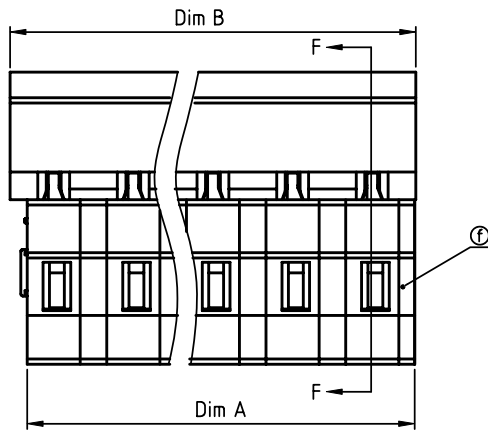
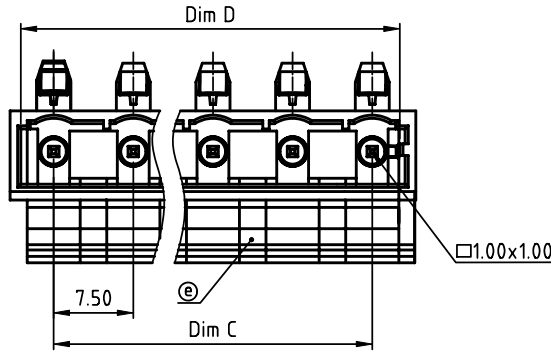
PRODUCT NUMBER	PITCH
NBxxA0x400J0G	7.50 mm

N=Number of poles
 Dim A=Nx7.5-1.0
 Dim B=Nx7.5+0.7
 Dim C=(N-1)x7.5
 Dim D=(N-1)x7.5+5.7

PART NO.: NB xx A 0 x 4 00J0 G

Solid block	0	Color	RoHS compliant
No. of poles	2	Black (RAL9005)	(lead<4%)
02 2 poles	3	Red (RAL3001/D)	In copper Alloy
03 3 poles	4	Orange(RAL2011/P)	
...	5	Yellow(RAL1018/A)	
16 16 poles	6	Green(RAL6018/T)	
	8	Blue (RAL5015/A)	
	9	Grey(RAL7035/D)	
	C	White(RAL1102)	
		Green(RAL6018/U)	

POLES	Dim A	Dim B	Dim C	Dim D
2-6p	±0.20	±0.20	±0.10	±0.10
7-12p	±0.30	±0.30	±0.20	±0.20
13-16p	±0.40	±0.40	±0.30	±0.30

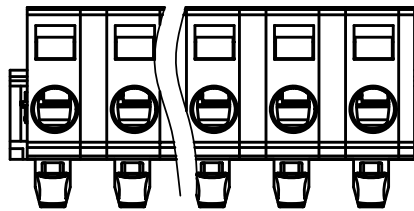


Material:

- ItemⓐTop body: Thermoplastic (UL94 V-0)
- ItemⓑBottom body: Thermoplastic (UL94 V-0)
- ItemⓒMale contact pin: Brass Tin plated
- ItemⓓSpring clamp: Stainless steel
- ItemⓔPad board:Thermoplastic(UL94V-0)
- ItemⓕTerminal cover:Thermoplastic (UL94V-0)

Electrical cULus

- Voltage rating: 300V
- Current rating: 8A
- Wire range:
- Solid wire(AWG): 12-28
- Stranded wire(AWG): 12-28
- Wire strip length: 8-9mm
- Withstanding Voltage: 1.6KV
- Operating temperature: -40°C to +115°C
- Safety Approval:



mat'l. code		surface ASME Y14.5	tolerance ASME Y14.5	projection	product family
ltr ecn no dr date		tolerances unless otherwise specified		MM	TERMINAL BLOCK
angles		X.±0.5	X.X±0.3	scale	title
X°±1"		X.XX±0.1			TERMINAL BLOCK
dr		EVIN ZHONG	051914	SPRING CLAMP, PLUGGABLE PLUG, MALE CONNECTOR	
enr		EVIN ZHONG	051914	SNAP-IN MOUNTING FEET	
chr		HANKE FENG	051914	dwg no	
appd		SHI JUN	051914	sheet 1 of 1	
sheet index		revision sheet	A 1	size	
				NBxxA0x400J0G A4	
				type	
				CUSTOMER Drawing	