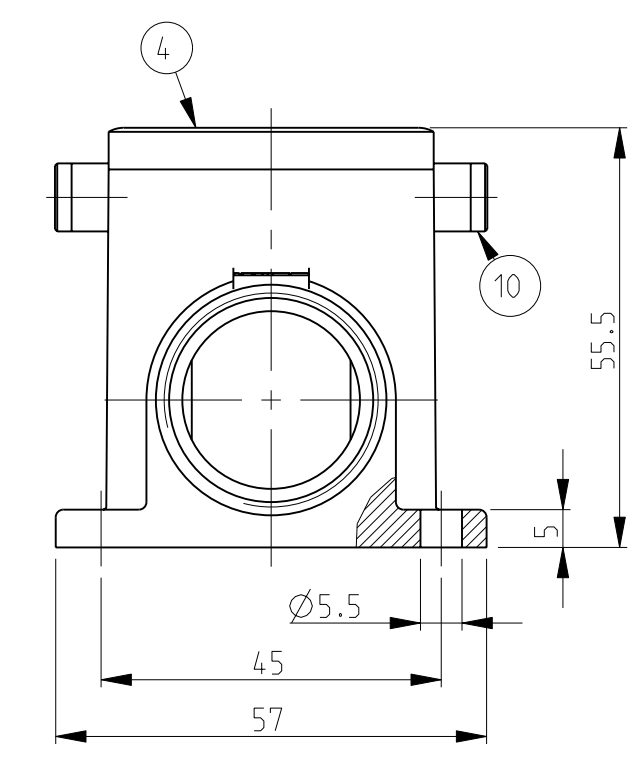
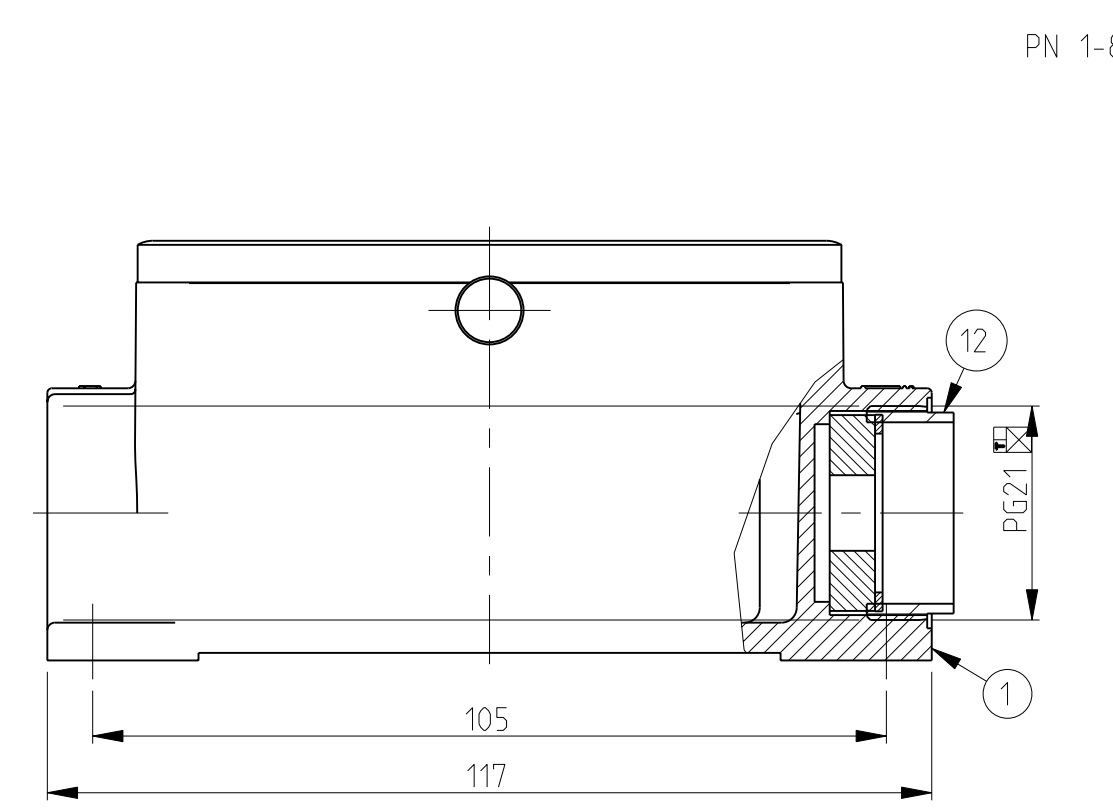
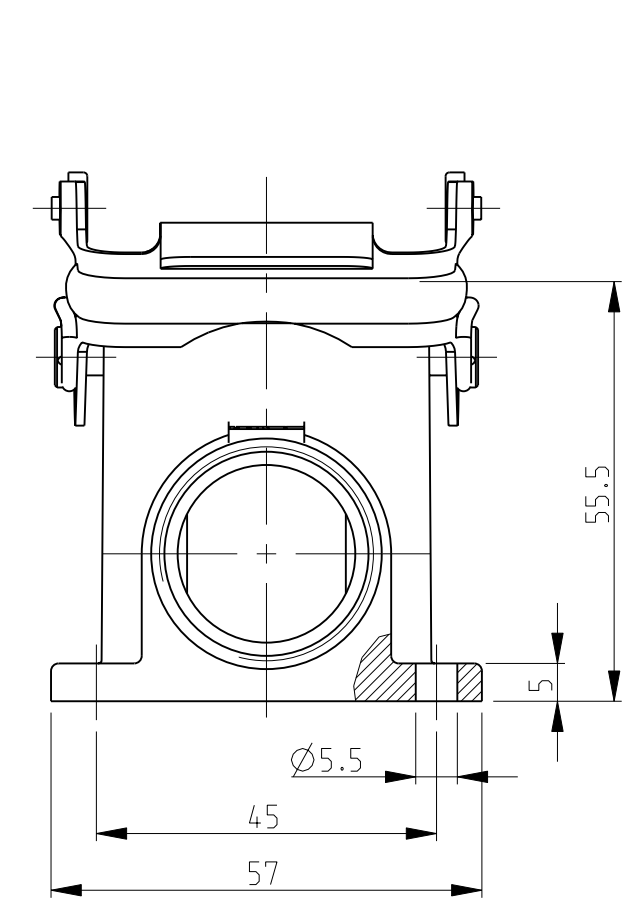
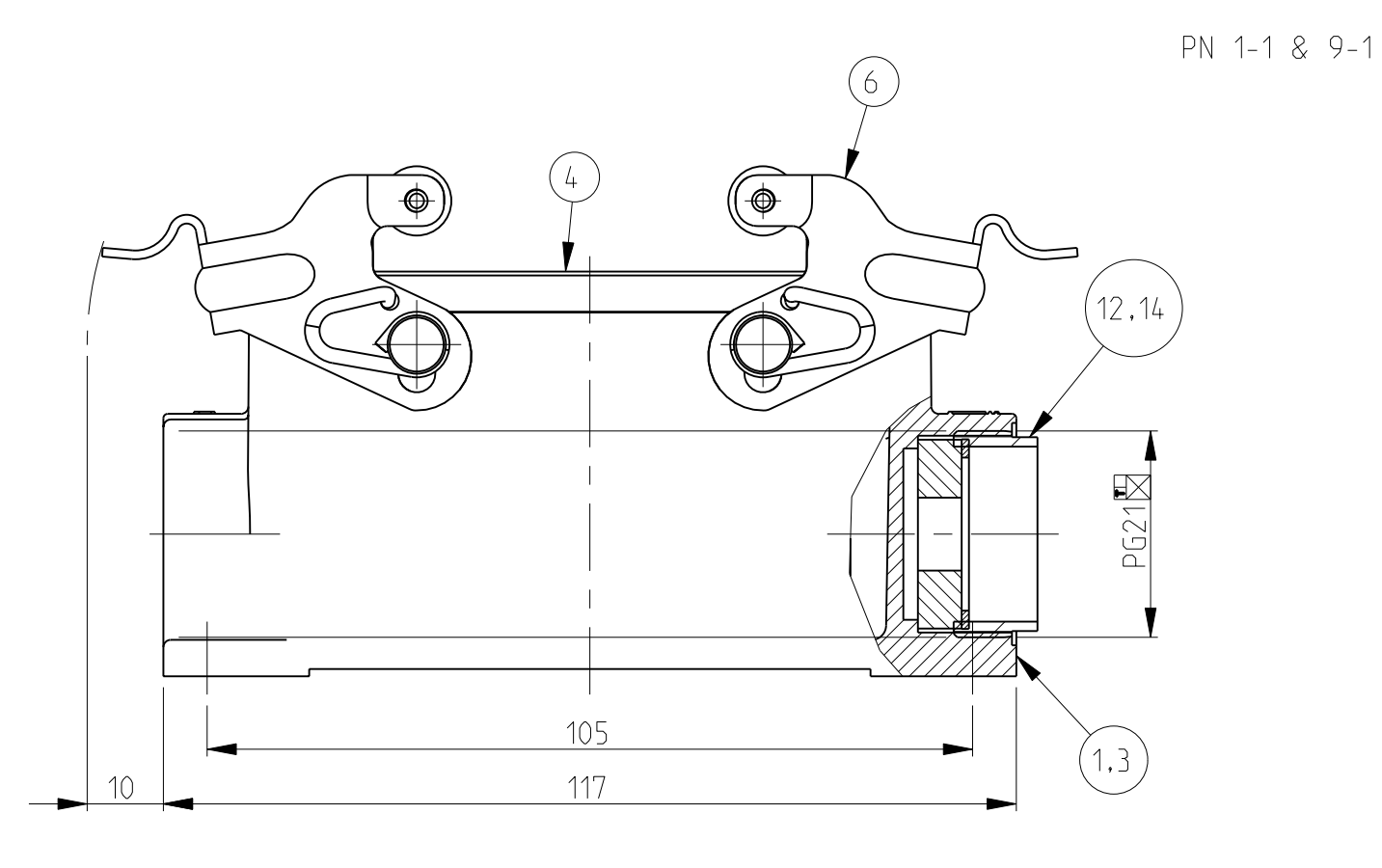
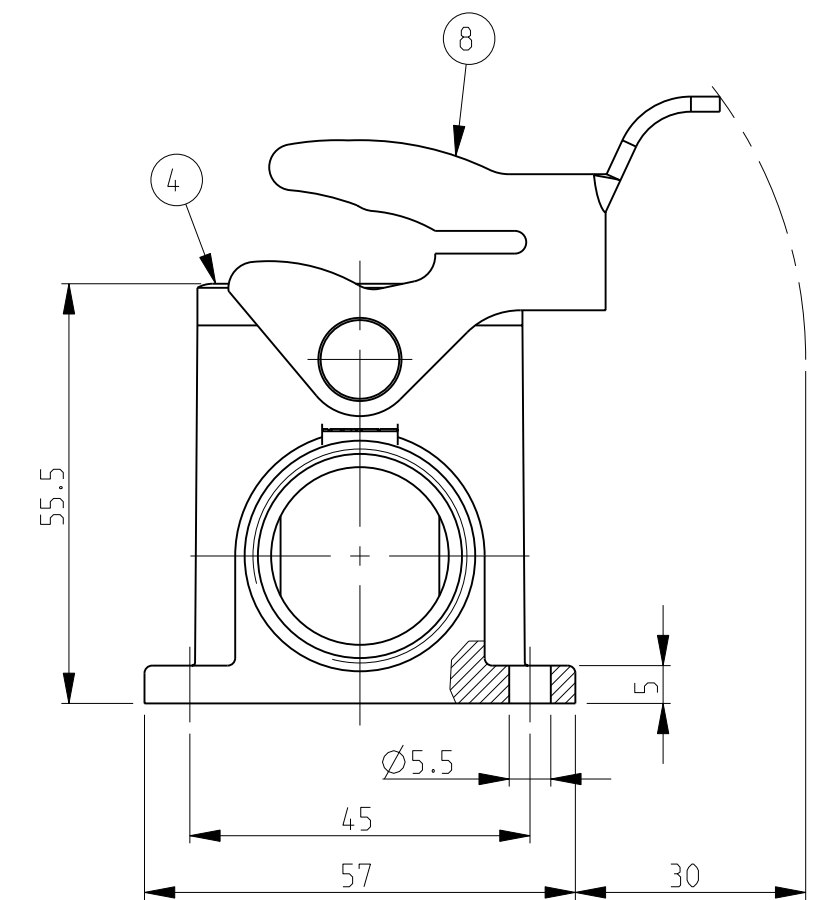
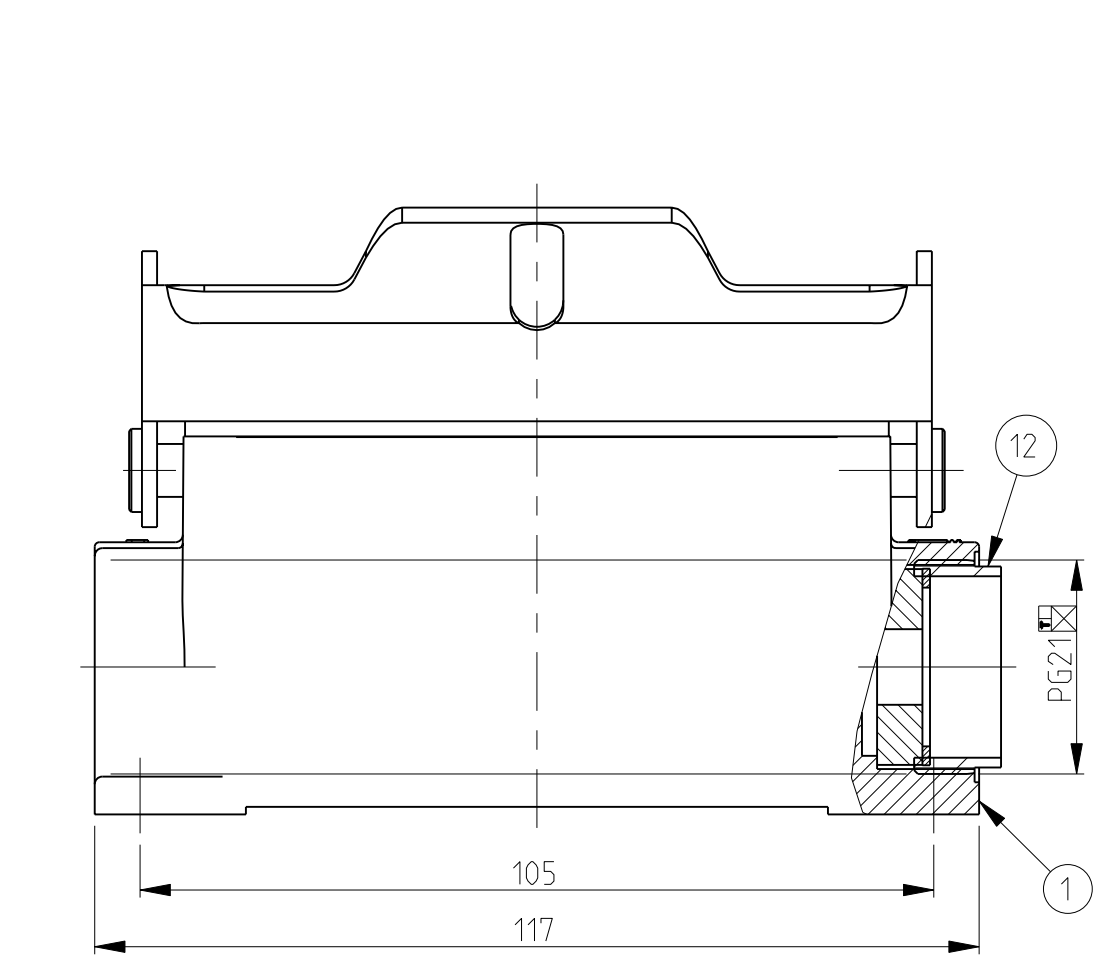
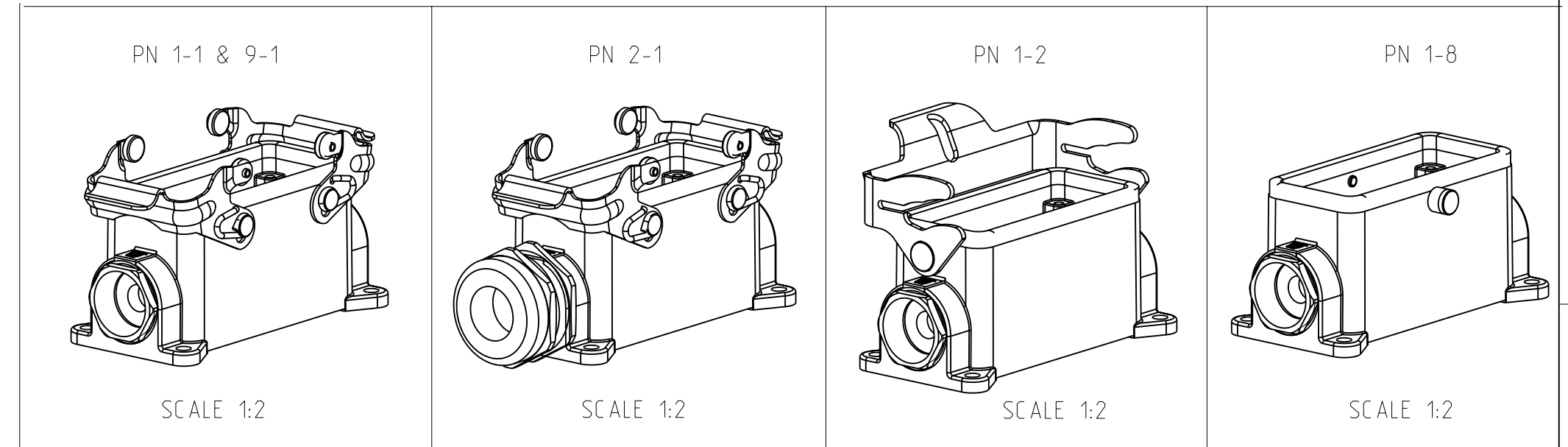
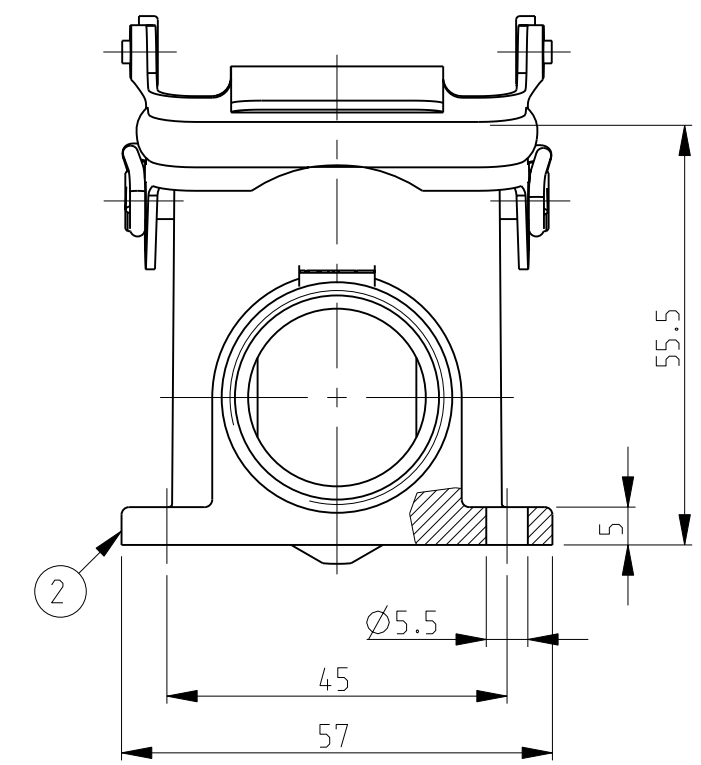
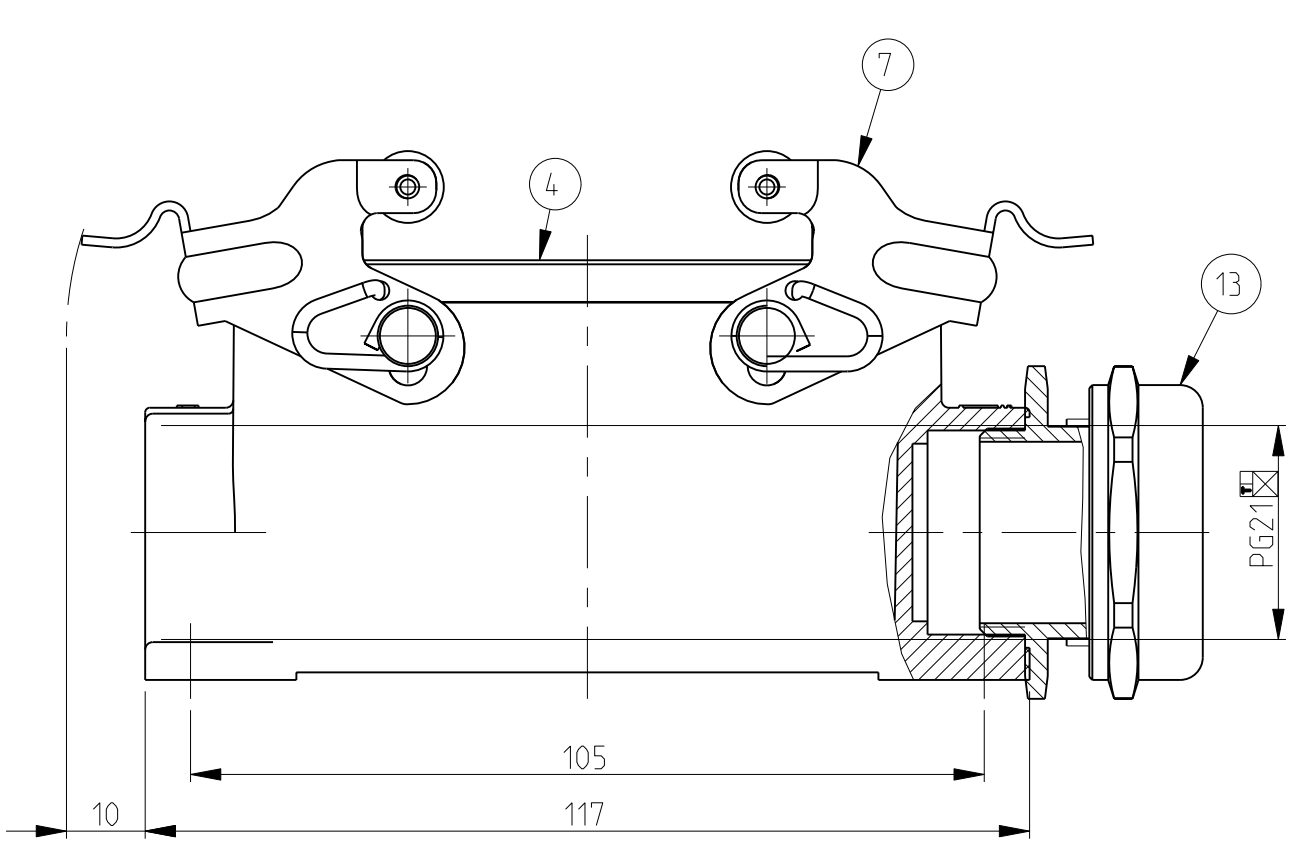


LOC	DIST	REV	DESCRIPTION	DATE	DWN	APVD
A1	-	A4	REVISED PER ECO-09-027197	16DEC2009	KK	AEG



- NOTES.
- Material:Housing:Aluminium Diecasting Alloy
Seals:Neoprene
 - Surface:Varnish grey
-Aluminium Oxide +Varnish Black
 - Varnish on the inside not necessary
 - Packaging
Quantity 5 Pieces in a box
 - OBsolete PARTS: OBsolete CIS STREAMLINING PER D.RENAUD/D.SINISI



QTY	ITEM NO	DESCRIPTION	MATERIAL	SURFACE	COLOR	REMARKS
1	1	DS-Cable fitting Pg21	Brass	Nickel plated		14 Sealing with viton
1	1	Hut-Gland Fitting Pg21	Brass	Nickel plated		13
2	2	DS-Cable fitting Pg21	Brass	Nickel plated		12
2	2	ZB-Clip Positioner	Stainless steel			11
2	2	ZB-Clip Positioner	Steel	Zinc plated		10
2	2	LB-Side Clip	Stainless steel			9
2	2	LB-Side Clip	Steel	Zinc plated		8
2	2	VS-Locking Clip	Stainless steel			7
2	2	VS-Locking Clip	Steel	Zinc plated		6
1	1	Profile seal	Viton		Grey	5
1	1	Profile seal	Neoprene		Black	4
1	1	Surface mounted housing side entry HB.16.Pg.1.21	Aluminium		Without varnish	3
1	1	Surface mounted housing side entry HB.16.Pg.1.21	Aluminium	Aluminium oxide	Black RAL 9005	2
1	1	Surface mounted housing side entry HB.16.Pg.1.21	Aluminium		Grey RAL 7001	1
9-12-8	1-8	2-2	2-1	2-1	1-1	
ORDERING TEXT						
HB.16.SG-VS.1.21						
HB-K.16.SG-VS.4.21						
HB.16.SG-LB.1.21						
HB-K.16.SG-LB.1.21						
HB-Z.16.SG-ZVGR.1.21						
HB-K/Z.16.SG-ZVGR.1.21						
HB.16.SG-VS.1.21-S0						

DIMENSIONS:	TOLERANCES UNLESS OTHERWISE SPECIFIED:	DWN	21.07.1999	Tyco Electronics	Tyco Electronics,AMP.GmbH
mm	0 PLC ±	CHK	21.07.1999	0-53819,Neunkirchen,Germany	
	1 PLC ±	APVD			
	2 PLC ±	NAME			Surface mounted housing side entry
	3 PLC ±	PRODUCT SPEC			HB.16.1.21
	4 PLC ±	APPLICATION SPEC			
MATERIAL	FINISH	SIZE	CAGE CODE	DRAWING NO	RESTRICTED TO
-	-	A1	00779	C=1102298	-
CUSTOMER DRAW ING					SCALE 1:1 SHEET 1 OF 1 REV A4