



SY89838U

Precision 1:8 LVDS Clock Fanout Buffer with 2:1 Runt Pulse Eliminator Input MUX



Precision Edge®

General Description

The SY89838U is a low jitter, low skew, high-speed 1:8 fanout buffer with a unique, 2:1 differential input multiplexer (MUX) optimized for redundant source switchover applications. Unlike standard multiplexers, the SY89838U unique 2:1 Runt Pulse Eliminator (RPE) MUX prevents any short cycles or “runt” pulses during switchover. In addition, a unique fail-safe input protection prevents metastable conditions when the selected input clock fails to a DC voltage (voltage between the pins of the differential input drops below 200mV). The SY89838U distributes clock frequencies from 1kHz to 1.5GHz, guaranteed, over temperature and voltage.

The differential input includes Micrel’s unique, 3-pin input termination architecture that allows customers to interface to any differential signal (AC- or DC-coupled) as small as 200mV (400mV_{PP}) without any level shifting or termination resistor networks in the signal path. The outputs are 350mV compatible LVDS with fast rise/fall times guaranteed to be less than 150ps.

The SY89838U operates from a 2.5V ±5% supply and is guaranteed over the full industrial temperature range of –40°C to +85°C. For applications that require 800mV LVPECL outputs, consider the SY89837U. The SY89838U is part of Micrel’s high-speed, Precision Edge® product line.

All support documentation can be found on Micrel’s web site at: www.micrel.com.

Features

- Selects between two clocks, and provides 8 precision, low skew LVDS output copies
- 2:1 MUX input provides a glitch-free, stable LVDS output
- Guaranteed AC performance over temperature and supply voltage:
 - Wide operating frequency: 1kHz to >1.5GHz
 - <150ps t_r/t_f
 - <40ps output-to-output skew
- Unique patent-pending input isolation design minimizes crosstalk
- Fail-safe input prevents oscillation
- Ultra-low jitter design:
 - 150fs RMS phase jitter
 - <0.7ps_{RMS} MUX crosstalk induced jitter
- Unique patent-pending input termination and VT pin accepts DC- and AC-coupled inputs (CML, PECL, LVDS)
- 350mV LVDS output swing
- Power supply 2.5V ±5%
- –40°C to +85°C industrial temperature range
- Available in 32-pin (5mm x 5mm) QFN package

Applications

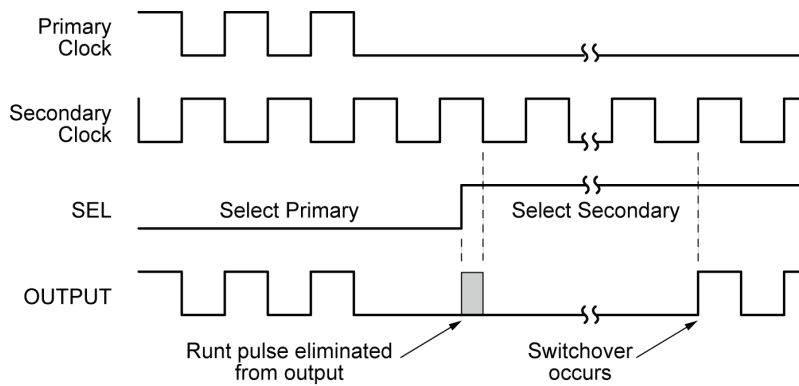
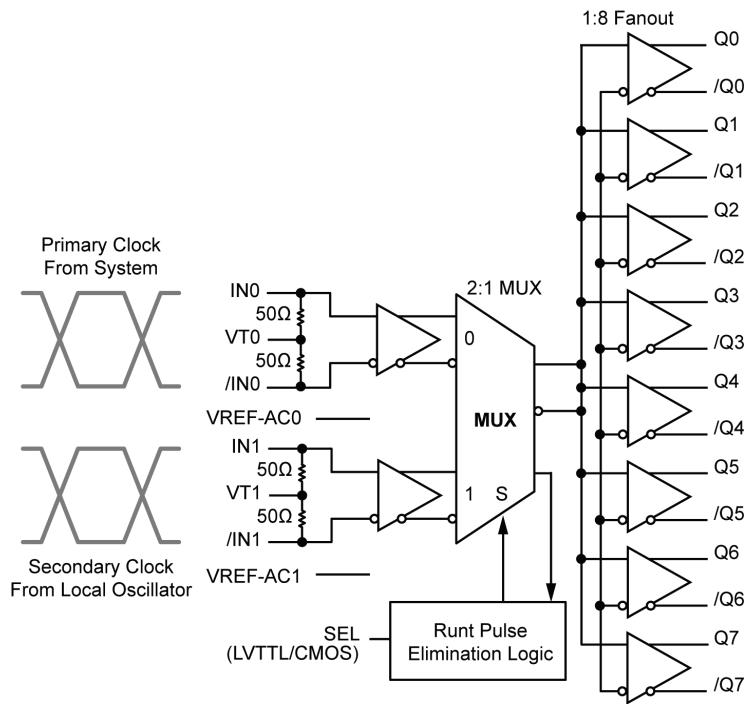
- Redundant clock switchover
- Failsafe clock protection

Markets

- LAN/WAN
- Enterprise Servers
- ATE
- Test and Measurements

Precision Edge is a registered trademark of Micrel, Inc

Typical Application



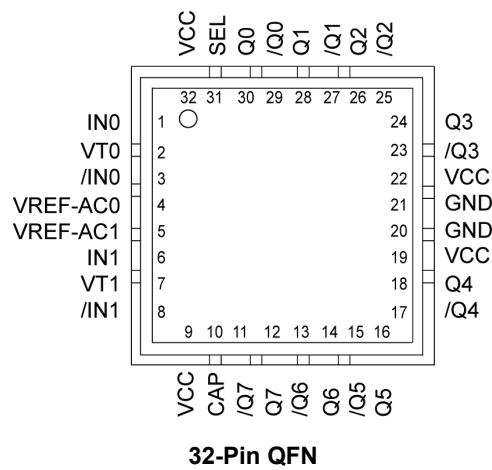
Ordering Information⁽¹⁾

| Part Number | Package Type | Operating Range | Package Marking | Lead Finish |
|-----------------------------|--------------|-----------------|---|-------------------|
| SY89838UMG | QFN-32 | Industrial | SY89838U with bar line Pb-Free indicator | NiPdAu Pb-Free |
| SY89838UMGTR ⁽²⁾ | QFN-32 | Industrial | SY89838U with bar line Pb-Free indicator | NiPdAu Pb-Free |

Notes:

1. Contact factory for die availability. Dice are guaranteed at T_A = +25°C, DC Electrical only.
2. Tape and Reel.

Pin Configuration



Pin Description

| Pin Number | Pin Name | Pin Function |
|---|-------------------------|---|
| 1, 3, 6, 8 | IN0, /IN0, IN1, /IN1 | Differential Inputs: These input pairs are the differential signal inputs to the device. These inputs accept AC or DC-coupled signals as small as 100mV (200mV _{PP}). Each pin of a pair internally terminates to a VT pin through 50Ω. Please refer to the "Input Interface Applications" section for more details. |
| 2, 7 | VT0, VT1 | Input Termination Center-Tap: Each side of the differential input pair terminates to a VT pin. The VT0 and VT1 pins provide a center-tap to a termination network for maximum interface flexibility. See the "Input Interface Applications" section for more details. |
| 31 | SEL | This single-ended TTL/CMOS-compatible input selects the inputs to the multiplexer. Note that this input is internally connected to a 25kΩ pull-up resistor and will default to a logic HIGH state if left open. Input threshold is $V_{CC}/2$. |
| 9, 19, 22, 32 | VCC | Positive Power Supply: Bypass with 0.1μF//0.01μF low ESR capacitors as close to VCC pins as possible. |
| 30, 28, 26, 24, 18, 16, 14, 12, 29, 27, 25, 23, 17, 15, 13, 11 | Q0 – Q7, /Q0 – /Q7 | Differential Outputs: These LVDS output pairs are a logic function of the IN0, IN1, and SEL inputs. Please refer to the truth table below for details. Unused output pairs must be terminated with 100Ω across the pair. |
| 20, 21 | GND, Exposed Pad | Ground: Ground pin and exposed pad must be connected to the same ground plane. |
| 10 | CAP | Power-On Reset (POR) Initialization capacitor. When using the multiplexer with RPE capability, this pin is tied to a capacitor to VCC. The purpose is to ensure the internal RPE logic starts up in a known state. See "Power-On Rest (POR) Description" section for more details regarding capacitor selection. If this pin is tied directly to VCC, the RPE function will be disabled and the multiplexer will function as a normal multiplexer. The CAP pin should never be left open. |
| 4, 5 | VREF-AC0 VREF-AC1 | Reference Voltage: These outputs bias to $V_{CC}-1.2V$. They are used for AC-coupling inputs (IN, /IN). Connect VREF_AC directly to the VT pin. Bypass with 0.01μF low ESR capacitor to VCC. See "Input Interface Applications" section. Maximum sink/source current is ±1.5mA. |

Truth Table

| Inputs | | | | | Outputs | |
|--------|------|-----|------|-----|---------|----|
| IN0 | /IN0 | IN1 | /IN1 | SEL | Q | /Q |
| 0 | 1 | X | X | 0 | 0 | 1 |
| 1 | 0 | X | X | 0 | 1 | 0 |
| X | X | 0 | 1 | 1 | 0 | 1 |
| X | X | 1 | 0 | 1 | 1 | 0 |

Absolute Maximum Ratings⁽¹⁾

Supply Voltage (V_{CC}) -0.5V to +4.0V
 Input Voltage (V_{IN}) -0.5V to V_{CC}
 Input Current
 Source or sink current on IN, /IN ± 50 mA
 Termination Current
 Source or sink current on V_T ± 100 mA
 V_{REF-AC} Source or sink current ± 2 mA
 Lead Temperature (soldering, 20 sec.) +260°C
 Storage Temperature (T_s) -65°C to 150°C

Operating Ratings⁽²⁾

Supply Voltage (V_{CC}) +2.375V to +2.625V
 Ambient Temperature (T_A) -40°C to +85°C
 Package Thermal Resistance⁽³⁾
 QFN (θ_{JA})
 Still-Air 35°C/W
 QFN (ψ_{JB})
 Junction-to-Board 16°C/W

DC Electrical Characteristics⁽⁴⁾

$T_A = -40^\circ\text{C}$ to $+85^\circ\text{C}$, unless otherwise stated.

| Symbol | Parameter | Condition | Min | Typ | Max | Units |
|----------------|---|------------------------|--------------|--------------|--------------|----------|
| V_{CC} | Power Supply | | 2.375 | 2.5 | 2.625 | V |
| I_{CC} | Power Supply Current | No load, max. V_{CC} | | 250 | 350 | mA |
| R_{IN} | Input Resistance (IN-to- V_T) | | 45 | 50 | 55 | Ω |
| R_{DIFF_IN} | Differential Input Resistance (IN-to-/IN) | | 90 | 100 | 110 | Ω |
| V_{IH} | Input High Voltage (IN, /IN) | | 1.2 | | V_{CC} | V |
| V_{IL} | Input Low Voltage (IN, /IN) | | 0 | | $V_{IH}-0.2$ | V |
| V_{IN} | Input Voltage Swing (IN, /IN) | See Figure 1a. Note 5 | 0.2 | | V_{CC} | V |
| V_{DIFF_IN} | Differential Input Voltage Swing $ IN-/IN $ | See Figure 1b. | 0.4 | | | V |
| V_{IN_FSI} | Input Voltage Threshold that Triggers FSI | | | 30 | 100 | mV |
| V_{T_IN} | IN-to- V_T (IN, /IN) | | | | 1.8 | V |
| V_{REF-AC} | Output Reference Voltage | | $V_{CC}-1.3$ | $V_{CC}-1.2$ | $V_{CC}-1.1$ | V |

Notes:

1. Permanent device damage may occur if the absolute maximum ratings are exceeded. This is a stress rating only and functional operation is not implied at conditions other than those detailed in the operational sections of this data sheet. Exposure to absolute maximum ratings conditions for extended periods may affect device reliability.
2. The data sheet limits are not guaranteed if the device is operated beyond the operating ratings.
3. Package Thermal Resistance assumes exposed pad is soldered (or equivalent) to the devices most negative potential on the PCB. θ_{JA} and ψ_{JB} values are determined for a 4-layer board in still air, unless otherwise stated.
4. The circuit is designed to meet the DC specifications shown in the above table after thermal equilibrium has been established.
5. V_{IN} (max) is specified when V_T is floating.

LVDS Outputs DC Electrical Characteristics⁽⁶⁾

$V_{CC} = +2.5V \pm 5\%$; $T_A = -40^\circ C$ to $+85^\circ C$; $R_L = 100\Omega$ across output pair, or equivalent, unless otherwise stated.

| Symbol | Parameter | Condition | Min | Typ | Max | Units |
|------------------|--|----------------------|-------|-----|-------|-------|
| V_{OUT} | Output Voltage Swing (Q, /Q) | See Figure 1a and 4a | 250 | 325 | | mV |
| $V_{DIFF-OUT}$ | Differential Output Voltage Swing Q - /Q | See Figure 1b | 500 | 650 | | mV |
| V_{OCM} | Output Common Mode Voltage | See Figure 4b | 1.125 | | 1.275 | V |
| ΔV_{OCM} | Change in Common Mode Voltage | See Figure 4b | -50 | | +50 | mV |

LVTTL/CMOS DC Electrical Characteristics⁽⁶⁾

$V_{CC} = +2.5V \pm 5\%$; $T_A = -40^\circ C$ to $+85^\circ C$, unless otherwise stated.

| Symbol | Parameter | Condition | Min | Typ | Max | Units |
|----------|--------------------|-----------|------|-----|-----|---------|
| V_{IH} | Input HIGH Voltage | | 2.0 | | | V |
| V_{IL} | Input LOW Voltage | | | | 0.8 | V |
| I_{IH} | Input HIGH Current | | -125 | | 30 | μA |
| I_{IL} | Input LOW Current | | -300 | | | μA |

Note:

1. The circuit is designed to meet the DC specifications shown in the above table after thermal equilibrium has been established.

AC Electrical Characteristics⁽⁶⁾

$V_{CC} = +2.5V \pm 5\%$; $T_A = -40^{\circ}C$ to $+85^{\circ}C$, RPE enabled, Input $t_r/t_f \leq 600ps$ (20% to 80%), $R_L = 100\Omega$, unless otherwise stated.

| Symbol | Parameter | Condition | Min | Typ | Max | Units |
|--------------------|---|---|-----|-----|------|-------------------|
| f_{MAX} | Maximum Operating Frequency | RPE enabled | 1.5 | 2.0 | | GHz |
| t_{pd} | Differential Propagation Delay IN-to-Q | $V_{IN} \geq 250mV$, Note 7 | 500 | 700 | 950 | ps |
| | SEL-to-Q | RPE enabled, see Timing Diagram | | | 17 | Cycles |
| | SEL-to-Q | RPE disabled ($V_{IN} = V_{CC}/2$) | | | 1000 | ps |
| t_{pd} Tempco | Differential Propagation Delay Temperature Coefficient | | | 115 | | fs/ $^{\circ}C$ |
| t_{skew} | Output-to-Output Skew | Note 8 | | 20 | 40 | ps |
| | Part-to-Part Skew | Note 9 | | | 200 | ps |
| t_{jitter} | RMS Phase Jitter | Output = 622MHz Integration range: 12kHz – 20MHz | | 150 | | fs |
| | Crosstalk-Induced Jitter | Note 10 | | | 0.7 | ps _{RMS} |
| t_R, t_F | Output Rise/Fall Time (20% to 80%) | At full output swing. | 40 | 80 | 150 | ps |

Notes:

6. High-frequency AC-parameters are guaranteed by design and characterization.
7. Propagation delay is a function of rise and fall time at IN. See "Typical Operating Characteristics" for more details.
8. Output-to-output skew is measured between two different outputs under identical transitions.
9. Part-to-part skew is defined for two parts with identical power supply voltages at the same temperature and with no skew of the edges at the respective inputs.
10. Crosstalk is measured at the output while applying two similar differential clock frequencies that are asynchronous with respect to each other at the inputs.

Functional Description

RPE MUX and Fail-Safe Input

The SY89838U is optimized for clock switchover applications where switching from one clock to another clock without runt pulses (short cycles) is required. It features two unique circuits:

Runt-Pulse Eliminator (RPE) Circuit:

The RPE MUX provides a “glitchless” switchover between two clocks and prevents any runt pulses from occurring during the switchover transition. The design of both clock inputs is identical (i.e., the switchover sequence and protection is symmetrical for both input pair, IN0 or IN1. Thus, either input pair may be defined as the primary input). If not required, the RPE function can be permanently disabled to allow the switchover between inputs to occur immediately. If the CAP pin is tied directly to V_{CC} , the RPE function will be disabled and the multiplexer will function as a normal multiplexer.

Fail-Safe Input (FSI) Circuit:

The FSI function provides protection against a selected input pair that drops below the minimum amplitude requirement. If the selected input pair drops sufficiently below the 100mV minimum single-ended input amplitude limit (V_{IN}), or 200mV differentially (V_{DIFF_IN}), the output will latch to the last valid clock state.

RPE and FSI Functionality

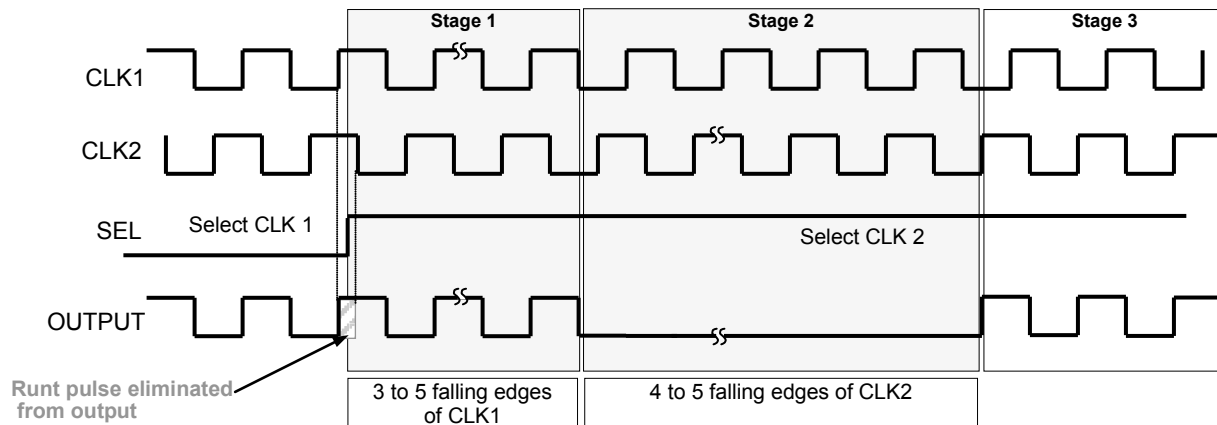
The basic operation of the RPE MUX and FSI functionality is described with the following four case descriptions. All descriptions are related to the true inputs and outputs. The primary (or selected) clock is called CLK1; the secondary (or alternate) clock is called CLK2. Due to the totally asynchronous relation of the IN and SEL signals and an additional internal protection against metastability, the number of pulses required for the operations described in cases 1-4 can vary within certain limits. Refer to “Timing Diagrams” for more detailed information.

Case #1 Two Normal Clocks and RPE Enabled

In this case the frequency difference between the two running clocks IN0 and IN1 must not be greater than 1.5:1. For example, if the IN0 clock is 500MHz, the IN1 clock must be within the range of 334MHz to 750MHz.

If the SEL input changes state to select the alternate clock, the switchover from CLK1 to CLK2 will occur in three stages.

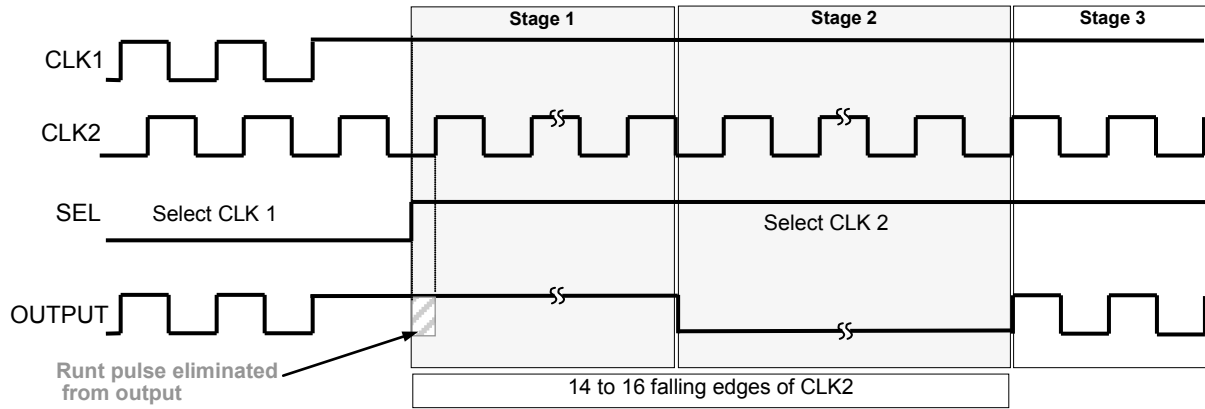
- Stage 1: The output will continue to follow CLK1 for a limited number of pulses.
- Stage 2: The output will remain LOW for a limited number of pulses of CLK2.
- Stage 3: The output follows CLK2.



Case #2 Input Clock Failure: Switching from a selected clock stuck HIGH to a valid clock (RPE enabled)

If CLK1 fails HIGH before the RPE MUX selects CLK2 (using the SEL pin), the switchover will occur in three stages.

- Stage 1: The output will remain HIGH for a limited number of pulses of CLK2.
- Stage 2: The output will switch to LOW and then remain LOW for a limited number of falling edges of CLK2.
 1. Stage 3: The output will follow CLK2.

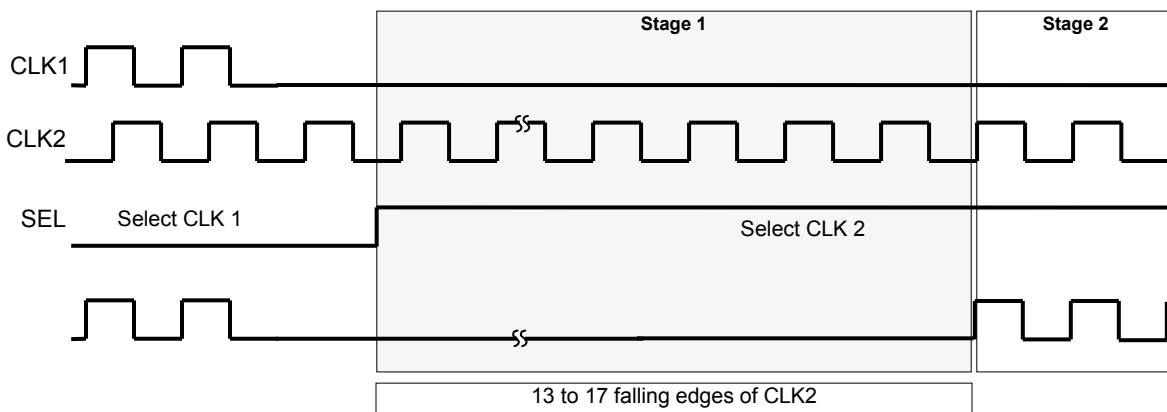


Note: Output shows extended clock cycle during switchover. Pulse width for both high and low of this cycle will always be greater than 50% of the CLK2 period.

Case #3 Input Clock Failure: Switching from a selected clock stuck Low to a valid clock (RPE enabled)

If CLK1 fails LOW before the RPE MUX selects CLK2 (using the SEL pin), the switchover will occur in two stages.

- Stage 1: The output will remain LOW for a limited number of falling edges of CLK2.
- Stage 2: The output will follow CLK2.

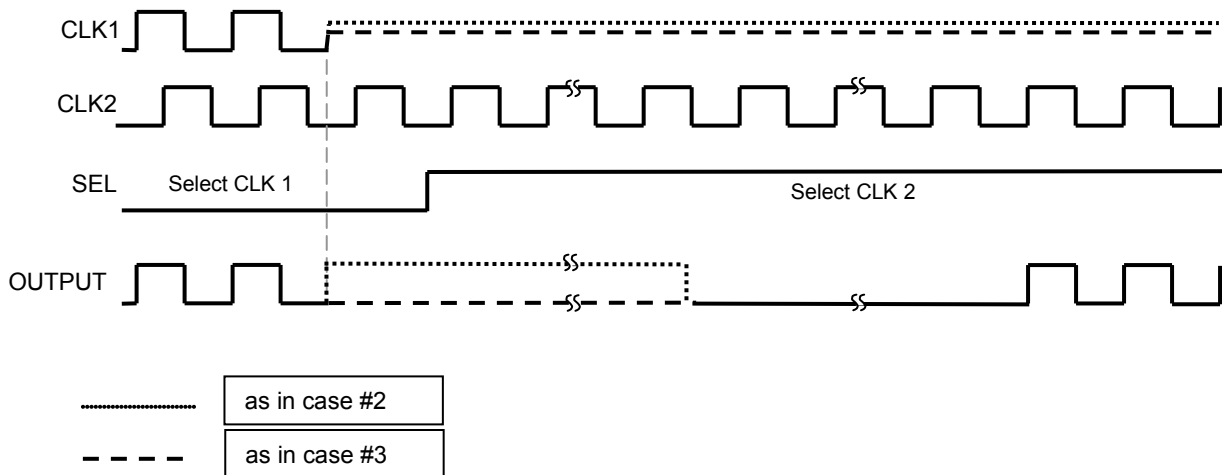


Case #4 Input Clock Failure: Switching from the selected clock input stuck in an undetermined state to a valid clock input (RPE enabled)

If CLK1 fails to an undetermined state (e.g., amplitude falls below the 100mV (V_{IN}) minimum single-ended input limit, or 200mV differentially) before the RPE MUX selects CLK2 (using the SEL pin), the switchover to the valid clock CLK2 will occur either following Case #2 or Case #3, depending on the last valid state at the CLK1.

If the selected input clock fails to a floating, static, or extremely low signal swing, including 0mV, the FSI function will eliminate any metastable condition and guarantee a stable output signal. No ringing and no undetermined state will occur at the output under these conditions.

Please note that the FSI function will not prevent duty cycle distortions or runt pulses in case of a slowly deteriorating (but still toggling) input signal. Due to the FSI function, the propagation delay will depend on rise and fall time of the input signal and on its amplitude. Refer to "Typical Operating Characteristics" for more detailed information.



Power-On Reset (POR) Description

The SY89838U includes an internal power-on reset (POR) function to ensure the RPE logic starts-up in a known logic state once the power-supply voltage is stable. An external capacitor connected between V_{CC} and the CAP pin (pin 10) controls the delay for the power-on reset function.

Calculation of the required capacitor value is based on the time the system power supply needs to power up to a minimum of 2.3V. The time constant for the internal power-on-reset must be greater than the time required for the power supply to ramp up to a minimum of 2.3V.

The following formula describes this relationship:

$$C(\mu F) \geq \frac{t_{dPS}(ms)}{12(ms / \mu F)}$$

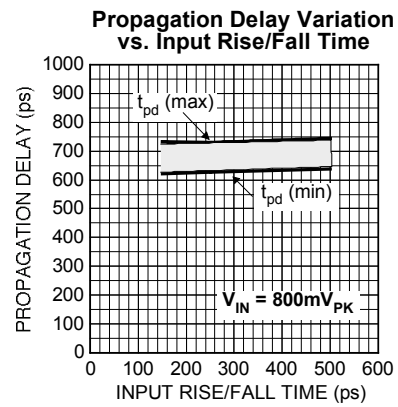
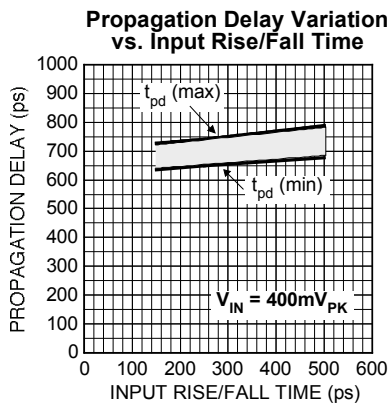
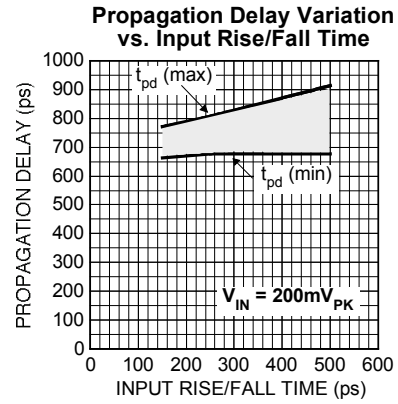
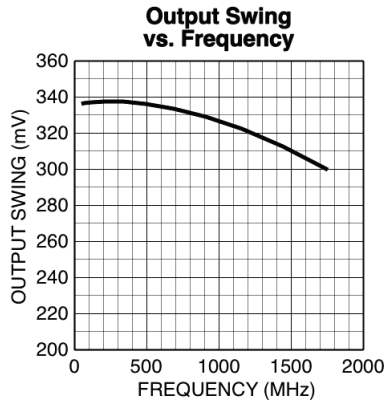
As an example, if the time required for the system power supply to power up past 2.3V is 12ms, the required capacitor value on pin 10 would be:

$$C(\mu F) \geq \frac{12ms}{12(ms / \mu F)}$$

$$C(\mu F) \geq 1\mu F$$

Typical Operating Characteristics

$V_{CC} = 2.5V$, $GND = 0V$, $V_{IN} \geq 250mV_{pk}$, $t_r/t_f \leq 300ps$, $R_L = 100\Omega$ across output pair; $T_A = 25^\circ C$, unless otherwise stated.



Singled-Ended and Differential Swings

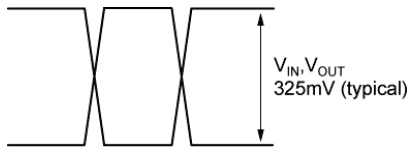


Figure 1a. Singled-Ended Voltage Swing

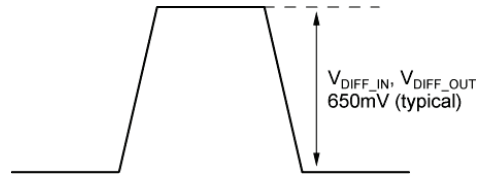


Figure 1b. Differential Voltage Swing

Input Stage

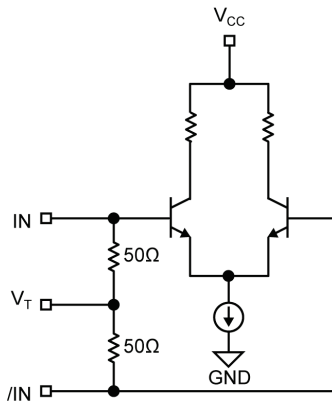
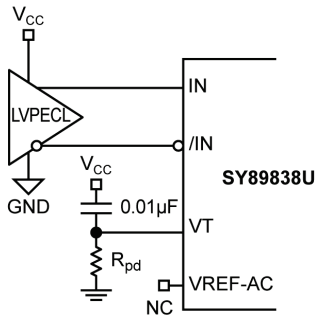


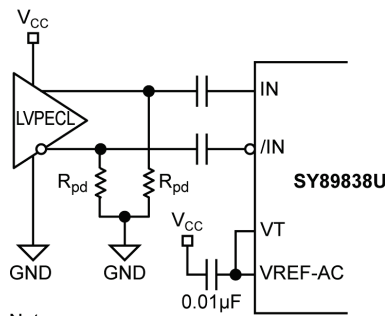
Figure 2. Simplified Differential Input Stage

Input Interface Applications



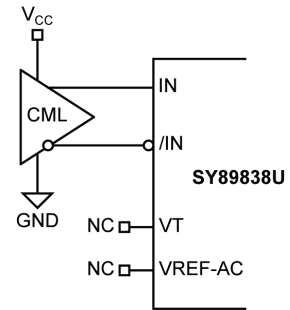
Note:
 For 3.3V, $R_{pd} = 50\Omega$.
 For 2.5V, $R_{pd} = 19\Omega$.

Figure 3a. LVPECL Interface (DC-Coupled)



Note:
 For 3.3V, $R_{pd} = 100\Omega$.
 For 2.5V, $R_{pd} = 50\Omega$.

Figure 3b. LVPECL Interface (AC-coupled)



option: may connect V_T to V_{CC}

Figure 3c. CML Interface (DC-Coupled)

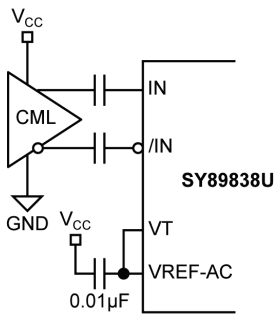


Figure 3d. CML Interface (AC-Coupled)

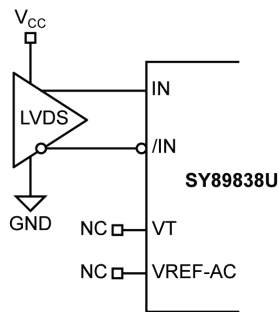


Figure 3e. LVDS Interface (DC-Coupled)

LVDS Output Interface Applications

LVDS specifies a small swing of 325mV typical, on a nominal 1.2V common mode above ground. The common mode voltage has tight limits to permit large variations in ground between an LVDS driver and

receiver. Also, change in common mode voltage, as a function of data input, is kept to a minimum, to keep EMI low.

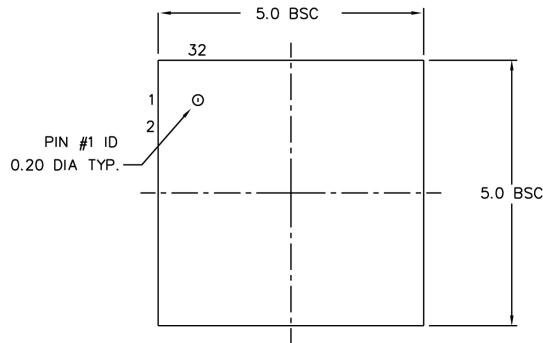
Figure 4a. LVDS Differential Measurement

Figure 4b. LVDS Common Mode Measurement

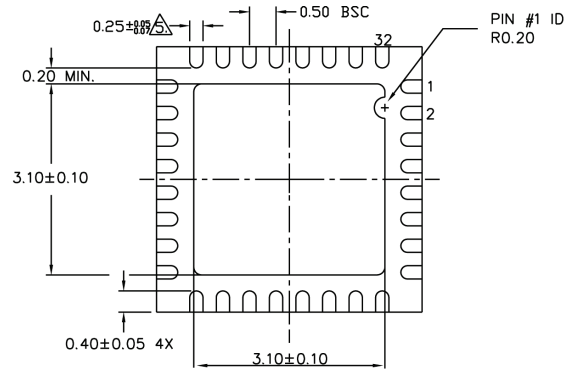
Related Product and Support Documentation

| Part Number | Function | Data Sheet Link |
|---------------|---|--|
| SY89837U | Precision 1:8 LVPECL Fanout Buffer with 2:1 Runt Pulse Eliminator Input Mux | www.micrel.com/_PDF/HBW/SY89837u.pdf |
| HBW Solutions | New Products and Applications | www.micrel.com/product-info/products/solutions.shtml |

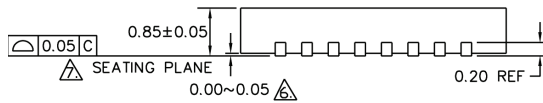
Package Information



TOP VIEW



BOTTOM VIEW

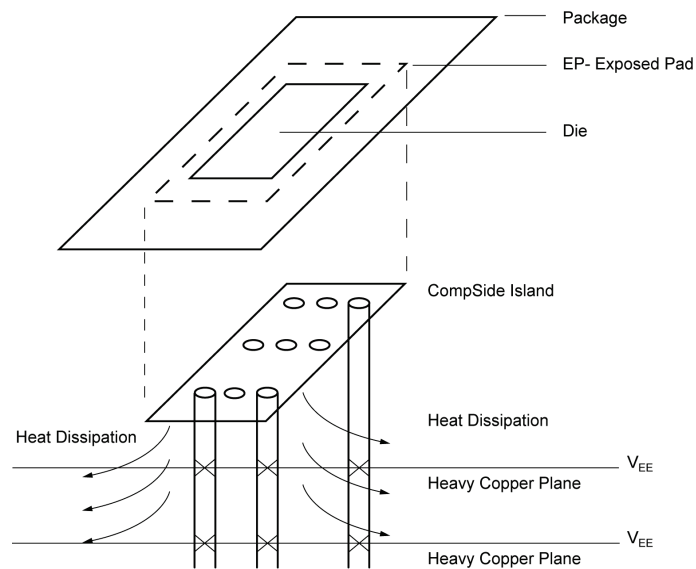


SIDE VIEW

NOTE:

1. ALL DIMENSIONS ARE IN MILLIMETERS.
 2. MAX. PACKAGE WARPAGE IS 0.05 mm.
 3. MAXIMUM ALLOWABLE BURRS IS 0.076 mm IN ALL DIRECTIONS.
 4. PIN #1 ID ON TOP WILL BE LASER/INK MARKED.
- ⚠ DIMENSION APPLIES TO METALIZED TERMINAL AND IS MEASURED BETWEEN 0.20 AND 0.25 mm FROM TERMINAL TIP.
- ⚠ APPLIED ONLY FOR TERMINALS.
- ⚠ APPLIED FOR EXPOSED PAD AND TERMINALS.

32-Pin (5mm x 5mm) QFN



**PCB Thermal Consideration for 32-Pin QFN Package
(Always solder, or equivalent, the exposed pad to the PCB)**

Package Notes:

1. Package meets Level 2 qualification.
2. All parts are dry-packaged before shipment.
3. Exposed pads must be soldered to a ground for proper thermal management.

MICREL, INC. 2180 FORTUNE DRIVE SAN JOSE, CA 95131 USA
 TEL +1 (408) 944-0800 FAX +1 (408) 474-1000 WEB <http://www.micrel.com>

The information furnished by Micrel in this data sheet is believed to be accurate and reliable. However, no responsibility is assumed by Micrel for its use. Micrel reserves the right to change circuitry and specifications at any time without notification to the customer.

Micrel Products are not designed or authorized for use as components in life support appliances, devices or systems where malfunction of a product can reasonably be expected to result in personal injury. Life support devices or systems are devices or systems that (a) are intended for surgical implant into the body or (b) support or sustain life, and whose failure to perform can be reasonably expected to result in a significant injury to the user. A Purchaser's use or sale of Micrel Products for use in life support appliances, devices or systems is a Purchaser's own risk and Purchaser agrees to fully indemnify Micrel for any damages resulting from such use or sale.

© 2005 Micrel, Incorporated.