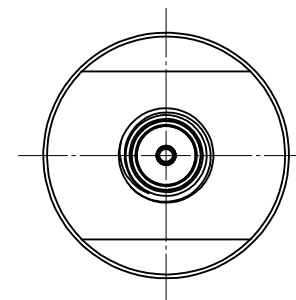
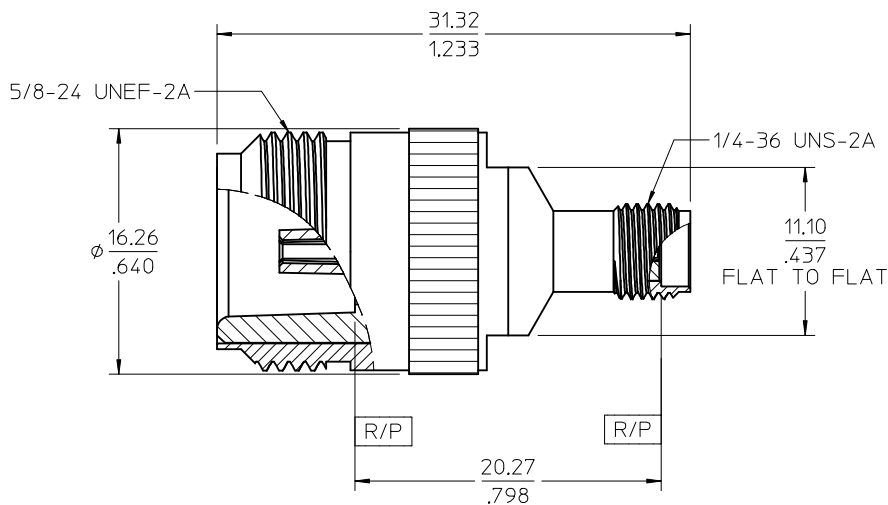
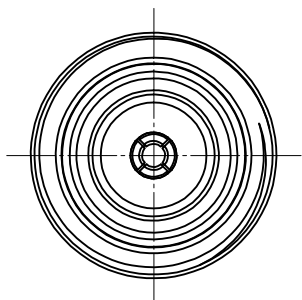
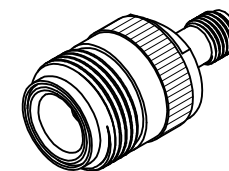
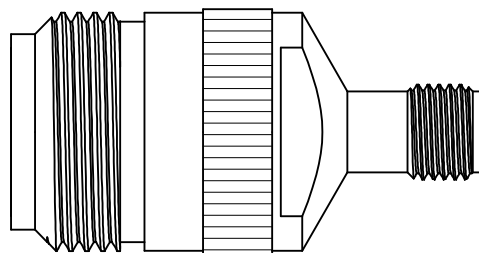


MATERIALS AND FINISHES:

BODY: STAINLESS STEEL  
PASSIVATED

CENTER CONTACT: BERYLLIUM COPPER  
PLATED GOLD

INSULATOR: TEFLON



73386-0142	TRAY
73386-0141	ONE PER BAG
PART NO	PACKAGING

PS-89675-2720	ELEC/MECH PERFORMANCE
SPECIFICATION	DESCRIPTION

CHGREGENERATED IN SYSTEM PER RF15-E031 EC NO: URF2015-0093 DRWR:RYEH 2014/08/27 CHKD: APPR:YCHENG 2014/09/02 DESCRIPTION REV:	QUALITY SYMBOLS
	□=0 ▽=0 ▽=0
	GENERAL TOLERANCES (UNLESS SPECIFIED) mm INCH 4 PLACES ± --- ± --- 3 PLACES ± --- ± --- 2 PLACES ± --- ± --- 1 PLACE ± --- ± --- 0 PLACE ± --- ± --- ANGULAR ± 2 ° DRAFT WHERE APPLICABLE MUST REMAIN WITHIN DIMENSIONS
	DIMENSION STYLE MM/IN DRAWN BY DATE RYEH 2014/08/27 CHECKED BY DATE KERRIE 2014/08/27 APPROVED BY DATE YCHENG 2014/09/02 MATERIAL NO. SEE TABLE SIZE C THIS DRAWING CONTAINS INFORMATION THAT IS PROPRIETARY TO MOLEX INCORPORATED AND SHOULD NOT BE USED WITHOUT WRITTEN PERMISSION

SCALE 4:1	DESIGN UNITS METRIC	THIRD ANGLE PROJECTION
TITLE BSA N JACK BKHD TO SMA JACK BSA-NJ/SMJ <b>molex</b> DOCUMENT NO. SD-73386-014 SHEET NO. 1 OF 1		