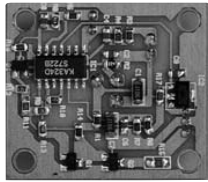


SE-10

Memo



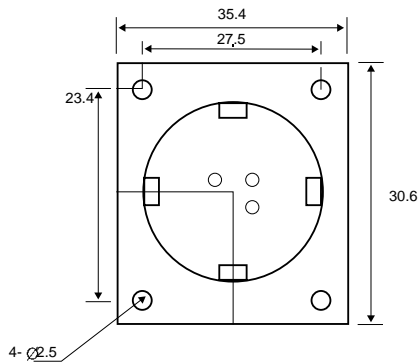
DC 12V(+B)
GND
ALARM(AL)

• BACK SIDE



• FRONT SIDE

Dimensions



Specifications

ITEM		Specification	Unit	Condition
Sensor Type		Dual Element		
Housing		TO 5		
Element Size		2 × 1	mm	
Spacing		1	mm	
Responsivity	Min	3.2	xv/w	7...14mm, 1Hz, 100°C (One element cover)
	Typ	4.0		
Match	Max	<10	%	7...14mm, 1Hz, 100°C (Both element expose)
Noise	Typ	20	μV/P-P	25°C, 0.4...10Hz
	Max	50	V	
Effect Voltage	Min	0.2		Re=47XO
	Max	1.5		
Window Material		Silicon, coated		
Spectral Range	Transmission	T>30 average	%	7...14mm <5mm
	Blocking	T<0.1		
Operating Voltage		12	V	
Operating Temperature		-10~40	°C	
Storage Temperature		-40~80	°C	