

SPECIFICATION

- Part No. : **TI.10.0112**
- Product Name : 433MHz ISM Band Terminal Antenna
Omni-directional, with a peak gain of 0dBi
- Features : SMA(M)RA Plug Connector
Low Profile and Robust Handling
44.8mm Antenna Length
IP65
RoHS Compliant
- Picture :



1. Introduction

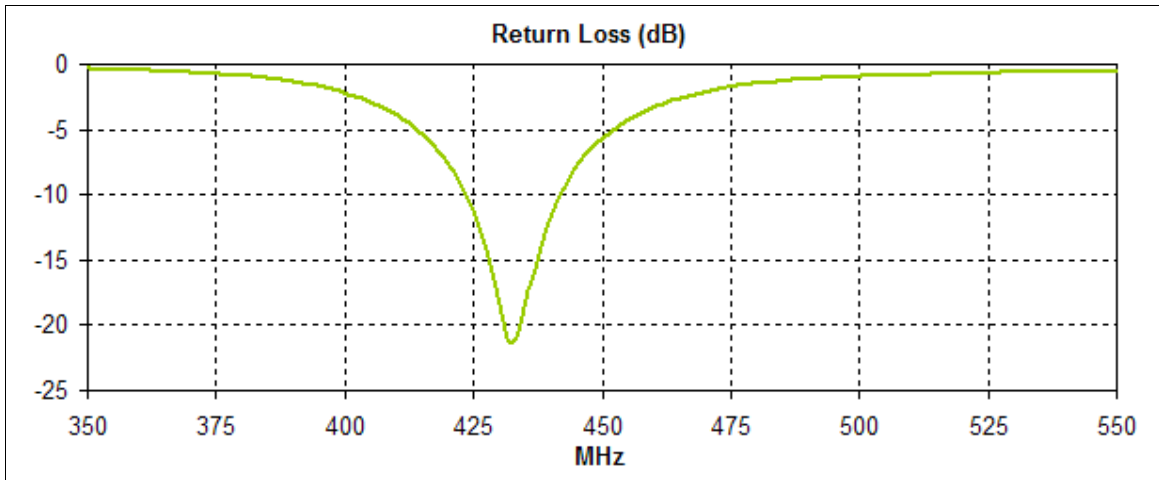
The TI.10 series are high performance 433MHz omni-directional antennas. The TI.10 terminal SMA R/A plug mount antenna is ideal for mobile small form factor applications. At only 44.8mm in length Omni-directional with a peak gain 0dBi ensures constant reception and transmission. The antenna structure is designed for robust handling and the housing is made with TPE giving reliable performance in tough environments.

2. Key Antenna Performance Indicators

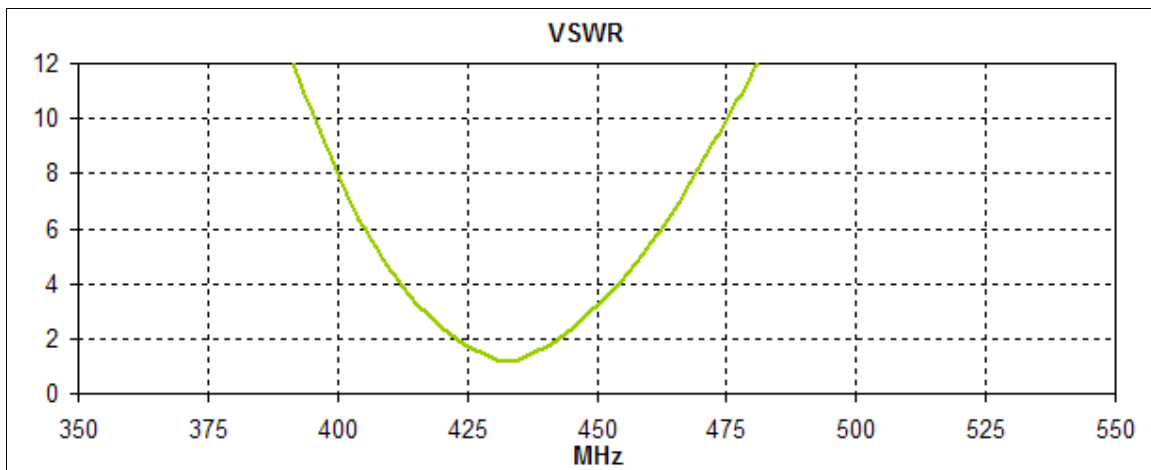
| Parameter | Specification |
|-----------------------|------------------|
| Applications | 433MHz ISM Band |
| Frequency | 433.05~434.79MHz |
| Peak Gain | 0dBi |
| Return Loss | -20dB |
| Impedance | 50 Ohms |
| Radiation Pattern | Omni-directional |
| Polarization | Linear |
| VSWR | ≤1.5:1 |
| Power handling | 5 W |
| Housing | TPE |
| Connector | SMA(M)RA Plug |
| Operation Temperature | -40°C to + 85°C |
| Storage Temperature | -40°C to + 105°C |
| Relative Humidity | 40% to 95% |
| Dimensions | Length: 44.8mm |
| Weight | 8.5g |

3. Antenna Parameters

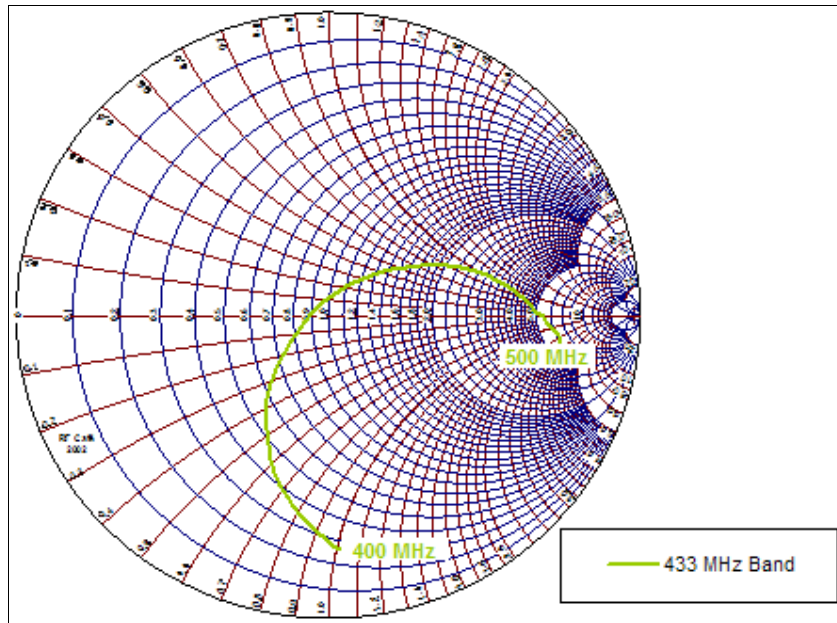
3.1 Return Loss Data



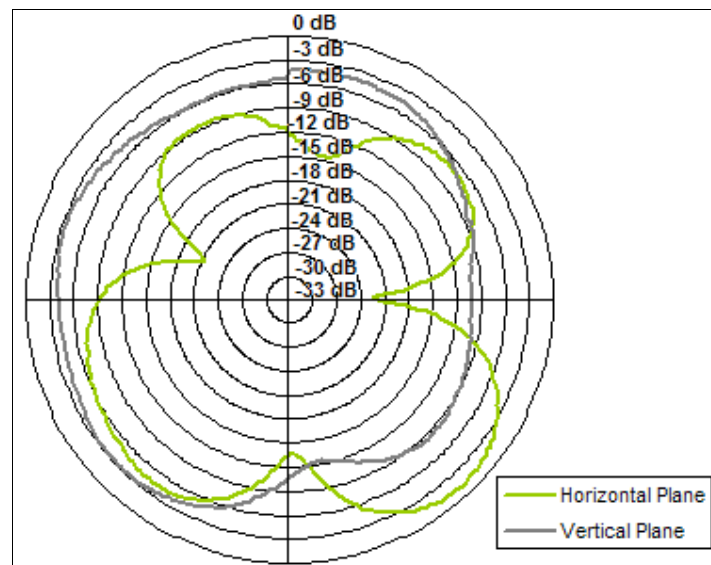
3.2 VSWR Data



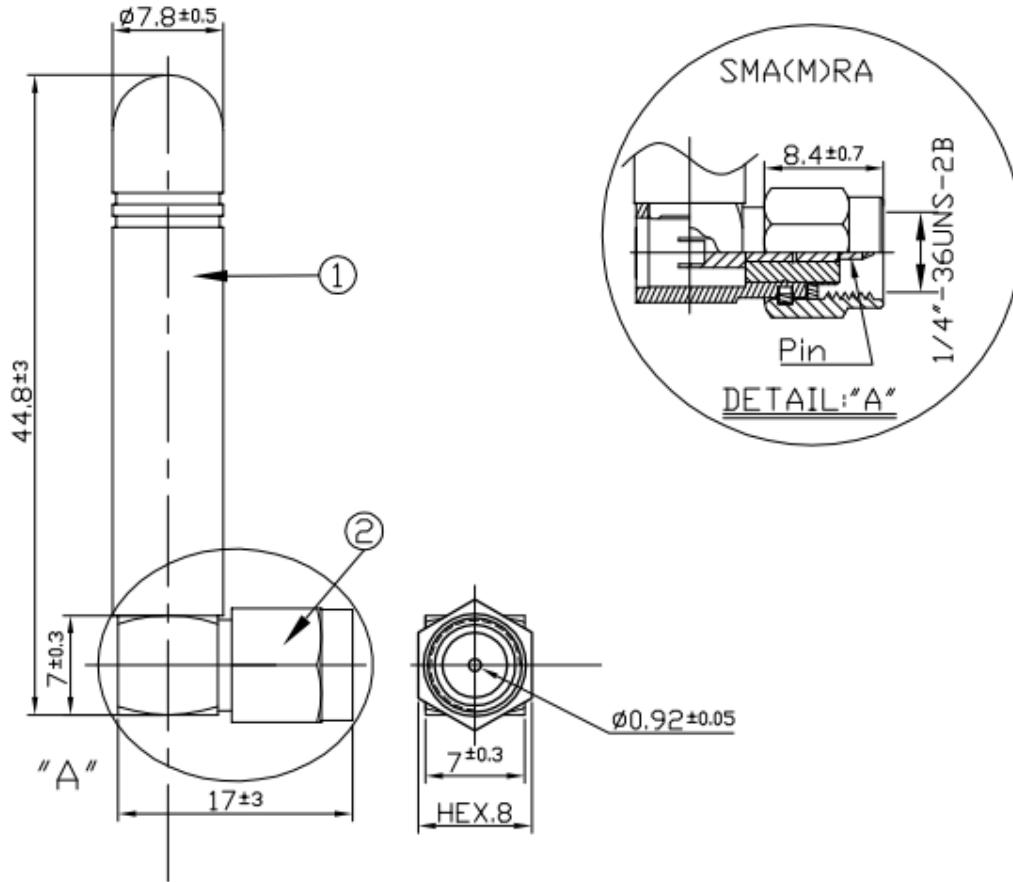
3.3 Smith Chart Data



3.4 Radiation Pattern



4. Mechanical Drawing



| | Name | Material | Finish | Quantity |
|---|---------------|----------|--------|----------|
| ① | Antenna Cover | TPU | Black | 1 |
| ② | SMA(M)RA | Brass | Gold | 1 |