

Description: GPSLPMBXX Mounting kit

Series: Accessory

PART NUMBER: LPMB4BRACKETxx

**Magnetic Mount**

(P/N: LPMB4BRACKETMM)

**Adhesive Mount**

(P/N: LPMB4BRACKETAM)

**Features:**

- Material PC
- Color Black
- Magnetic mount and adhesive tape mount options
- Height 1" / 25mm
- RoHS compliant



**Applications:**

- GPSLPMBxx series antennas
- Jaguar JAG-series antennas
- Mounting without drilling holes
- Elevates antenna by 1"/25mm when mounted on metal surface to enable best RF performance

**Finished Appearance:**



Issue: 1715

In the effort to improve our products, we reserve the right to make changes judged to be necessary.

CONFIDENTIAL AND PROPRIETARY INFORMATION

This document contains confidential and proprietary information of Pulse Electronics, Inc. (Pulse) and is protected by copyright, trade secret and other state and federal laws. Its receipt or possession does not convey any rights to reproduce, disclose its contents, or to manufacture, use or sell anything it may describe. Reproduction, disclosure or use without specific written authorization of Pulse is strictly forbidden.

For more information:

Pulse Worldwide Headquarters  
15255 Innovation Drive #100  
San Diego, CA 92128  
USA  
Tel: 1-858-674-8100

Pulse/Larsen Antennas  
18110 SE 34<sup>th</sup> St Bldg 2 Suite 250  
Vancouver, WA 98683  
USA  
Tel: 1-360-944-7551

Europe Headquarters  
Pulse GmbH & Do, KG  
Zeppelinstrasse 15  
Herrenberg, Germany  
Tel: 49 7032 7806 0

Pulse (Suzhou) Wireless Products Co, Inc.  
99 Huo Ju Road(#29 Bldg,4<sup>th</sup> Phase  
Suzhou New District  
Jiangsu Province, Suzhou 215009 PR China  
Tel: 86 512 6807 9998



Description: GPSLPMBXX Mounting kit

Series: Accessory

PART NUMBER: LPMB4BRACKETxx

## MECHANICAL SPECIFICATIONS

### LPMB4BRACKETMM

Bracket Color/Material	Black / PC
Fixing system	Magnetic mount
Pull Force (in Z direction)	min. 89N (20 lbf)
Side Push Forth (in X/Y direction)	min. 100N (22.5 lbf)
Weight	233g

### LPMB4BRACKETAM

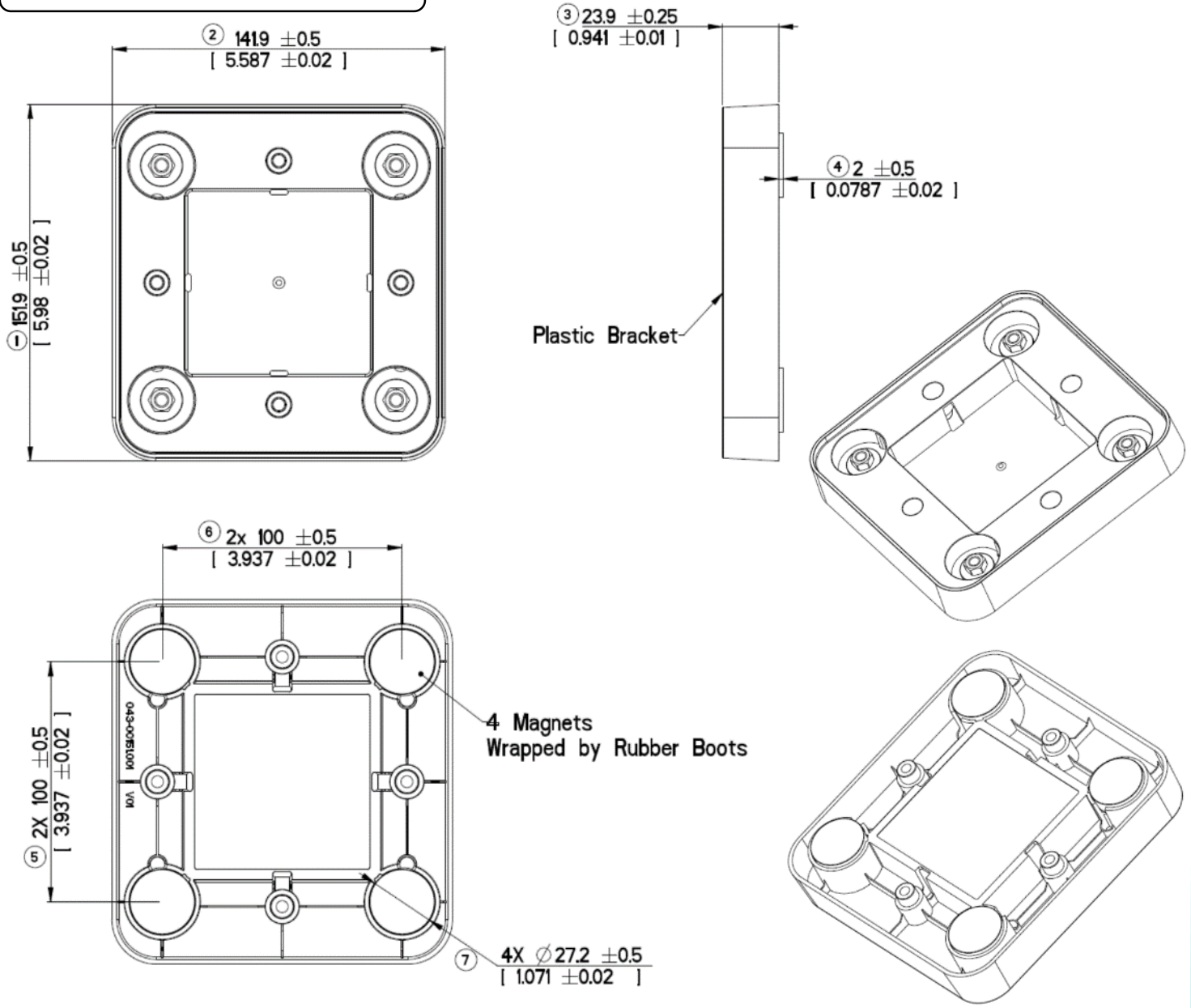
Bracket Color/Material	Black / PC
Fixing system	Adhesive Tape ( 3mm thick 3MVHB 4959)
Weight	120g

## ENVIRONMENTAL SPECIFICATIONS

Operating Temperature	-40 ~ 85° C
Storage Temperature	-40 ~ 85° C
RoHS Compliant	Yes

MECHANICAL DRAWING

LPMB4BRACKETMM



Issue: 1715

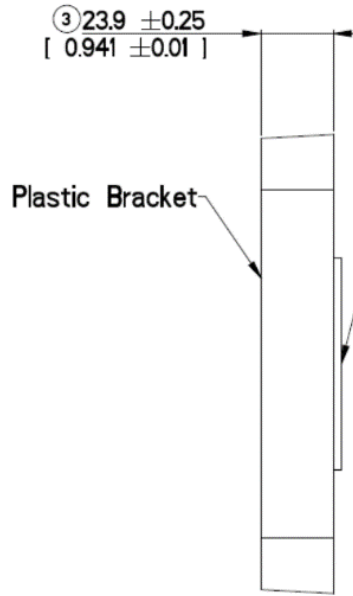
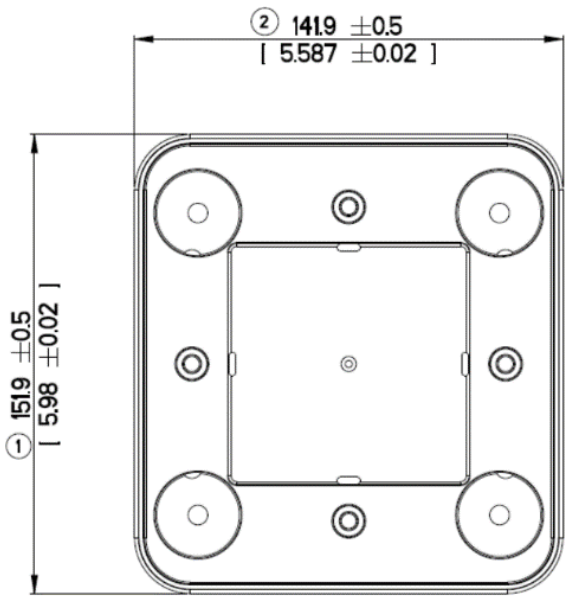
In the effort to improve our products, we reserve the right to make changes judged to be necessary.

CONFIDENTIAL AND PROPRIETARY INFORMATION

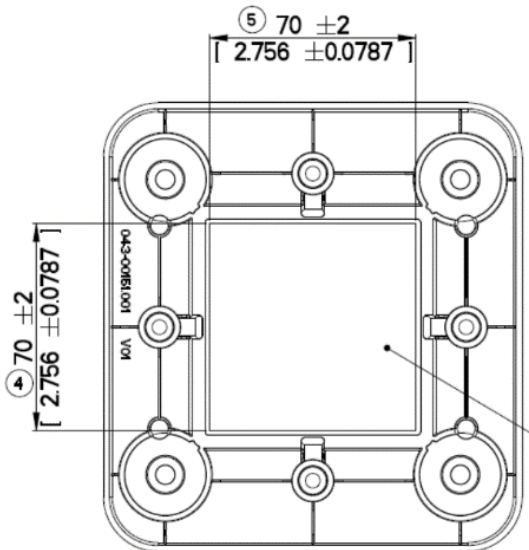
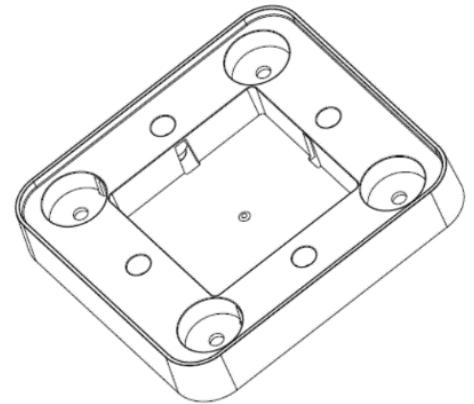
This document contains confidential and proprietary information of Pulse Electronics, Inc. (Pulse) and is protected by copyright, trade secret and other state and federal laws. Its receipt or possession does not convey any rights to reproduce, disclose its contents, or to manufacture, use or sell anything it may describe. Reproduction, disclosure or use without specific written authorization of Pulse is strictly forbidden.

MECHANICAL DRAWING

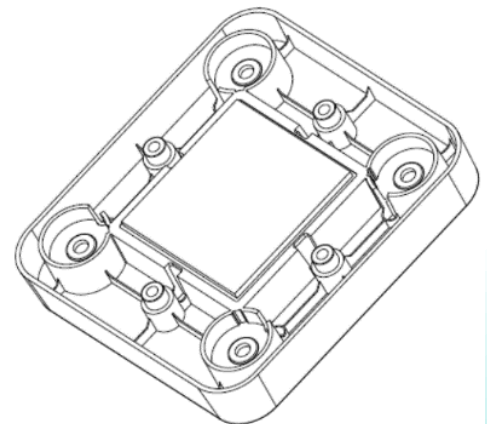
LPMB4BRACKETAM



Adhesive Tape  
3mm thick 3M VHB4959



Adhere the adhesive tape in the recession of the bracket



Issue: 1715

In the effort to improve our products, we reserve the right to make changes judged to be necessary.

CONFIDENTIAL AND PROPRIETARY INFORMATION

This document contains confidential and proprietary information of Pulse Electronics, Inc. (Pulse) and is protected by copyright, trade secret and other state and federal laws. Its receipt or possession does not convey any rights to reproduce, disclose its contents, or to manufacture, use or sell anything it may describe. Reproduction, disclosure or use without specific written authorization of Pulse is strictly forbidden.

Description: GPSLPMBXX Mounting kit

Series: Accessory

PART NUMBER: LPMB4BRACKETxx

## PACKAGING

### LPMB4BRACKETMM:

Each LPMB4BRACKETMM packed in a plastic “Zip” bag,  
30 plastic bags of LPMB4BRACKETMM packed in a carton  
1 label on each box with qty, part number, date code.

### LPMB4BRACKETAM:

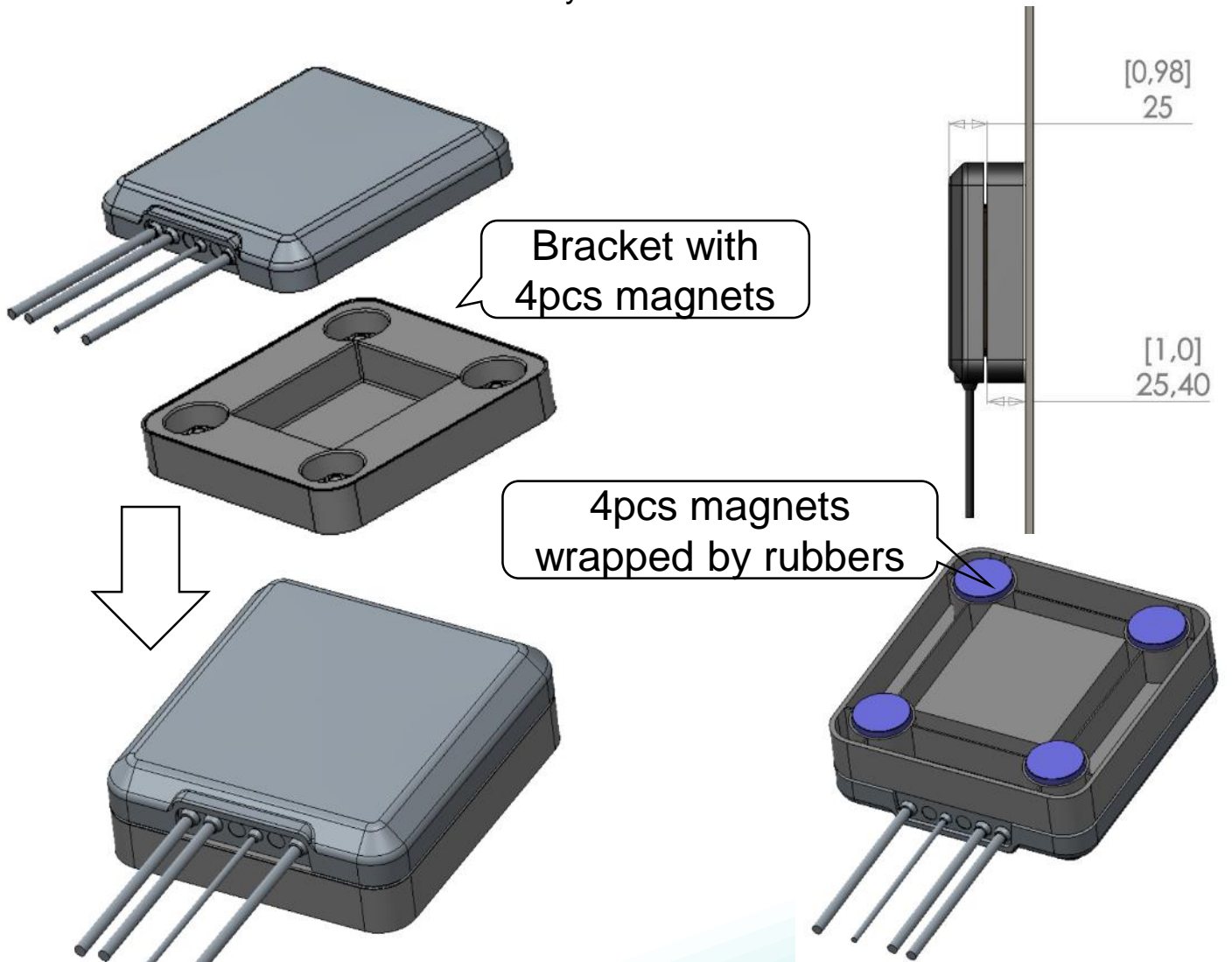
Each LPMB4BRACKETAM packed in a plastic “Zip” bag,  
30 plastic bags of LPMB4BRACKETAM packed in a carton  
1 label on each box with qty, part number, date code.

Installation Instruction

**LPMB4BRACKETMM:**

Apply to the surface of the steel/iron metals, a bracket (LPMB4BRACKETMM) is needed to elevate the antenna 1" higher for the optimum RF performance

Firstly, The antenna adhered on a magnetic bracket by the adhesive tape on the antennas. Then the whole assemble could be attached on the steel metals by the magnets, and also could be removed from the metals easily.



Issue: 1.1.15

In the effort to improve our products, we reserve the right to make changes judged to be necessary.

CONFIDENTIAL AND PROPRIETARY INFORMATION

This document contains confidential and proprietary information of Pulse Electronics, Inc. (Pulse) and is protected by copyright, trade secret and other state and federal laws. Its receipt or possession does not convey any rights to reproduce, disclose its contents, or to manufacture, use or sell anything it may describe. Reproduction, disclosure or use without specific written authorization of Pulse is strictly forbidden.

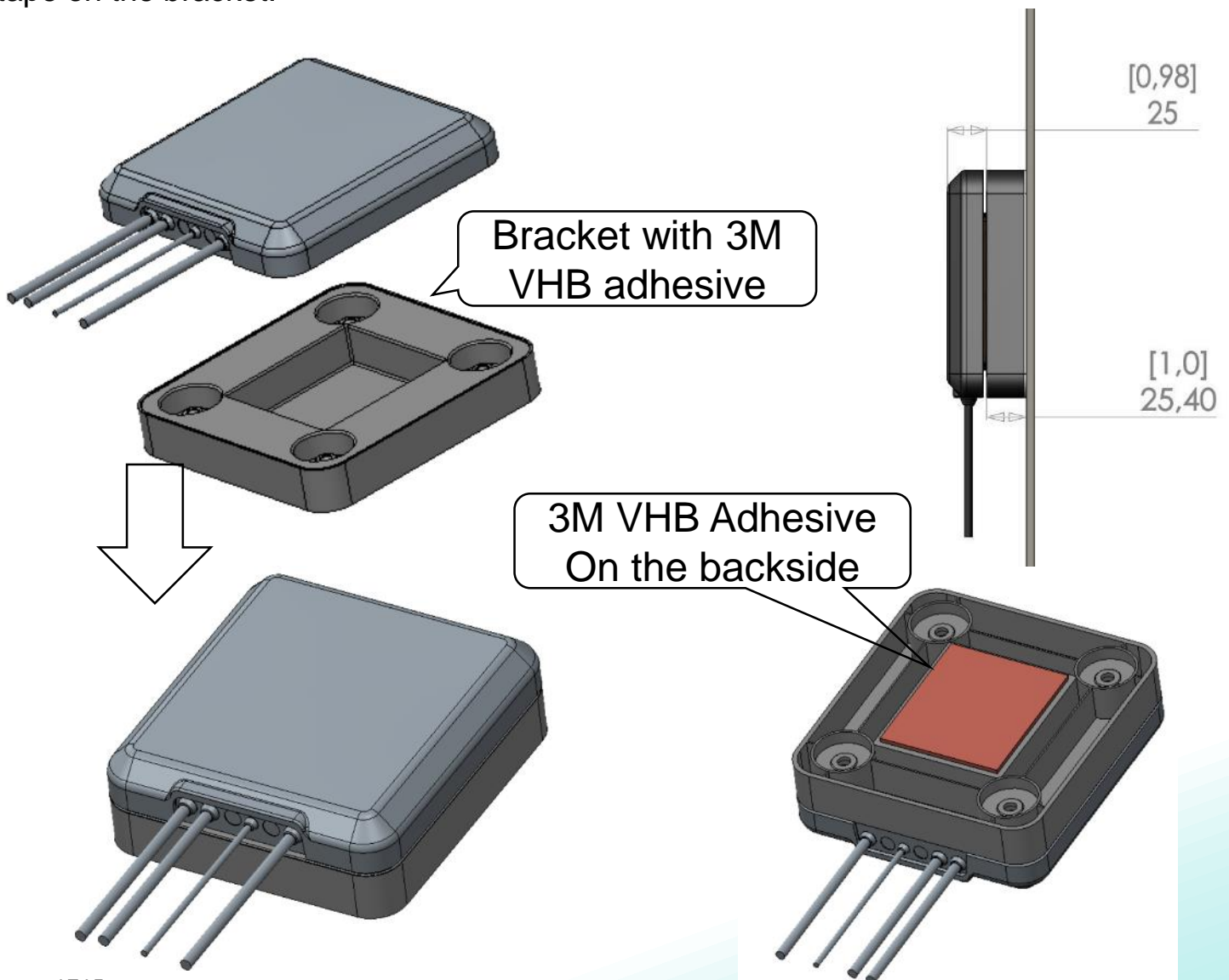
**Installation Instruction**

**LPMB4BRACKETAM:**

Apply to the surface of the steel/iron metals, a bracket (LPMB4BRACKETMM) is needed to elevate the antenna 1" higher for the optimum RF performance

Firstly, the antenna adhered on a bracket by the adhesive tape.

Then the whole assemble could be adhered on the aluminum by the 3MVHB adhesive tape on the bracket.



Issue: 1715

In the effort to improve our products, we reserve the right to make changes judged to be necessary.

CONFIDENTIAL AND PROPRIETARY INFORMATION

This document contains confidential and proprietary information of Pulse Electronics, Inc. (Pulse) and is protected by copyright, trade secret and other state and federal laws. Its receipt or possession does not convey any rights to reproduce, disclose its contents, or to manufacture, use or sell anything it may describe. Reproduction, disclosure or use without specific written authorization of Pulse is strictly forbidden.