

PART  
NAME

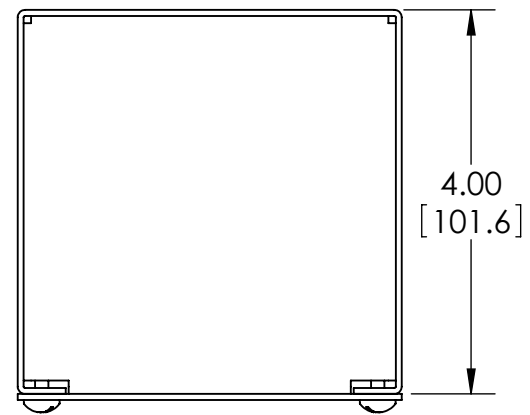
JUNCTION BOX

PART  
No.

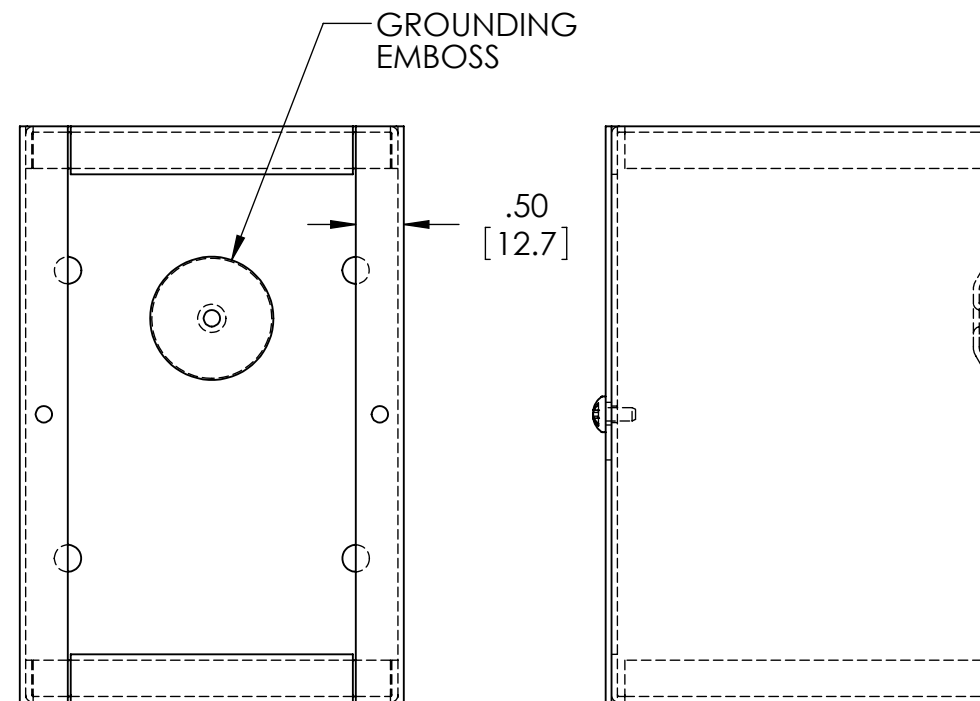
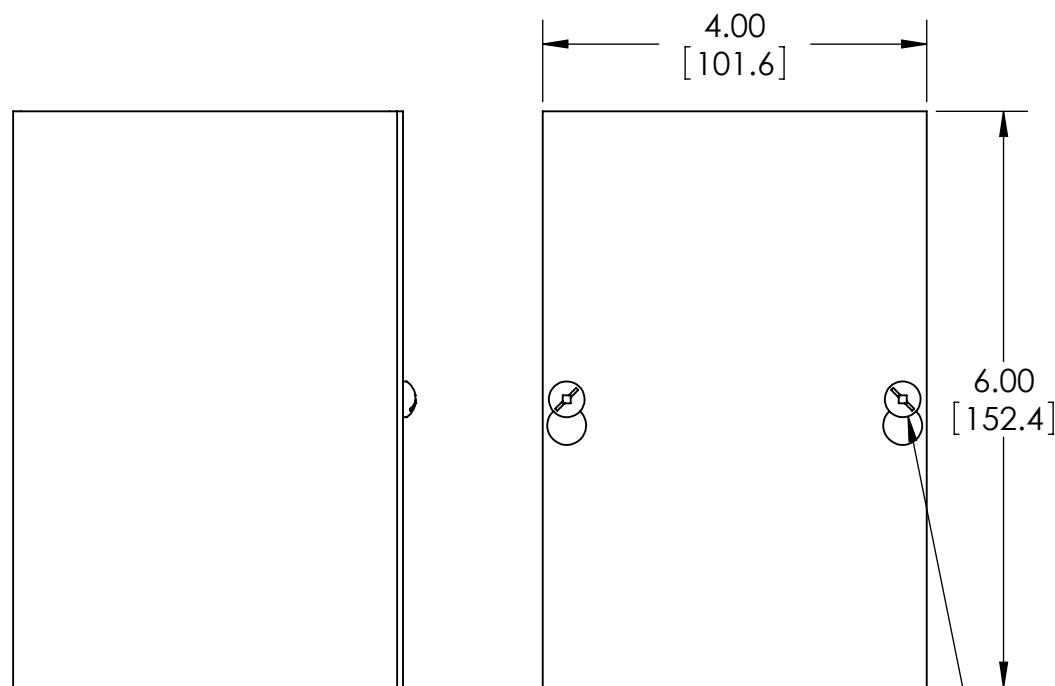
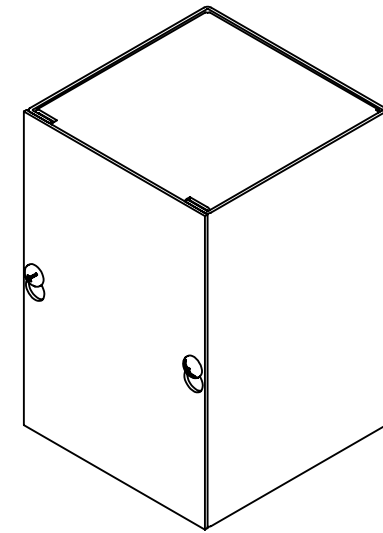
JB-3953

REVISION  
DATE

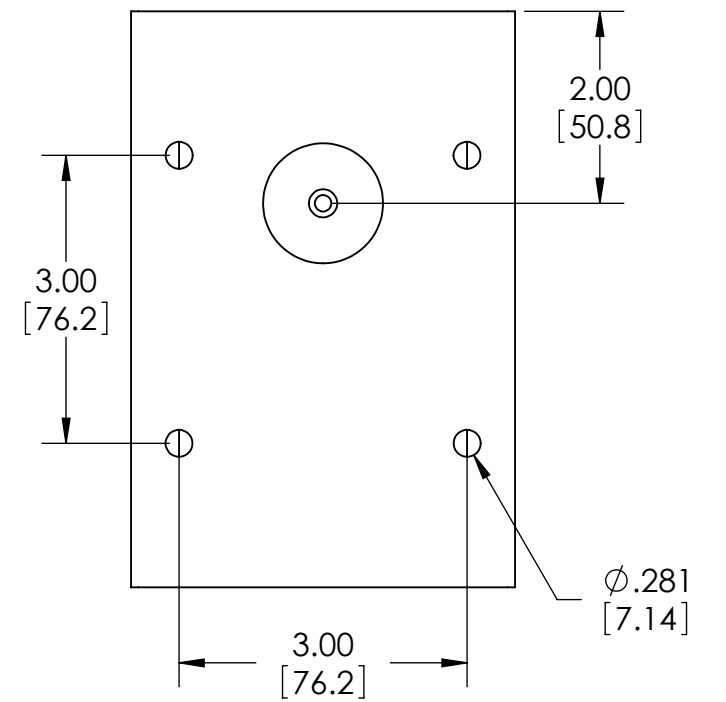
7-18-11



MATERIAL - 16 GA. [1.5mm] STEEL  
FINISH - SMOOTH GRAY POWDERCOAT



**COVER REMOVED**



SCREWS: #10-32 x .31" [8mm] LG.  
MACHINE, PAN HEAD, SLOTTED/SQUARE  
COMBINATION STYLE DRIVE, STEEL, ZINC PLATED.  
(SUPPLIED FOR COVER MOUNTING AND  
FOR GROUND POINT).

