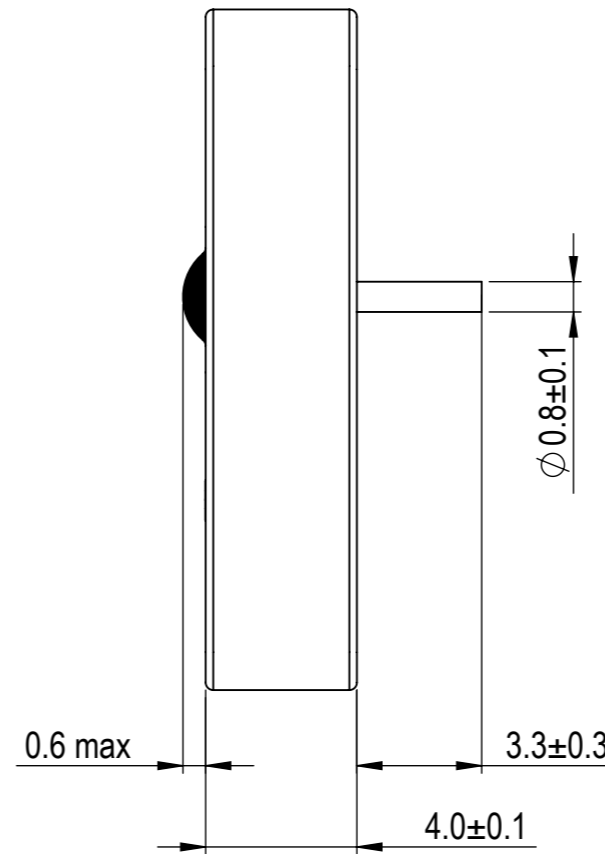
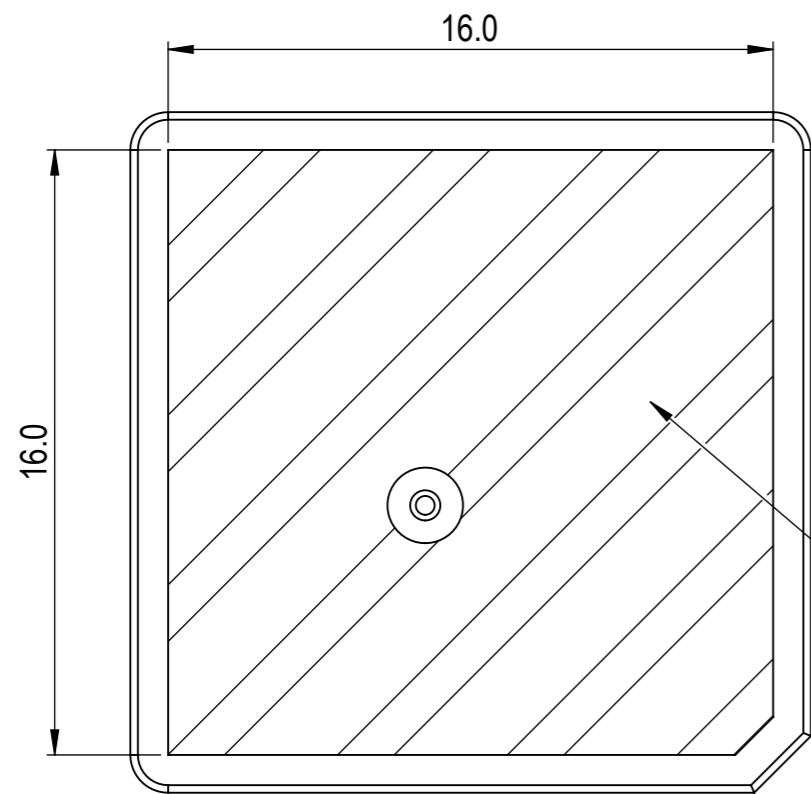
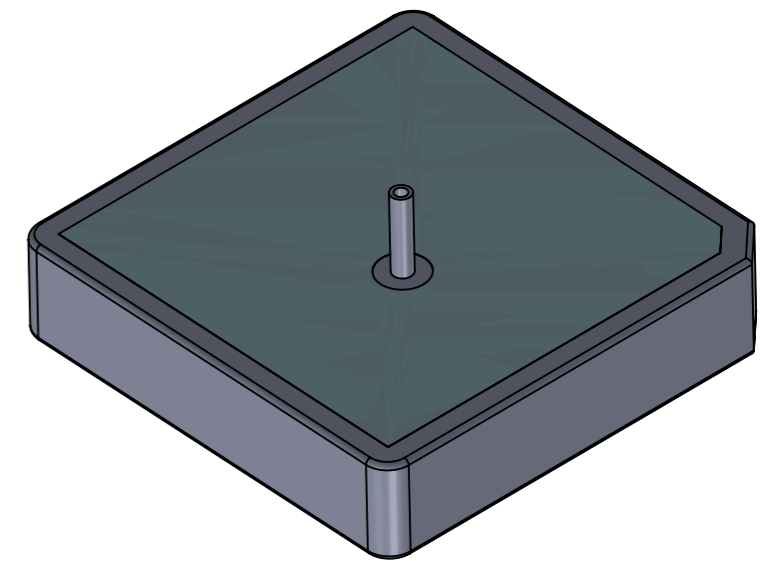
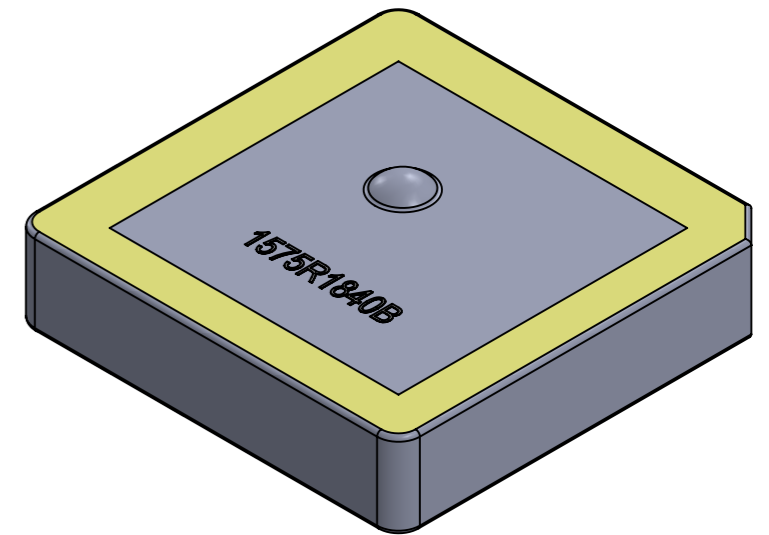


TOP VIEW




SIDE VIEW



BOTTOM VIEW

ADHESIVE TAPE

UNLESS OTHERWISE SPECIFIED: DIMENSIONS ARE IN MM SURFACE FINISH: TOLERANCES: LINEAR: ANGULAR:				FINISH:		DEBUR AND BREAK SHARP EDGES		DO NOT SCALE DRAWING		REVISION -	
DRAWN XXXXXX				SIGNATURE		DATE		 30332 Esperanza, Rancho Santa margarita, California 92688			
CHK'D XXXXXX											
APPV'D								TITLE: 1575.42MHz; 18X18X4mm GPS Patch Antenna			
MFG								DWG NO. APAE1575R1840BADB1F-T A3			
Q.A						MATERIAL:		SCALE:5:1 SHEET 1 OF 1			
						WEIGHT:					