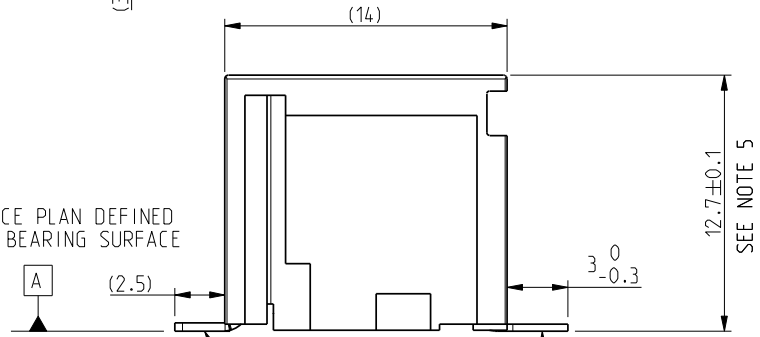
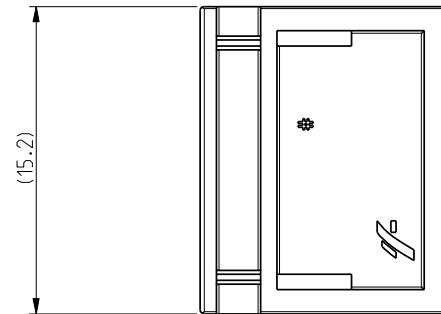
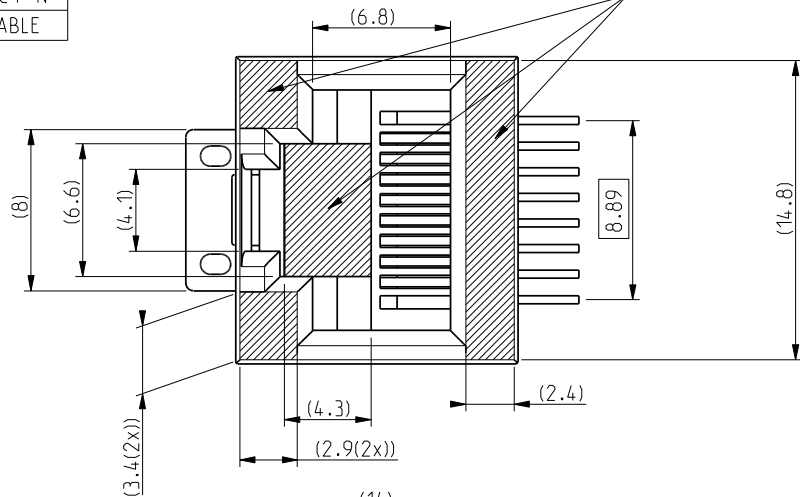


PRODUCT N°
SEE TABLE

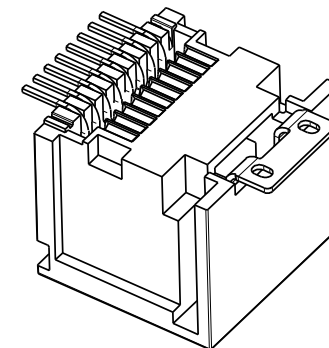
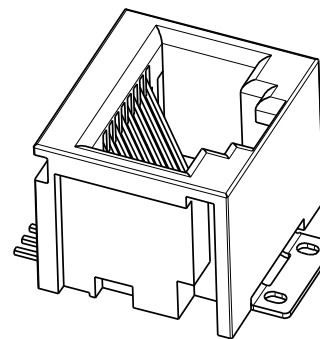
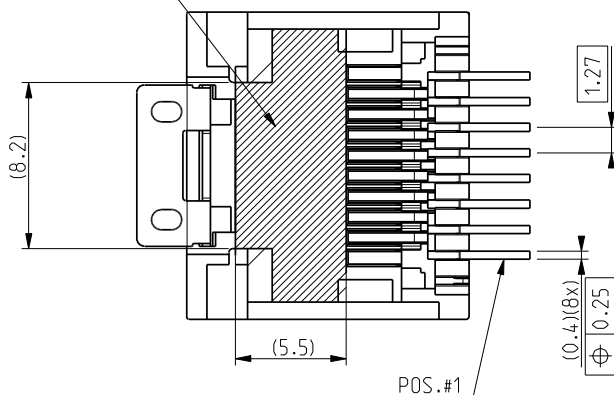
SEE NOTE 3



SEE NOTE 5

0.1
SEE NOTE 6

SEE NOTE 3



Copyright FCI.

www.fciconnect.com		surface ISO 1302	-	tolerance std ±0.13 ±2°	projection ⊕	mm
TOLERANCES UNLESS OTHERWISE SPECIFIED						
Dr	D LEGRAND	02.09.16	ANGULAR	0.x ±y	size A3	Scale 4:1
Eng	P NIZZI	02.09.16	LINEAR	0.xx ±y	ECN	
Chr	D LEGRAND	02.09.16	0° ±y°	0.xxx ±y	Spec ref	-
Appr	P NIZZI	02.09.16	Product family	MODULAR JACK		
FCI		Title VERTICAL SMT 8 POSITIONS			dwg no 98435	Rev. P
		catalog no		98435-14 1LF	CUSTOMER	sheet 1 of 2

rev	ecn no	dr	date
L	F05-0247	DLE	05.09.30
M	F06-0242	DLE	06.07.20
N	F08-0127	LSA	08-02-15
P	F11-0333	APA	11-08-17
-	-	-	-
-	-	-	-
-	-	-	-

REV E - 2006-03-28

PRODUCT N°
98435-XXXHLF

CONTACT PLATING OPTION
1= GXT 0.76 μm
3= 0.76 μm GOLD
5= 1.27 μm GOLD

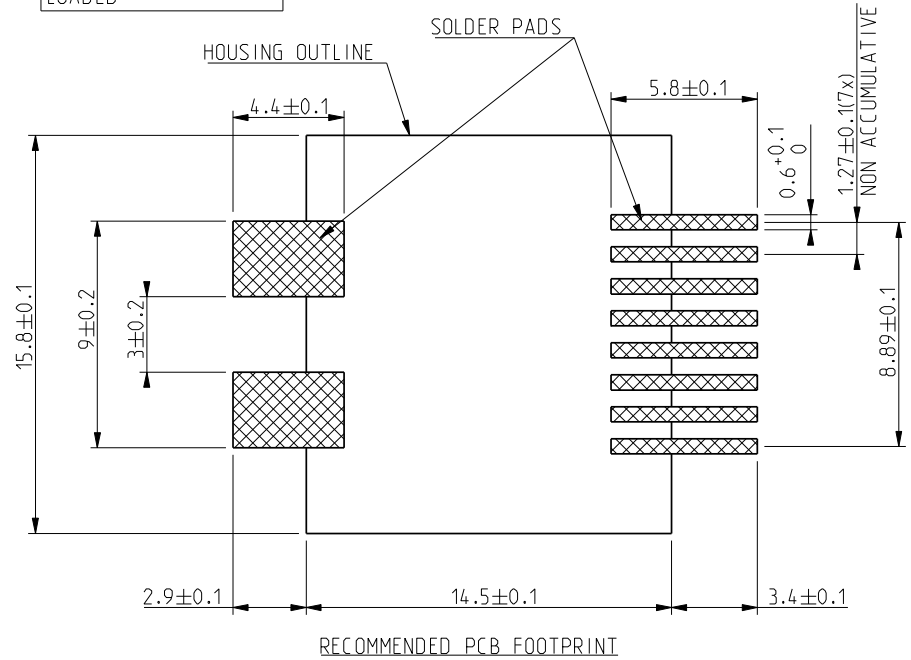
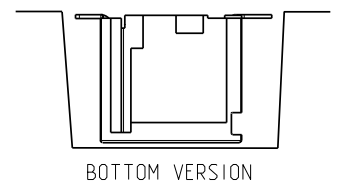
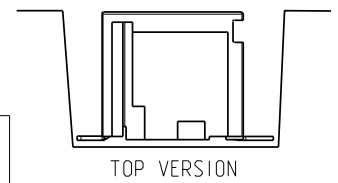
PACKAGE OPTIONS
TAPE AND REEL PACKAGE 1= LOADED FACE UP
TAPE AND REEL PACKAGE 2= LOADED FACE DOWN

VERSION
TOP
BOTTOM

TERMINAL LOADING OPTIONS
1 = FULLY LOADED 8 POSITIONS
2 = ONLY POS 1,2,7,8 LOADED
3 = ONLY POS 3,4,5,6 LOADED

HALOGEN FREE OPTION
SEE NOTE 8

WHEN NEEDED, SUFFIX LETTER "LF"
INDICATES THE PRODUCT IS RoHS
COMPATIBLE SEE NOTE 7.



NOTES:

- 1 - MATERIAL:
HOUSING: HIGH TEMP. PLASTIC, COLOR BLACK
TERMINAL PHOSPHOR BRONZE
- 2 - PLATING
CONTACT AREA: OPTIONAL SEE TABLE
SOLDER TAIL: SnPb 90/10 2 μm MIN
NO RAW EDGES EXCEPT SOLDER TAILS TIPS
- 3 - AREA FOR VACUUM PICK AND PLACE VENTURY
- 4 - PACKAGING SPECIFICATION SEE TA 858
- 5 - DIMENSION MEASURED FROM "A" TO THE TOP OF PRODUCT
- 6 - COPLANARITY SEE TA 861.
- 7 - RoHS COMPATIBLE PRODUCT SPECIFICATIONS
 - a - PLATING:
- "LF" MEANS THE PRODUCT IS LEAD-FREE,
2 μm MINIMUM MATTE TIN OVER 1.27 μm
MINIMUM NICKEL UNDERPLATE.
 - b - MANUFACTURING PROCESS COMPATIBILITY:
- THE HOUSING WILL WITHSTAND EXPOSURE TO
245 °C PEAK TEMPERATURE FOR 30 SECONDS
MAX IN A CONVECTION, INFRA-RED OR VAPOR
PHASE OR REFLOW OVEN.
- c - LABELLING:
- MEETS PACKAGING SPECS AS PER GS-14-920.
- d - LEGAL STATEMENT: SEE GS-22-008
- 8 - HOUSING MADE FROM HIGH TEMPERATURE HALOGEN FREE RESIN
30% GLASS FILLED FLAME RETARDANT PER UL-94V-0 BLACK COLOR
OMIT "H" FROM PRODUCT NUMBER IF THIS OPTION IS NOT REQUIRED

Copyright FCJ

www.fciconnect.com		surface ISO 1302	- ✓	tolerance std ±0.13 ±2°	projection ⊕	mm
TOLERANCES UNLESS OTHERWISE SPECIFIED						
Dr	D LEGRAND	02.09.16	ANGULAR	0.x ±y	size A3	Scale 5:1
Eng	P NIZZI	02.09.16	LINEAR	0.xx ±y	ECN	
Chr	D LEGRAND	02.09.16	0° ±y°	0.xxx ±y	Spec ref	-
Appr	P NIZZI	02.09.16	Product family	MODULAR JACK		
Title VERTICAL SMT 8 POSITIONS		catalog no 98435-14 1LF		customer	98435	Rev. P
				sheet 2 of 2		