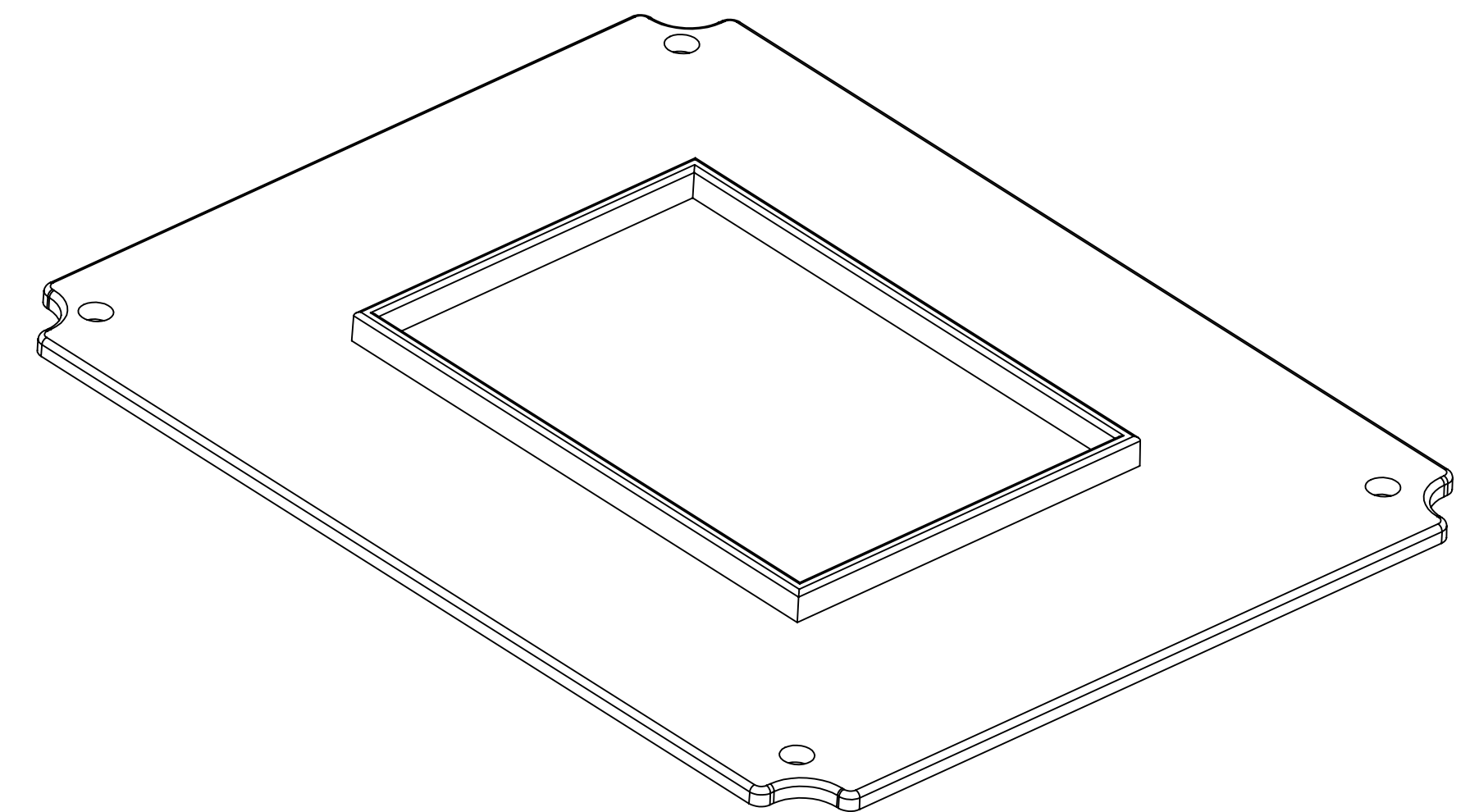
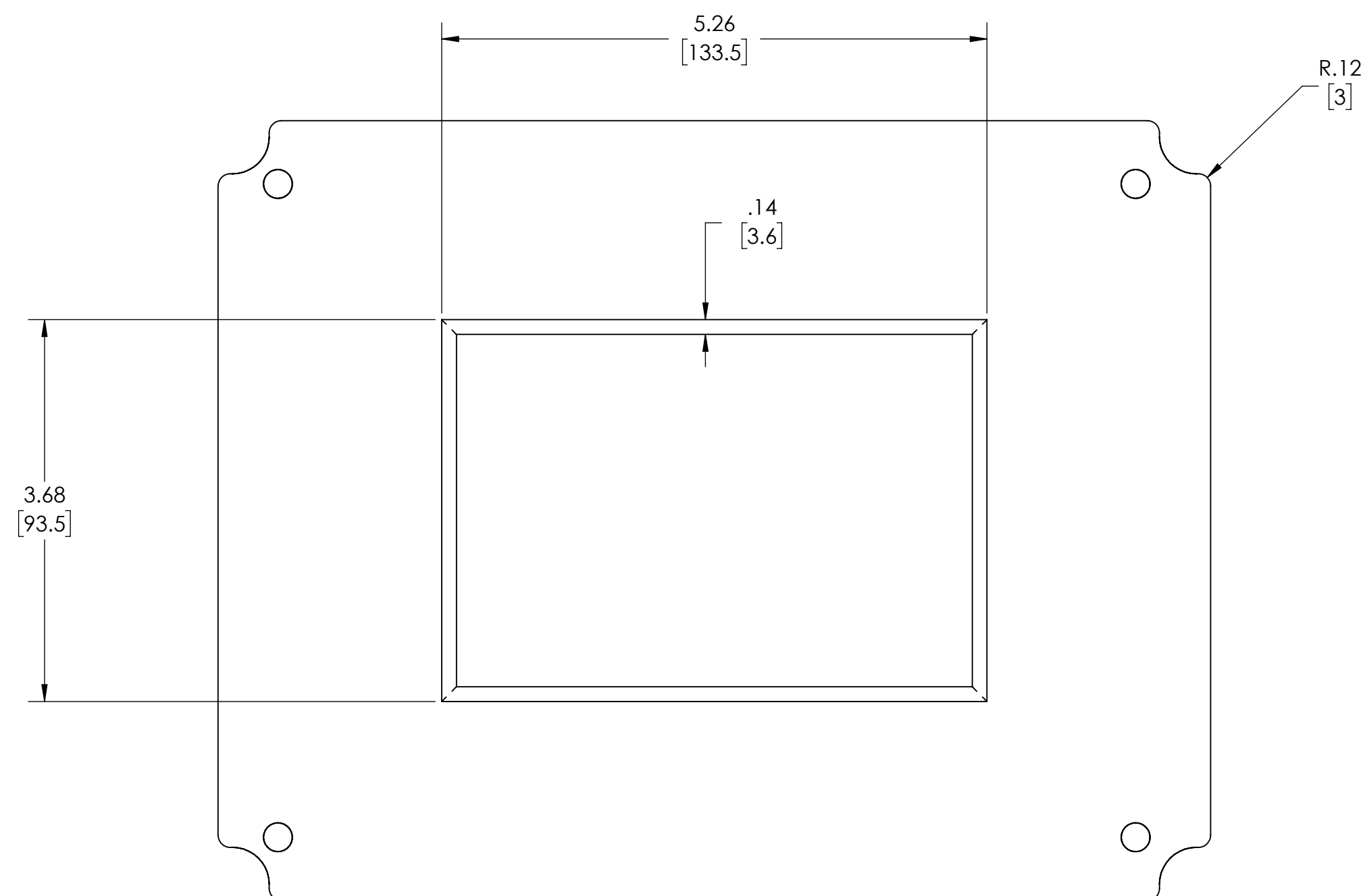
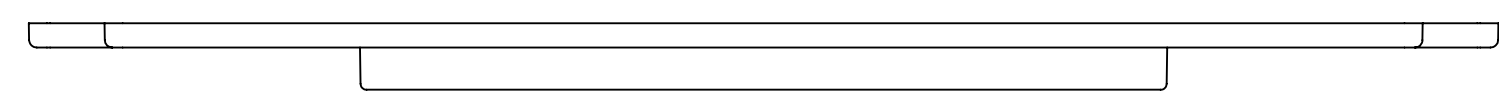
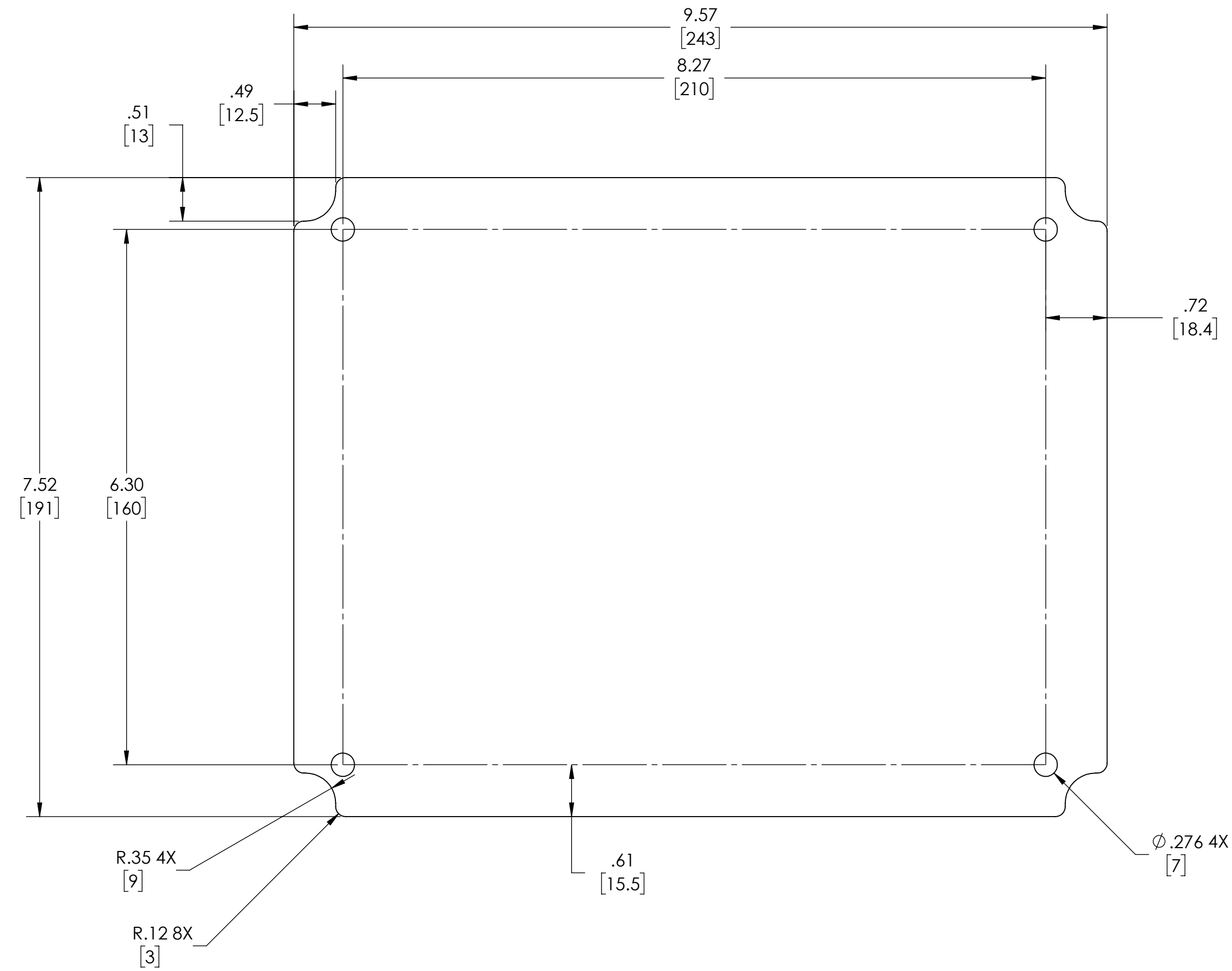


**DRAWING FOR REFERENCE**  
 WE RESERVE THE RIGHT TO MAKE CHANGES TO OUR  
 STANDARD PRODUCTS. PLEASE CONSULT WITH BUD INDUSTRIES  
 PRIOR TO USING THIS DRAWING FOR DESIGN PURPOSE.



MATERIAL - ABS PLASTIC  
 FINISH - LIGHT GRAY  
 DIMENSIONS ARE INCH[MM]  
 PANEL FITS THE FOLLOWING ENCLOSURES:  
 PTH-22422 & PTH-22422-C