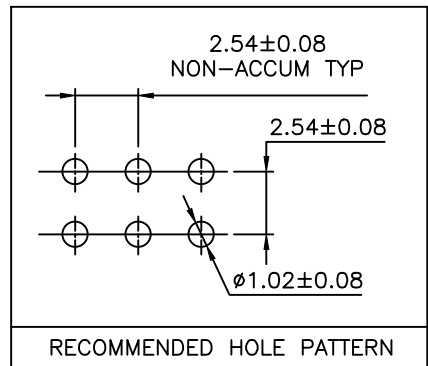
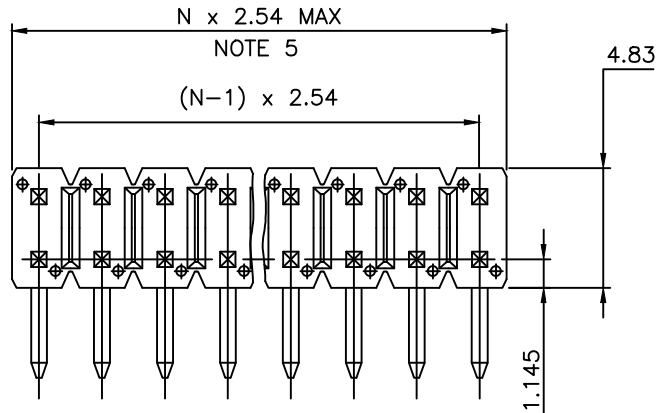


PRODUCT NUMBER

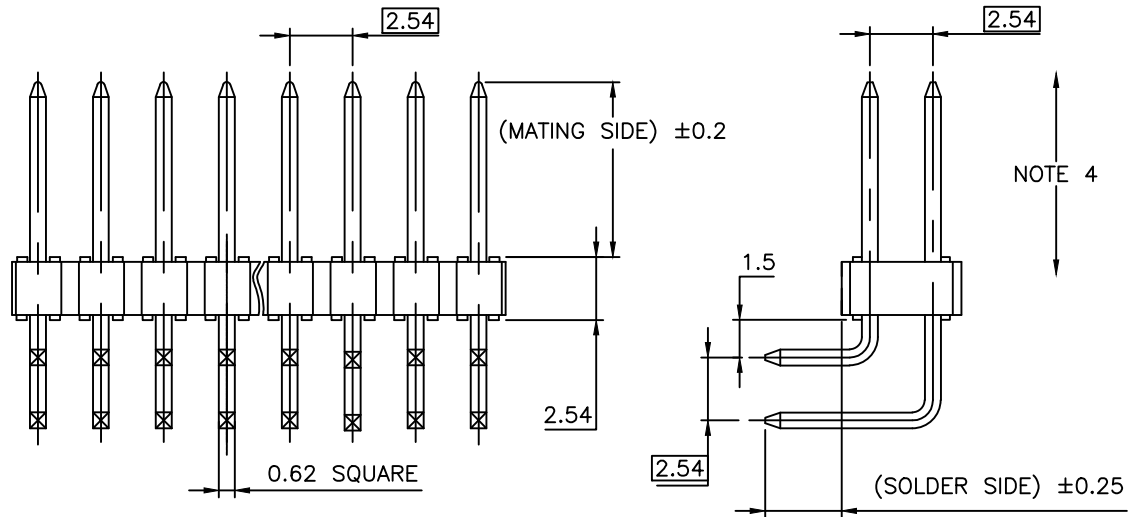
77317-YXX-XXLF

- RoHS COMPATIBLE
SEE NOTE 7
- TOTAL NB OF POSITIONS 04 TO 72
- PIN STYLE SEE SHEET 2
- PLATING SEE SHEET 2



NOTES:

1. HOUSING MAT'L : HIGH TEMPERATURE THERMOPLASTIC. UL94V-0 COLOR: BLACK
2. PIN MATERIAL : PHOSPHOR BRONZE
3. STANDARD PACKAGING IN POLYBAG
4. 9N MIN RETENTION IN EITHER DIRECTION
5. TO DETERMINE DIMENSIONS :
N = NUMBER OF POSITIONS PER ROW
EXAMPLE : 8 POS $N \times 2.54 = 20.32\text{mm}$
6. UNDERPLATING : $1.27\mu\text{m}$ Ni MIN
7. RoHS COMPATIBLE PRODUCT SPECIFICATIONS
 - a - PLATING:
 - "LF" MEANS THE PRODUCT IS LEAD-FREE, $2\mu\text{m}$ MINIMUM MATTE TIN OVER $1.27\mu\text{m}$ MINIMUM NICKEL UNDERPLATE.
 - b - MANUFACTURING PROCESS COMPATIBILITY
 - THE HOUSING WILL WITHSTAND EXPOSURE TO $260^\circ\text{C} \pm 5^\circ\text{C}$ SOLDER BATH TEMPERATURE FOR 5 SECONDS IN A WAVE SOLDER APPLICATION WITH A 1.6mm MIN THICK CIRCUIT BOARD.
 - c - LABELING:
 - MEETS PACKAGING SPECS AS PER GS-14-920
 - d - LEGAL STATEMENT: SEE GS-47-0004



mat'l. code SEE NOTES		surface ISO 1302 <input checked="" type="checkbox"/> ISO 406 ISO 1101		projection 	product family BERGSTIK	
ltr ecn no dr date		tolerances unless otherwise specified			title UNSHR.HEADER RA DR TMT	
AH	B-18916	LMU	14.09.29		angles	.X ± 0.3
AJ	B-19783	AMA	14.12.18	linear	.XX ± 0.15	sheet 1 of 2
AK	B-21242	AMA	15.06.25		.XXX ± 0.05	size A3
AL	F-23305	AMA	16.02.19	dr	D.LE	01.01.24
				enr	JM.C	01.01.24
AF	F09-0212	LMU	09.11.03	chr	JM.C	01.01.24
AG	F11-0320	LMU	12.01.25	appd	JF.N	01.01.24
sheet index	revision sheet	AL	AH			
	1	2				

Copyright FCJ
 FCJconnect.com

PLATING

- 1 = 0.76µm GOLD/GXT ON CONTACT AREA, 2µm TIN MIN ON TAIL
- 4 = 2µm TIN MIN FULL PLATED
- 5 = 0.25µm GOLD/GXT ON CONTACT AREA, 2µm TIN MIN ON TAIL
- 8 = 0.38µm GOLD/GXT ON CONTACT AREA, 2µm TIN MIN ON TAIL
- G = 0.76µm FULL GXT
- S = 0.38µm FULL GXT
- 1.27µm NICKEL MIN UNDERLAYER FOR ALL PLATING VERSIONS

PRODUCTS SPECIFICATIONS		
PIN STYLE	MATING	SOLDER
01	5.72	2.57
03	5.84	2.54
04	5.84	3.05
12	6.80	3.05
14	10.00	2.70
15	7.00	16.40
16	7.80	13.50
17	7.48	1.60
18	8.80	2.90
19	2.60	2.60
20	N/A	
21	10.89	3.05
22	3.51	3.51
23	7.20	3.05



Copyright FCI

mat'l. code		surface		tolerance		projection		product family	
SEE NOTES		ISO 1302 ✓		ISO 406 ISO 1001				BERGSTIK	
ltr	ecn no	dr	date	tolerances unless otherwise specified		mm		title	
AG	B-21242	AMA	15.06.25	angles	.X ±0.3			UNSHR.HEADER RA DR TMT	
AH	F-23305	AMA	16.02.19	linear	.XX ±0.15				
					.XXX ±0.05	scale 5:1		dwg no	
AC	F08-0148	RTR	08.03.31	dr	D.LE	01.01.24		sheet 2 of	
AD	F09-0212	LMU	09.11.03	engr	JM.C	01.01.24		77317	
AE	F11-0320	LMU	12.01.25	chr	JM.C	01.01.24		A3	
AF	B-18916	LMU	14.09.29	appd	JF.N	01.01.24		type	
sheet	revision								
index	sheet								

