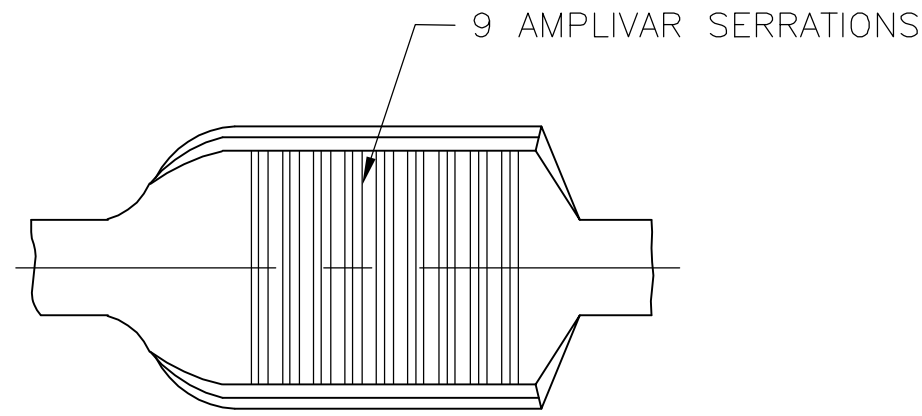
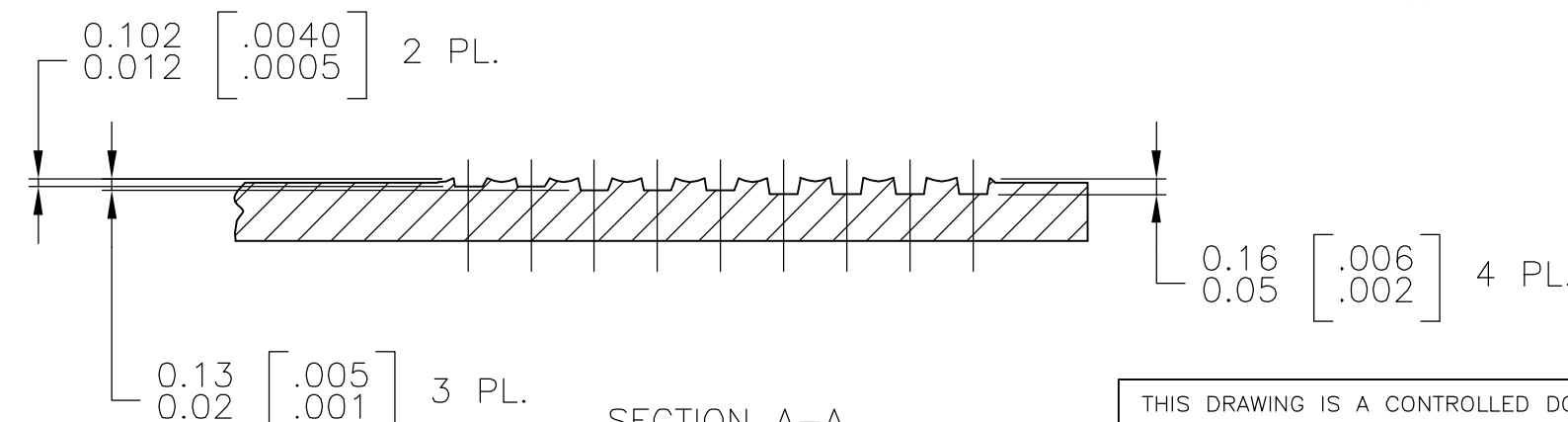
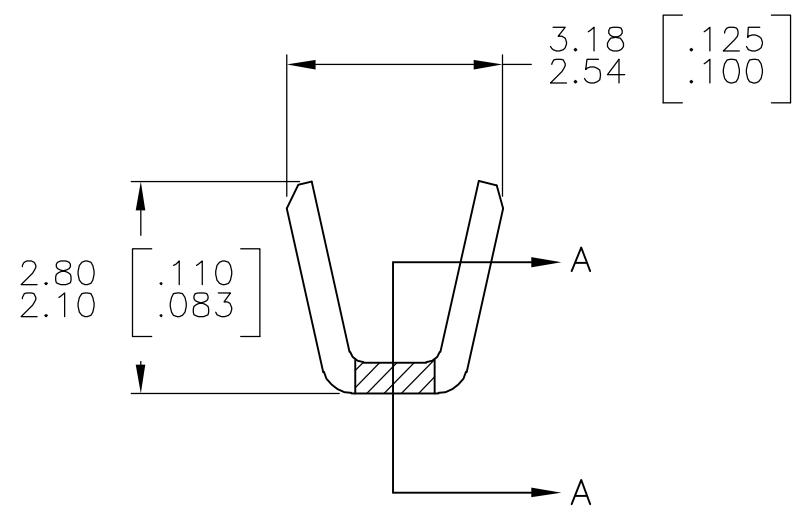
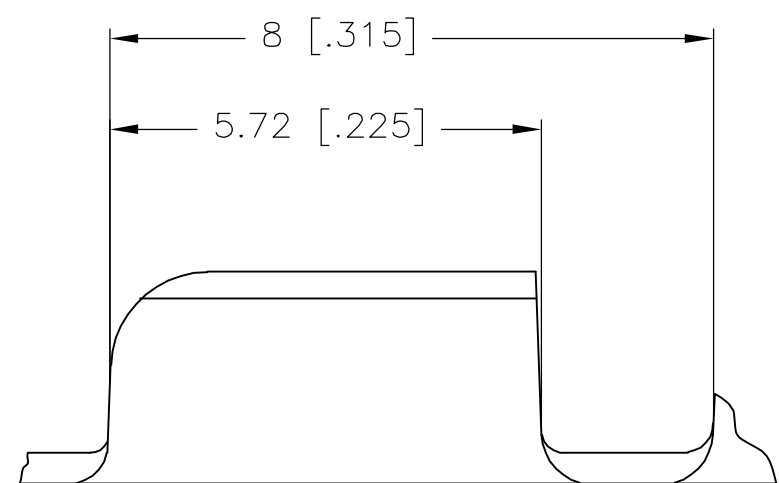


THIS DRAWING IS UNPUBLISHED. RELEASED FOR PUBLICATION
 © COPYRIGHT BY TYCO ELECTRONICS CORPORATION. ALL RIGHTS RESERVED.

LOC	DIST	REVISIONS					
AF	50	P	LTR	DESCRIPTION	DATE	DWN	APVD
			E1	ECR-06-003925 (REDRAWN IN AUTOCAD)	31JAN06	HMR	GDP



1. PRODUCT PROVIDED IN STRIP FORM ON REELS; BREAKS MAY BE PRESENT.
2. DIMENSIONS IN BRACKETS ARE IN INCHES.
3. CRIMP WIDTH: .080 F (AMPLIVAR TYPE)
 CRIMP HEIGHT $(\pm .002) = (\text{TOTAL CMA} + 5320) / 139,200$
 GENERAL APPLICATION GUIDELINES MUST BE FOLLOWED AS SPECIFIED IN CATALOG #82221
 FOR APPLICATOR INFORMATION CALL: 1-800-722-1111
 FOR PRODUCT INFORMATION CALL: 1-800-522-6752



SECTION A-A
SCALE 20:1

METRIC

THIS DRAWING IS A CONTROLLED DOCUMENT.		DWN	RAGHAVENDRA	31JAN06	Tyco Electronics Corporation Harrisburg, PA 17105-3608		
DIMENSIONS: mm [INCHES]		CHK	G.D.PORTA	-	APVD G.D.PORTA PRODUCT SPEC - APPLICATION SPEC - 114-2003 WEIGHT -		
		TOLERANCES UNLESS OTHERWISE SPECIFIED:		NAME		SPLICE, AMPLIVAR 400 TO 1500 CMA	
MATERIAL		FINISH		SIZE	CAGE CODE	DRAWING NO	RESTRICTED TO
0.41 [.016] BRASS		TIN PL.		A3	00779	C-62303	-
CUSTOMER DRAWING				SCALE	10:1	SHEET	1 OF 1
				REV	E1		

62303-2
PART NO