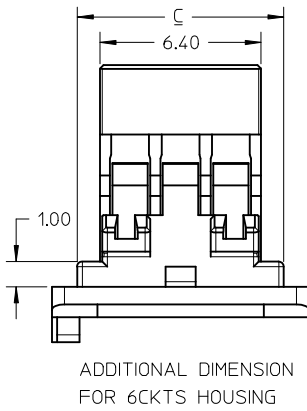
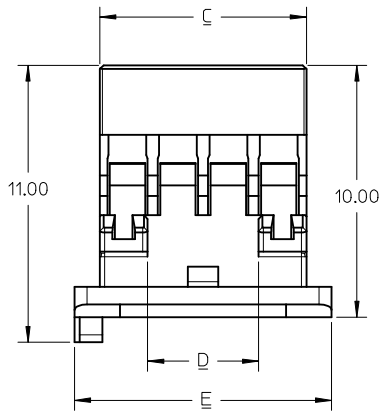
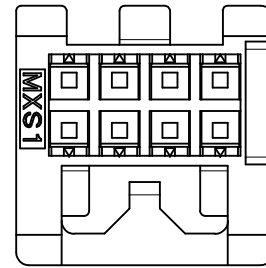
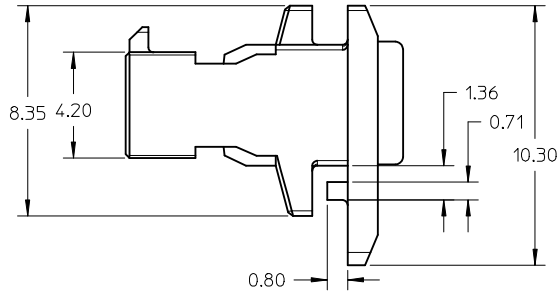
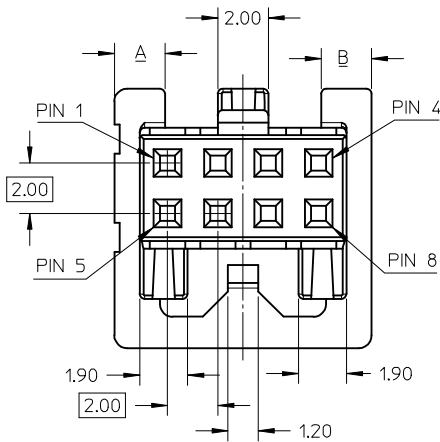


NOTES:

1. MATERIALS: POLYESTER, UL 94V-0, BLACK
2. PRODUCT SPECIFICATION: PS-151014-0001
3. USE FEMALE CRIMP TERMINAL: 50394-8***
4. APPLICABLE WIRE RANGE: AWG#24-#30
5. PACKAGING: BULK , PK-151014-0001
6. MATES WITH: 151013 SERIES
7. WHEN THIS PRODUCT IS USED AS A BLIND MATING APPLICATION THE SYSTEM LEVEL DESIGN MUST INCORPORATE GUIDANCE SO THE CONNECTORS ARE WITHIN THE CAPTURE ENVELOPE OF THE FLANGES ON THE HEADER OR PLUG HOUSING AND CAN THUS ALIGN THEMSELVES AS THEY COME TOGETHER
8. THIS PART CONFORMS TO CLASS B REQUIREMENTS OF COSMETIC SPEC PS-45499-002
9. USE TOOL NUMBER 63813-1400 TO REMOVE TERMINAL FROM HOUSING WHEN NECESSARY
CAUTION: TERMINALS MUST NOT BE REUSED AFTER REMOVAL.
10. MOLEX LOGO AND CAVITY ID TO BE LOCATED APPROXIMATELY AT SHOWN
11. NON FUNCTIONAL CORING IS SUBJECTED TO CHANGES WITHOUT NOTICE



ADDITIONAL DIMENSION FOR 6CKTS HOUSING

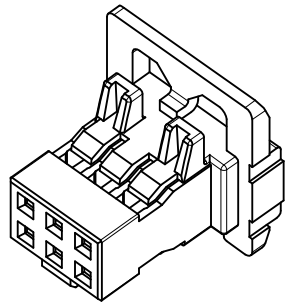
20	8.00	8.00	20.40	16.40	22.20	23.30	2.60	11.70	2.60	11.10	20.90	1510140020	YES
18	7.00	7.00	18.40	14.40	20.20	21.30	2.60	10.70	2.60	10.10	18.90	1510140018	
16	6.00	6.00	16.40	12.40	18.20	19.30	2.60	9.70	2.60	9.10	16.90	1510140016	
14	5.00	5.00	14.60	10.40	16.20	17.30	2.60	8.70	2.60	8.10	14.90	1510140014	
12	4.00	4.00	12.40	8.40	14.20	15.30	2.60	7.70	2.60	7.10	12.90	1510140012	
10	3.00	3.00	10.40	6.40	12.20	13.30	2.60	6.70	2.60	6.10	10.90	1510140010	
8	2.00	2.00	8.20	4.40	10.20	11.20	2.40	5.60	2.50	5.00	8.80	1510140008	
6	2.00	2.00	8.20	2.40	10.20	10.30	2.40	4.80	2.50	5.00	7.00	1510140006	
CKT NO.	A	B	C	D	E	F	G	H	J	K	L	MATERIAL NO.	TOOLED

RELEASE FOR PRODUCTION
 EC NO: S2017-0392
 DRW: EANG 2017/01/04
 CHKD: CGOH 2017/01/13
 APPR: KHL IM 2017/01/18

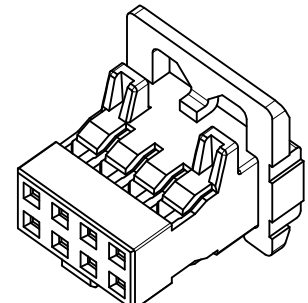
QUALITY SYMBOLS	DESCRIPTION
$\nabla_A = 0$	
$\nabla_C = 0$	
$\nabla_B = 0$	

GENERAL TOLERANCES (UNLESS SPECIFIED)		DIMENSION STYLE		SCALE	DESIGN UNITS	THIRD ANGLE PROJECTION
		MM ONLY		NTS	METRIC	
4 PLACES	± --- ± ---	DRAWN BY	DATE	TITLE		
3 PLACES	± --- ± ---	GMENARLY	2015/06/15	2MM PITCH		
2 PLACES	± 0.20 ± ---	CHECKED BY	DATE	CRIMP RECEPTACLE HOUSING		
1 PLACE	± --- ± ---	CGOH	2015/06/29	WITH PANEL MOUNT FEATURE		
0 PLACE	± --- ± ---	APPROVED BY	DATE	molex		
ANGULAR ± 3 °		KHL IM	2015/06/29	DOCUMENT NO.		
DRAFT WHERE APPLICABLE MUST REMAIN WITHIN DIMENSIONS		SEE TABLE		SD-151014-0001		
		SIZE	THIS DRAWING CONTAINS INFORMATION THAT IS PROPRIETARY TO MOLEX INCORPORATED AND SHOULD NOT BE USED WITHOUT WRITTEN PERMISSION			
		A3				

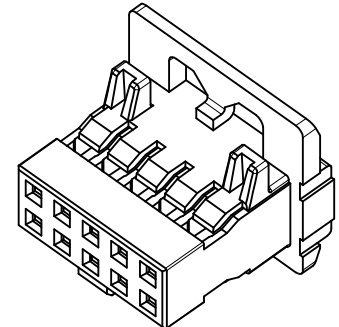
10 9 8 7 6 5 4 3 2 1



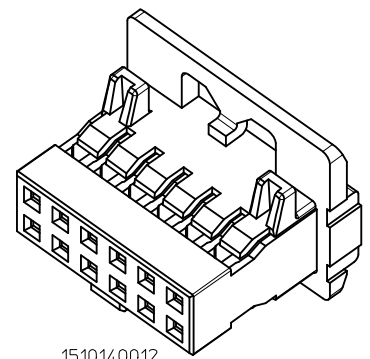
1510140006
6CKTS



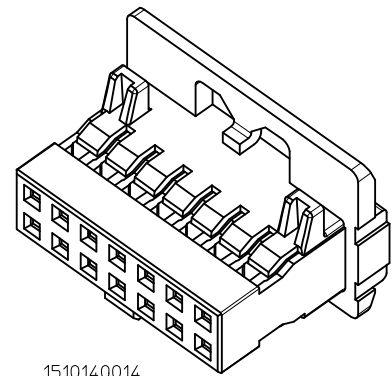
1510140008
8CKTS



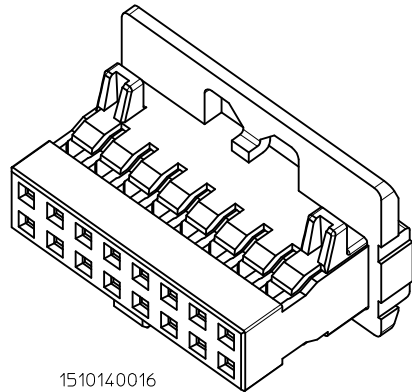
1510140010
10CKTS



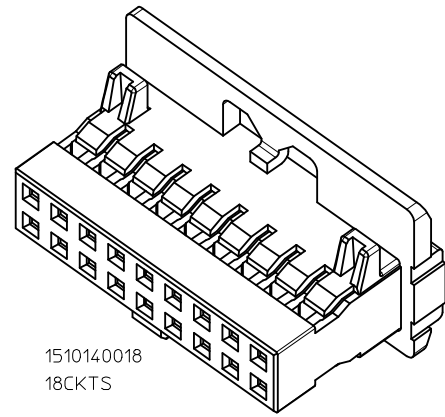
1510140012
12CKTS



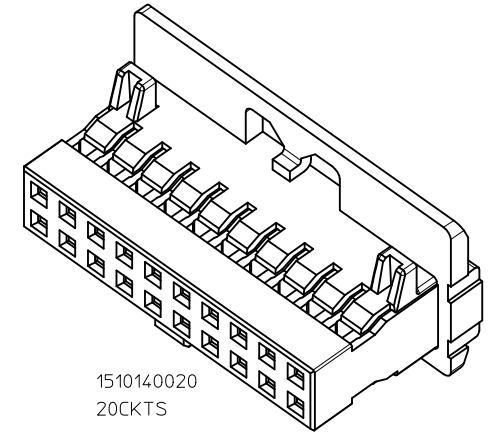
1510140014
14CKTS



1510140016
16CKTS



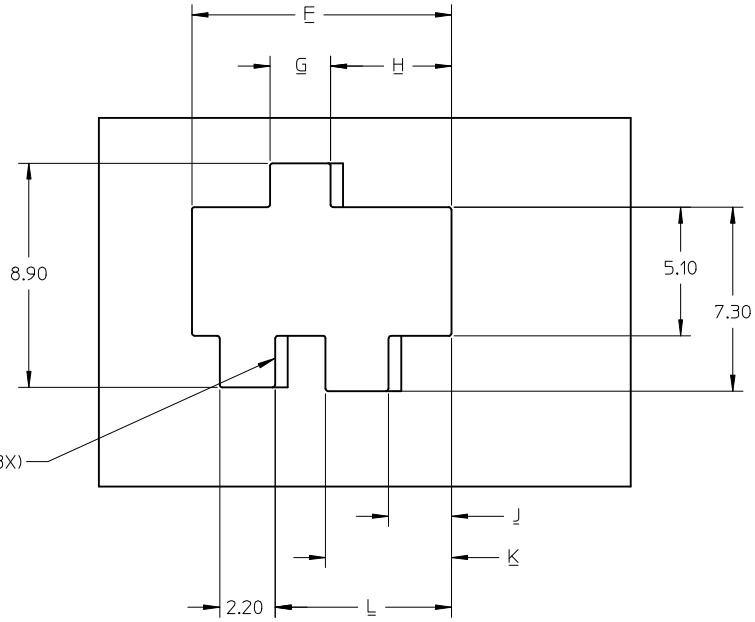
1510140018
18CKTS



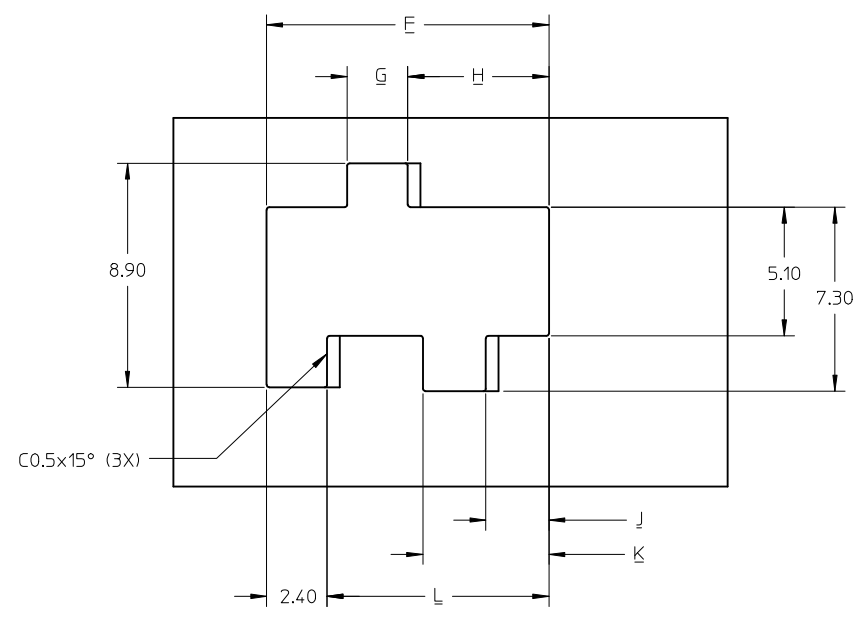
1510140020
20CKTS

RELEASE FOR PRODUCTION EC NO: S2017-0392 DRW:EAANG 2017/01/04 CHKD:CGOH 2017/01/13 APPR:KHLIM 2017/01/18	DESCRIPTION REV	QUALITY SYMBOLS	GENERAL TOLERANCES (UNLESS SPECIFIED)	DIMENSION STYLE	SCALE	DESIGN UNITS	THIRD ANGLE PROJECTION		
		$\nabla_A = 0$ $\nabla_B = 0$ $\nabla_C = 0$	mm INCH 4 PLACES ± --- ± --- 3 PLACES ± --- ± --- 2 PLACES ± 0.20 ± --- 1 PLACE ± --- ± --- 0 PLACE ± --- ± ---	MM ONLY	NTS	METRIC	DRAWN BY: GMENARLY CHECKED BY: CGOH APPROVED BY: KHLIM MATERIAL NO.	DATE: 2015/06/15 DATE: 2015/06/29 DATE: 2015/06/29	TITLE: 2MM PITCH CRIMP RECEPTACLE HOUSING WITH PANEL MOUNT FEATURE DOCUMENT NO. SD-151014-0001
			ANGULAR ± 3 ° DRAFT WHERE APPLICABLE MUST REMAIN WITHIN DIMENSIONS	SEE TABLE			SHEET NO. 2 OF 3		
					SIZE A3 THIS DRAWING CONTAINS INFORMATION THAT IS PROPRIETARY TO MOLEX INCORPORATED AND SHOULD NOT BE USED WITHOUT WRITTEN PERMISSION				

9 8 7 6 5 4 3 2 1



RECOMMENDED PANEL TOLERANCE ±0.10
THICKNESS 1.15±0.10
FOR 6 CIRCUITS



RECOMMENDED PANEL TOLERANCE ±0.10
THICKNESS 1.15±0.10
FOR 8, 10, 12, 14, 16, 18 AND 20 CKTS

RELEASE FOR PRODUCTION EC NO: S2017-0392 DRWNG:ANG 2017/01/04 CHKD:CGOH 2017/01/13 APPR:KHLIM 2017/01/18	DESCRIPTION A	QUALITY SYMBOLS	GENERAL TOLERANCES (UNLESS SPECIFIED)		DIMENSION STYLE MM ONLY		SCALE NTS	DESIGN UNITS METRIC	THIRD ANGLE PROJECTION	
		$F_A=0$ $F_G=0$ $F_P=0$	mm	INCH	DRAWN BY GMENARLY	DATE 2015/06/15	TITLE 2MM PITCH CRIMP RECEPTACLE HOUSING WITH PANEL MOUNT FEATURE			
		4 PLACES ± --- ± --- 3 PLACES ± --- ± --- 2 PLACES ± 0.20 ± --- 1 PLACE ± --- ± --- 0 PLACE ± --- ± ---	ANGULAR ± 3 °		CHECKED BY CGOH	DATE 2015/06/29	molex SD-151014-0001			
		DRAFT WHERE APPLICABLE MUST REMAIN WITHIN DIMENSIONS		APPROVED BY KHLIM		DATE 2015/06/29				
				SEE TABLE				3 OF 3		
				THIS DRAWING CONTAINS INFORMATION THAT IS PROPRIETARY TO MOLEX INCORPORATED AND SHOULD NOT BE USED WITHOUT WRITTEN PERMISSION						