

2-INPUT 1-OUTPUT VIDEO SWITCH

■ GENERAL DESCRIPTION

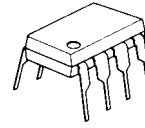
The **NJM2533** is a video switch for VCR, TV, and others.
It contains two bias-type inputs and one buffer-type output.

■ FEATURES

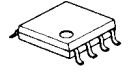
- Operating Voltage (+4.75V to +13V)
- Low Operating Current (MAX : 3.7mA)
- Crosstalk (-70dB)
- 2-Input, 1-Output
- Bipolar Technology
- Package Outline

DIP8, DMP8, SIP8, SSOP8

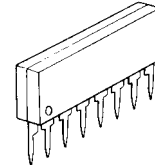
■ PACKAGE OUTLINE



NJM2533D



NJM2533M

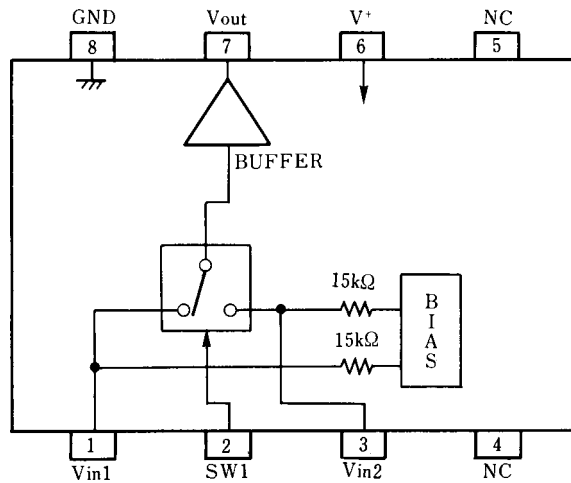


NJM2533L



NJM2533V

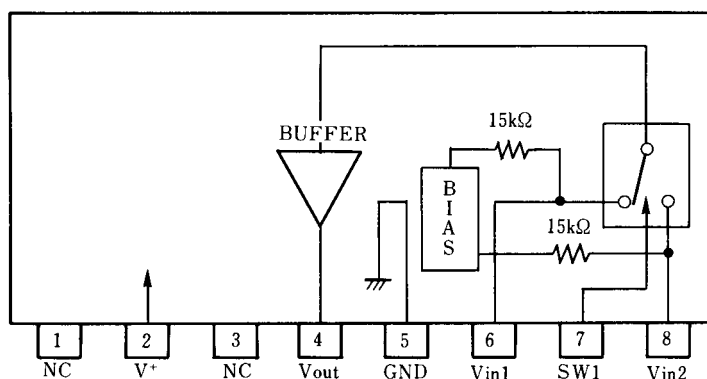
■ PIN CONFIGURATION



PIN FUNCTION

- 1 : Vin1
- 2 : SW1
- 3 : Vin2
- 4 : NC
- 5 : NC
- 6 : V⁺
- 7 : V_{OUT}
- 8 : GND

NJM2533D
NJM2533M
NJM2533V



PIN FUNCTION

- 1 : NC
- 2 : V⁺
- 3 : NC
- 4 : V_{OUT}
- 5 : GND
- 6 : Vin1
- 7 : SW1
- 8 : Vin2

NJM2533L

NJM2533

■ ABSOLUTE MAXIMUM RATINGS

($T_a = 25^\circ\text{C}$)

PARAMETER	SYMBOL	RATINGS	UNIT
Supply Voltage	V^+	+15	V
Power Dissipation	P_D	(DIP-8) 500 (DMP-8) 300 (SIP-8) 800 (SSOP-8) 250	mW
Operating Temperature Range	T_{opr}	-40 to +85	$^\circ\text{C}$
Storage Temperature Range	T_{stg}	-40 to +125	$^\circ\text{C}$

■ ELECTRICAL CHARACTERISTICS

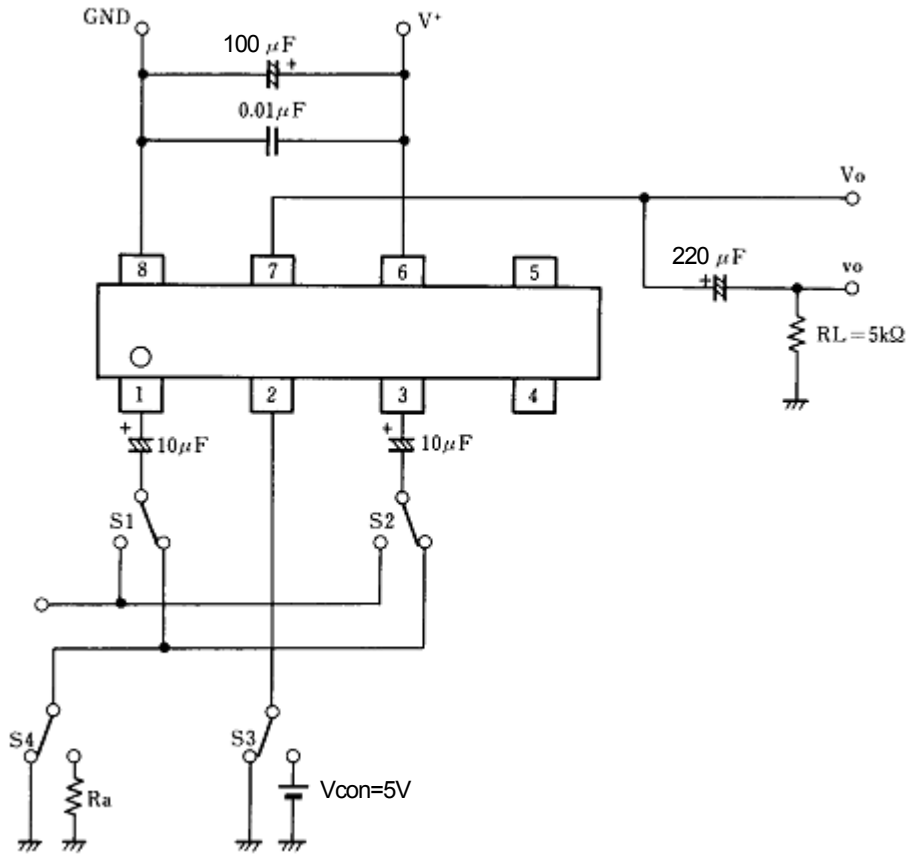
($V^+ = 5\text{V}$, $T_a = 25^\circ\text{C}$)

PARAMETER	SYMBOL	TEST CONDITIONS	MIN.	TYP.	MAX.	UNIT
Operating Voltage	V^+		+4.5	-	+13.0	V
Operating Current	I_{CC}		-	2.7	3.7	mA
Frequency Characteristics	G_f	$V_{IN} = 2V_{PP}$, $V_O = 10\text{MHz}/100\text{kHz}$	-1.0	0	+1.0	dB
Voltage Gain	G_v	$V_{IN} = 2V_{PP}$, 100kHz	-0.5	0	+0.5	dB
Total Harmonic Distortion	THD	$V_{IN} = 2.5V_{PP}$, 1kHz	-	0.05	0.1	%
Differential Gain	DG	$V_{IN} = 2V_{PP}$, Standard staircase signal, APL = 50%	-	0.2	3.0	%
Differential Phase	DP	$V_{IN} = 2V_{PP}$, Standard staircase signal, APL = 50%	-	0.2	3.0	deg
Output Offset Voltage	V_{off}		-15	0	+15	mV
Crosstalk	CT	$V_{IN} = 2V_{PP}$, 4.3MHz	-	-70	-60	dB
Switching Voltage	V_{CH}		2.4	-	-	V
	V_{CL}		-	-	0.8	V
Input Impedance	R_i		-	30	-	k Ω
Output Impedance	R_o		-	25	-	Ω
Input Bias Voltage	V_{IN}		-	2.5	-	V

■ CONTROL SIGNAL-OUTPUT SIGNAL

SW1	OUTPUT SIGNAL
L	V_{IN1}
H	V_{IN2}

■ TEST CIRCUIT



Terminal DC voltage at test circuit ($T_a=25^\circ\text{C}$)

Terminal name	Vin1	Vin2	Vout
DC voltage (V)	$V^+/2$	$V^+/2$	$V^+/2 - 0.7$

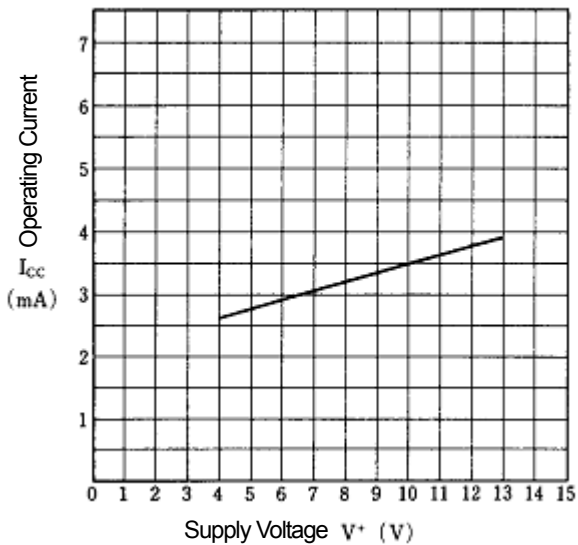
NJM2533

■ TERMINAL DESCRIPTION (Terminal number indicates the DIP , DMP, SSOP)

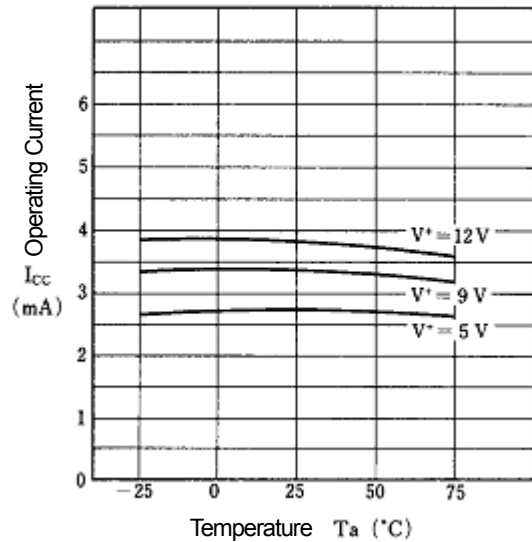
No.	SYMBOL	EQUIVALENT CIRCUIT	No.	SYMBOL	EQUIVALENT CIRCUIT
1	V_{IN1}		5	NC	
2	SW1		6	V^+	
3	V_{IN2}		7	V_{OUT}	
4	NC		8	GND	

■ TYPICAL CHARACTERISTICS

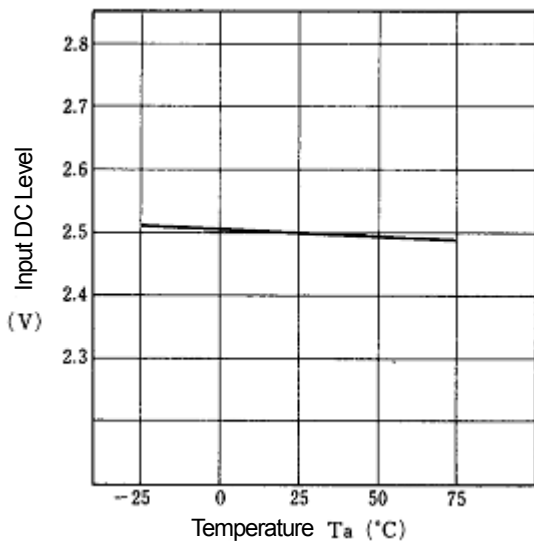
Operating Current vs. Supply Voltage
($T_a = 25^\circ\text{C}$)



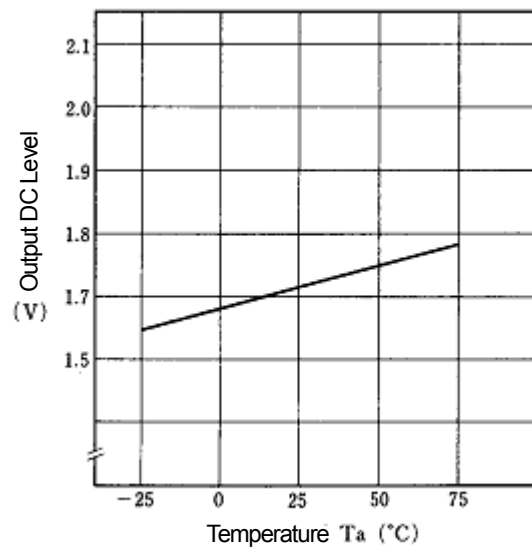
Operating Current vs. Temperature
($T_a = 25^\circ\text{C}$)



Input DC Level vs. Temperature
($V^+ = 5\text{V}$, $T_a = 25^\circ\text{C}$)

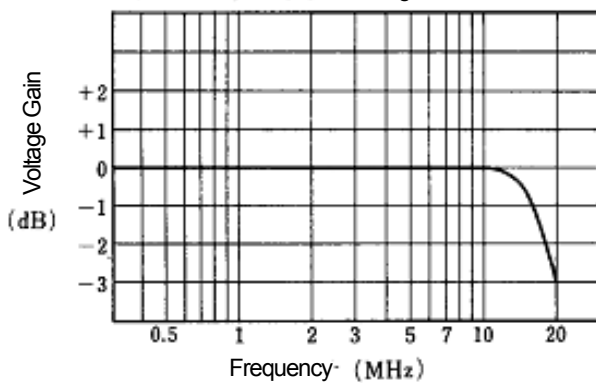


Output DC Level vs. Temperature
($V^+ = 5\text{V}$)



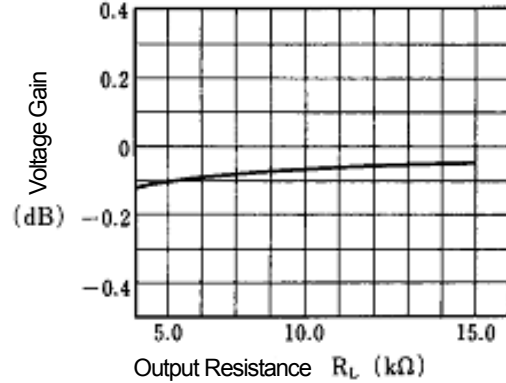
Voltage Gain vs. Frequency

($V^+ = 5\text{V}$, $2V_{p-p}$ Sin signal $R_L = 5\text{k}\Omega$)

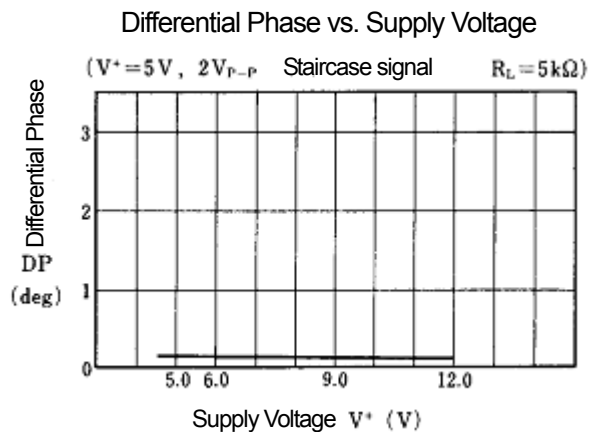
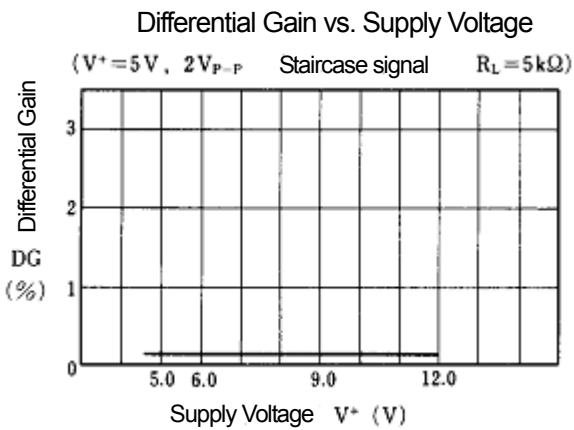
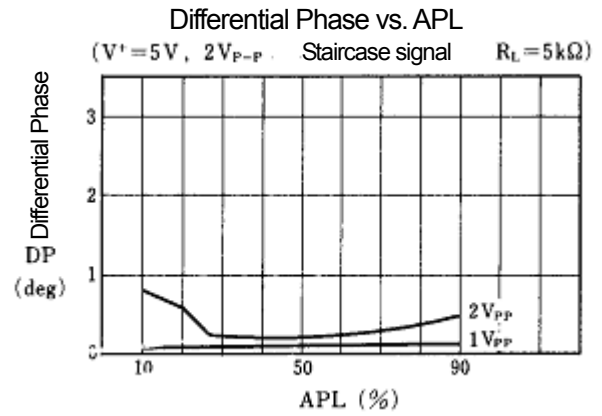
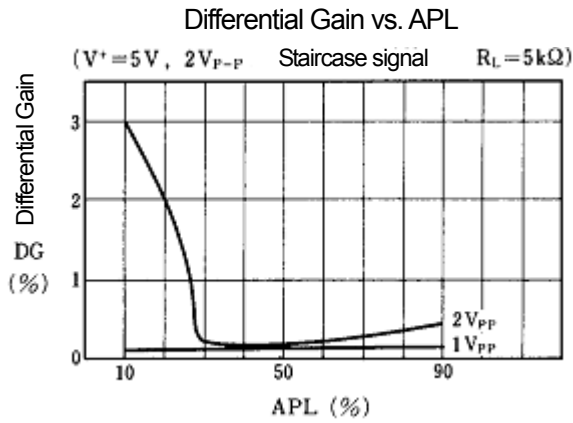
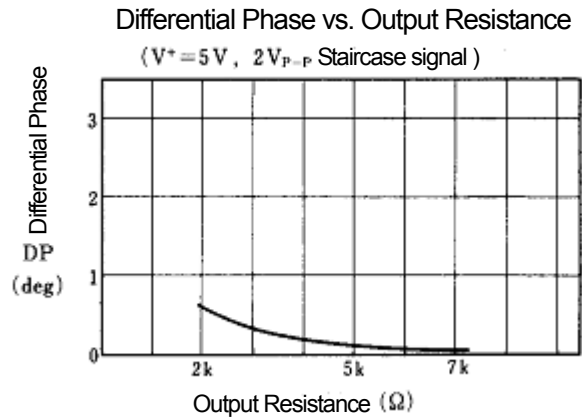
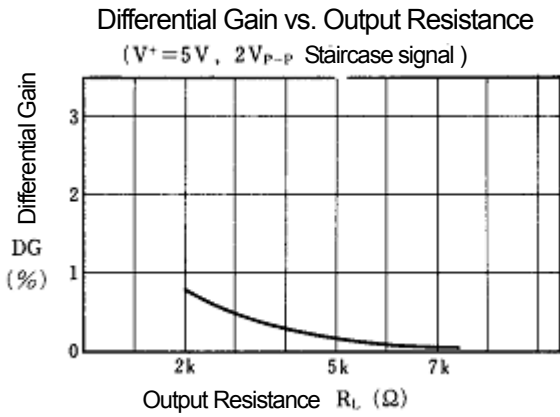


Voltage Gain vs. Output Resistance

($V^+ = 5\text{V}$, $2V_{p-p}$ Sin signal)

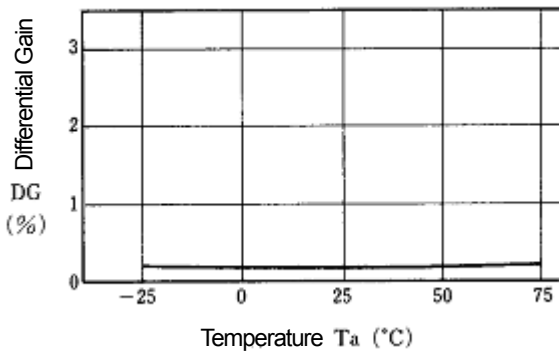


■ TYPICAL CHARACTERISTICS

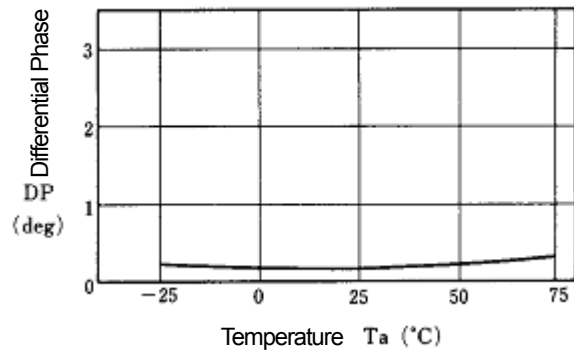


■ TYPICAL CHARACTERISTICS

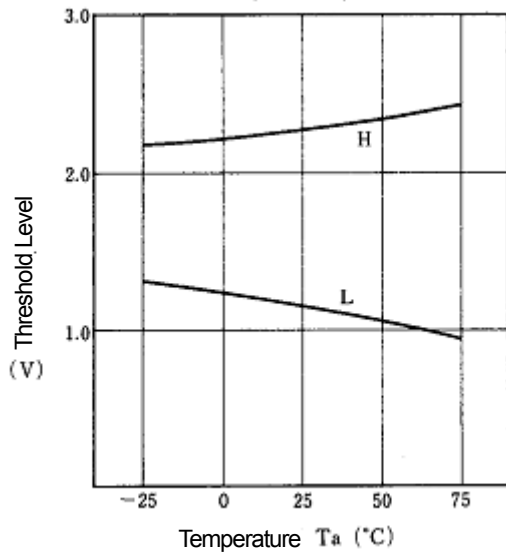
Differential Gain vs. Temperature
($V^+ = 5V$, $2V_{P-P}$ Staircase signal)



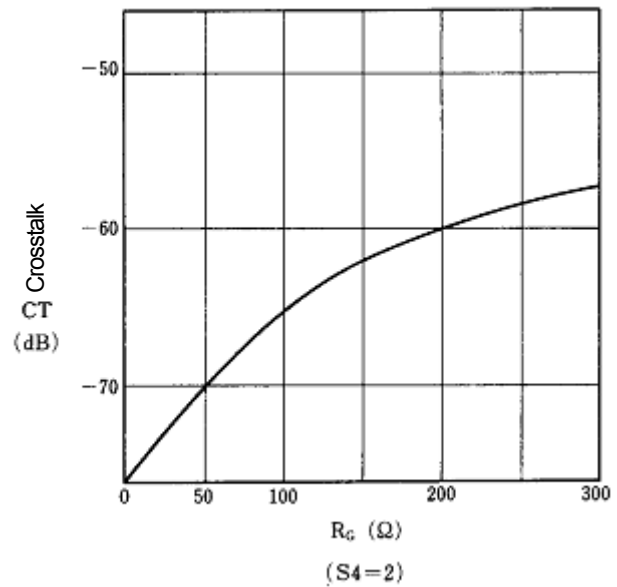
Differential Phase vs. Temperature
($V^+ = 5V$, $2V_{P-P}$ Staircase signal)



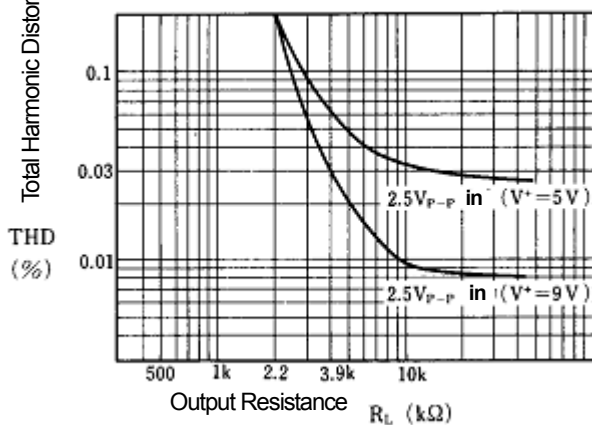
Threshold Level vs. Temperature
($V^+ = 5V$)



Crosstalk vs. R_G
($V^+ = 5V$, $4.43MHz$ $2V_{P-P}$ Sin signal)

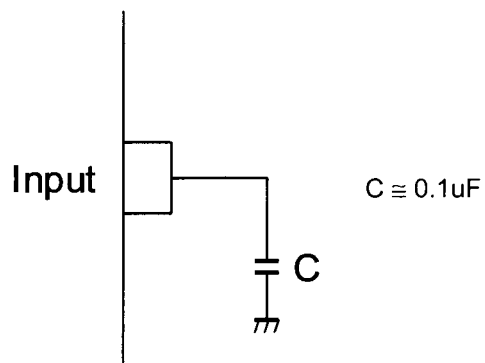


Total Harmonic Distortion vs. Output Resistance
($1kHz$ Sin signal)



■ APPLICATION

This IC requires 0.1 μ F capacitor between INPUT and GND for bias type input at mute mode.



[CAUTION]
The specifications on this databook are only given for information, without any guarantee as regards either mistakes or omissions. The application circuits in this databook are described only to show representative usages of the product and not intended for the guarantee or permission of any right including the industrial rights.