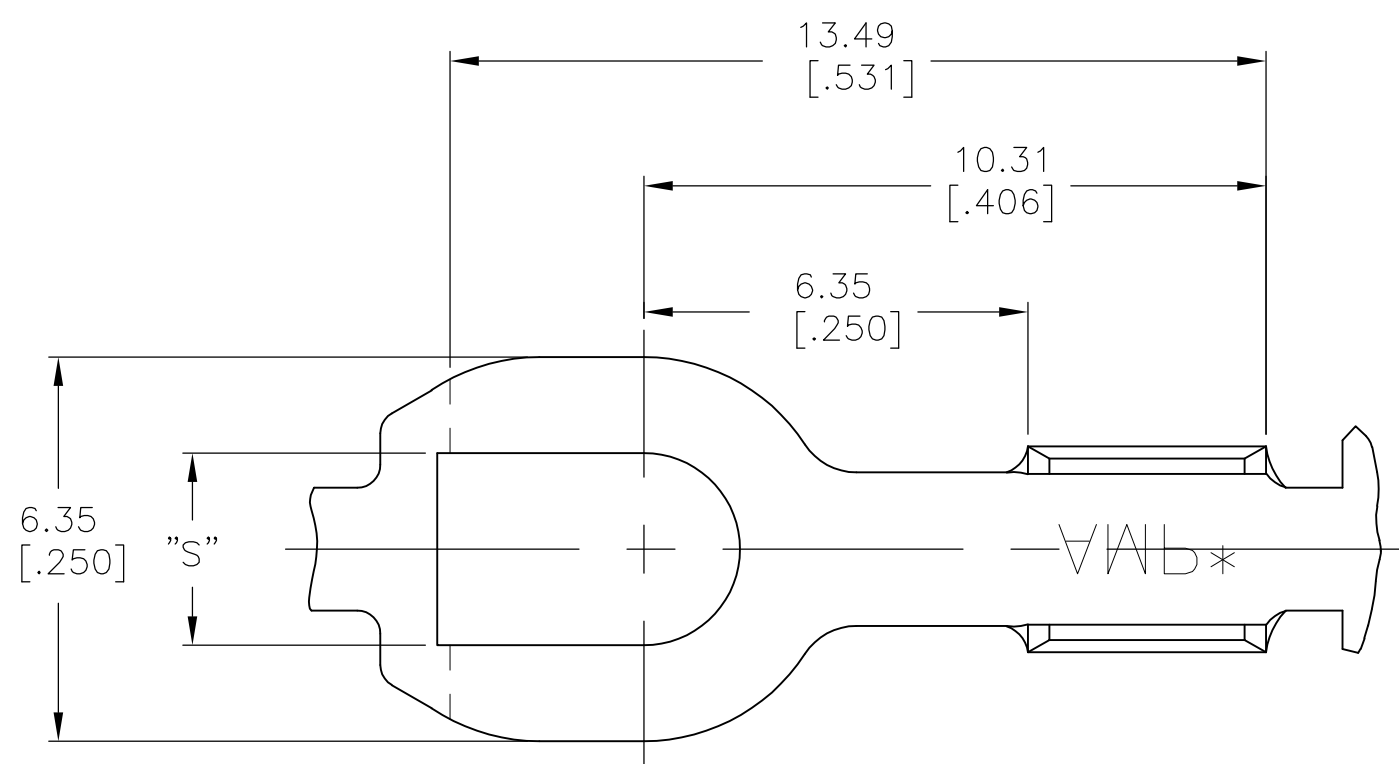
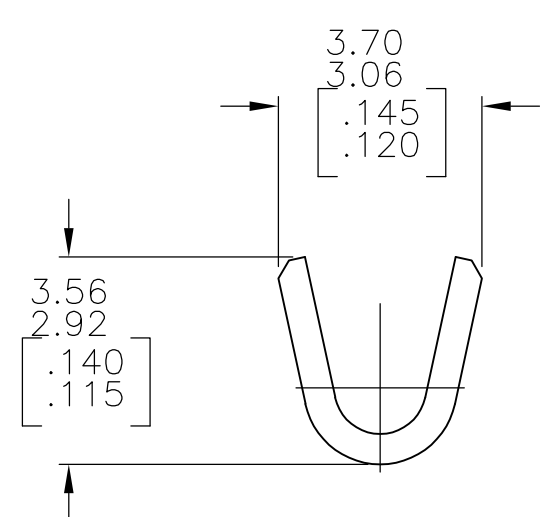


THIS DRAWING IS UNPUBLISHED. RELEASED FOR PUBLICATION  
 © COPYRIGHT - BY TYCO ELECTRONICS CORPORATION. ALL INTERNATIONAL RIGHTS RESERVED.

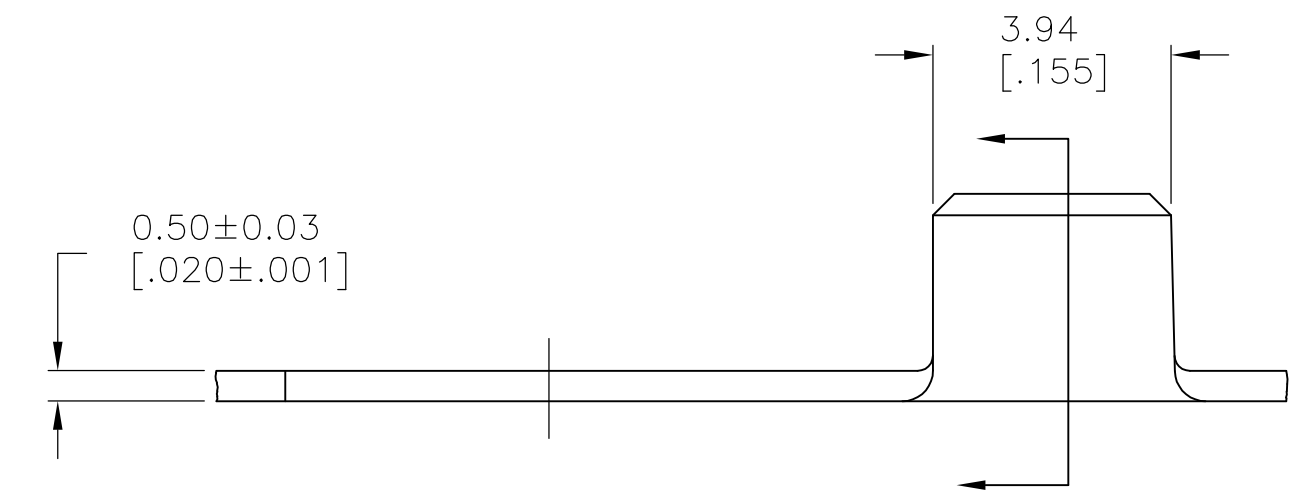
LOC	DIST	REVISIONS			
P	LTR	DESCRIPTION	DATE	DWN	APVD
AF	50	H1	REVISED PER ECR-09-001244	03MAR09	HMR JR



1 CONTINUOUS STRIP ON REELS



SECTION A-A



FOREIGN PRODUCTION ONLY	22-16	3.18 [.125]	40608
	WIRE SIZE A.W.G	"S" ±0.13 [.005]	TERMINAL NUMBER

THIS DRAWING IS A CONTROLLED DOCUMENT.		DWN RAGHAVENDRA 03MAR09	Tyco Electronics Corporation Harrisburg, PA 17105-3608	
DIMENSIONS: mm [INCHES]		CHK JEFF RUTH 03MAR09	NAME	
TOLERANCES UNLESS OTHERWISE SPECIFIED:		APVD DON DECKER 03MAR09	SPADE	
0 PLC ± - 1 PLC ± - 2 PLC ± - 3 PLC ± 0.38 [.015] 4 PLC ± - ANGLES ± 1° 0'		PRODUCT SPEC -	RESTRICTED TO	
MATERIAL BRASS		APPLICATION SPEC -	SIZE A3	CAGE CODE 00779
FINISH TIN		WEIGHT -	DRAWING NO G-40608	REV H1
CUSTOMER DRAWING			SCALE 8:1	SHEET 1 OF 1