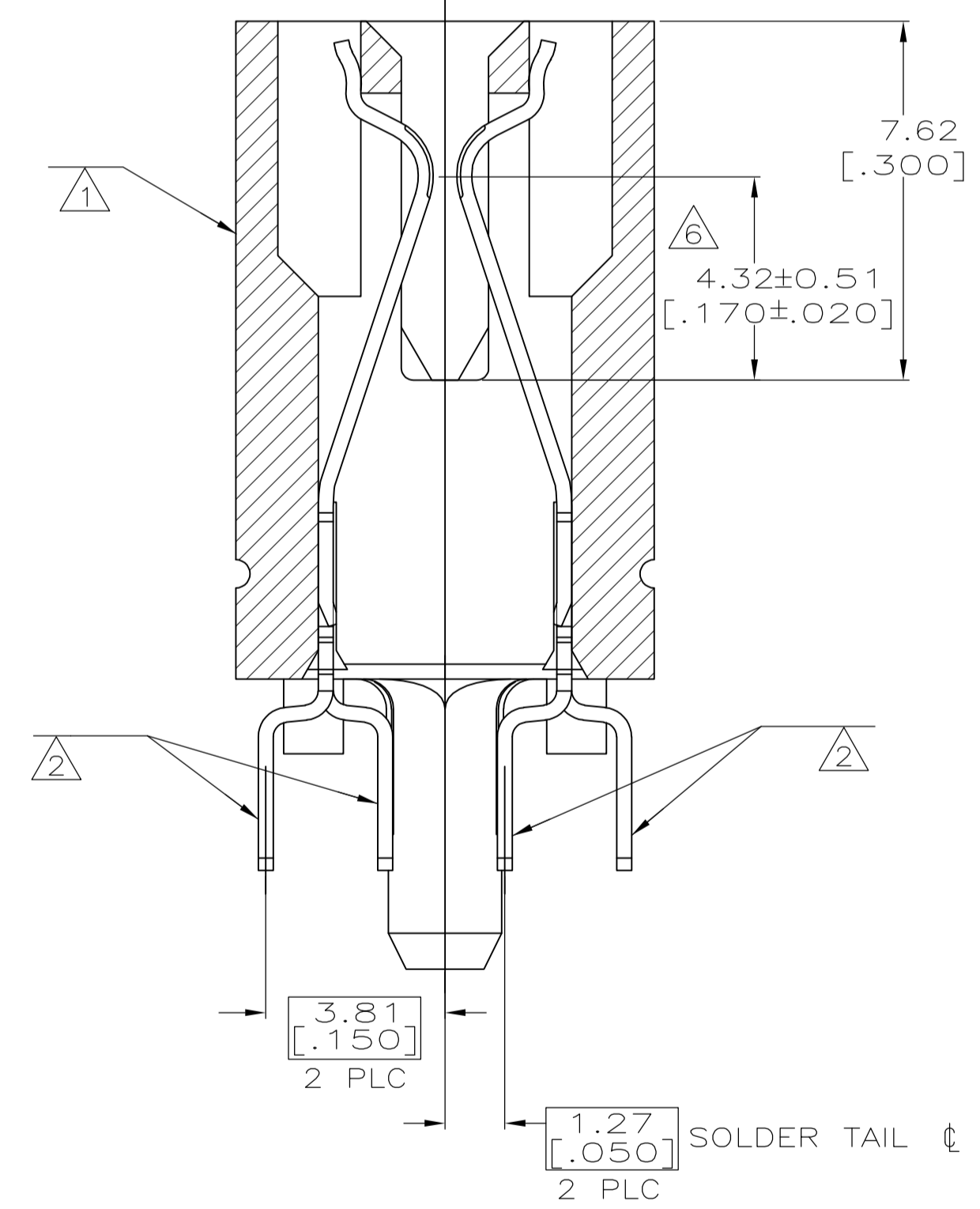


- 1 HOUSING: HIGH TEMPERATURE THERMOPLASTIC. COLOR - NATURAL
- 2 CONTACT: PHOSPHOR BRONZE.
- 3 CONTACT FINISH: .001269[.000050] MIN NICKEL ALL OVER. GOLD FLASH OVER NICKEL IN CONTACT AREA. .002537[.000100] MIN TIN-LEAD OVER NICKEL ON SOLDER TAILS.
- 4 CONTACT FINISH: .001269[.000050] MIN NICKEL ALL OVER. .000375[.000015] MIN GOLD OVER NICKEL IN CONTACT AREA. .002537[.000100] MIN TIN-LEAD OVER NICKEL ON SOLDER TAILS.
- 5 CONTACT FINISH: .001269[.000050] MIN NICKEL ALL OVER. .000757[.000030] MIN GOLD OVER NICKEL IN CONTACT AREA. .002537[.000100] MIN TIN-LEAD OVER NICKEL ON SOLDER TAILS.
- 6 DISTANCE FROM CONTACT POINT TO BOTTOM OF CARD SLOT.
- 7 AMP PART NUMBER, DATE CODE AND CSA LOGO SHOULD BE MARKED ON THE SIDE OF THE HOUSING NEAR THE AMP LOGO.
- 8 CORED OR SOLID SIDE WALLS ARE AT DISCRETION OF AMP INCORPORATED.



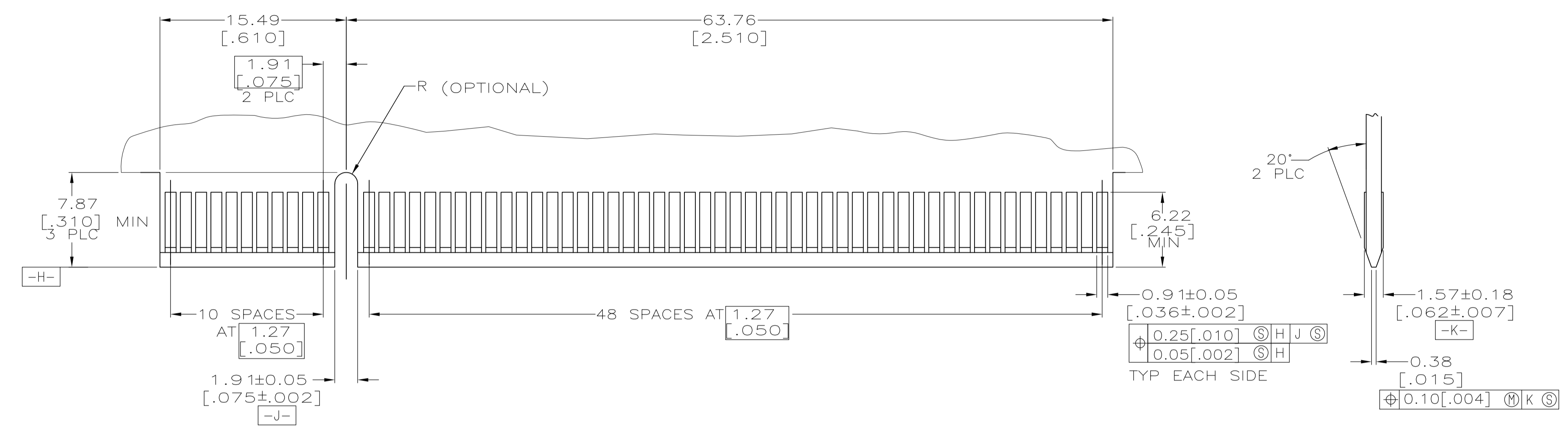
SUPERSEDED BY 145154-4
OBSOLETE

3.56 [.140]	1-145154-2	
3.18 [.125]	145154-8	
2.54 [.100]	145154-4	
2.54 [.100]	145154-3	
2.54 [.100]	145154-2	
2.54 [.100]	145154-1	
W	FINISH	PART NUMBER

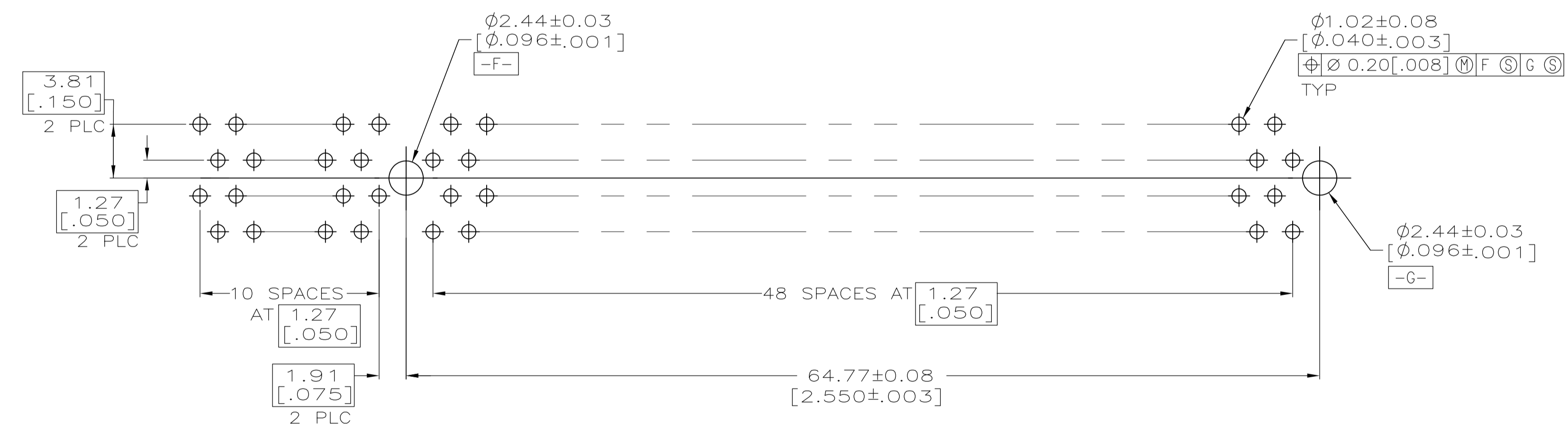
THIS DRAWING IS A CONTROLLED DOCUMENT.		DMN R BROWN 6/9/95	APVD	
DIMENSIONS: mm		CHK M BOWERS 6/9/95	NAME	
TOLERANCES UNLESS OTHERWISE SPECIFIED:		PRODUCT SPEC		
0 PLC ± -	1 PLC ± -	108-14034		
2 PLC ± 0.25 [.01]	3 PLC ± 0.127 [.005]	APPLICATION SPEC		
4 PLC ± -	ANGLES ± -	SIZE 114-26012	SIZE A1	CAGE CODE 00779
MATERIAL	FINISH	WEIGHT	SCALE 4:1	DRAWING NO. 145154
1 2	3 4 5	CUSTOMER DRAWING	SHEET 1 OF 2	REV G1

STE TE Connectivity

CONNECTOR ASSEMBLY, 60 DUAL POSITION, 1.27 [.050] SERIES.



RECOMMENDED MATING BOARD EDGE CONFIGURATION



RECOMMENDED CONNECTOR MOUNTING HOLE PATTERN
(CONNECTOR SIDE SHOWN)

THIS DRAWING IS A CONTROLLED DOCUMENT.		DIN	R BROWN	6/9/95	 TE Connectivity
DIMENSIONS: mm		CHK	M BOWERS	6/9/95	
TOLERANCES UNLESS OTHERWISE SPECIFIED:		APVD			
0 PLC	± -	PRODUCT SPEC		108-14034	NAME CONNECTOR ASSEMBLY, 60 DUAL POSITION, 1.27 [.050] SERIES.
1 PLC	± -	APPLICATION SPEC		114-26012	
2 PLC	± 0.25 [.01]	MATERIAL		SEE SHEET 1	SIZE A1
3 PLC	± 0.127 [.005]	FINISH		SEE SHEET 1	
4 PLC	± - ± 2°	WEIGHT		-	SCALE 4:1
ANGLES	± - ± 2°	CUSTOMER DRAWING		145154	
MATERIAL SEE SHEET 1		FINISH SEE SHEET 1		WEIGHT -	SHEET 2 OF 2 REV G1