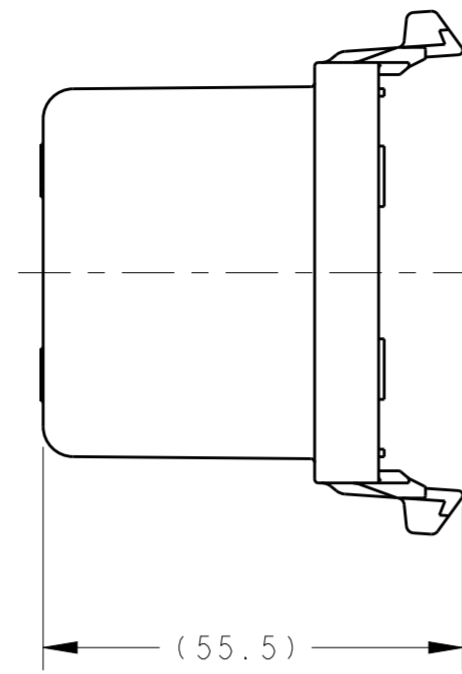
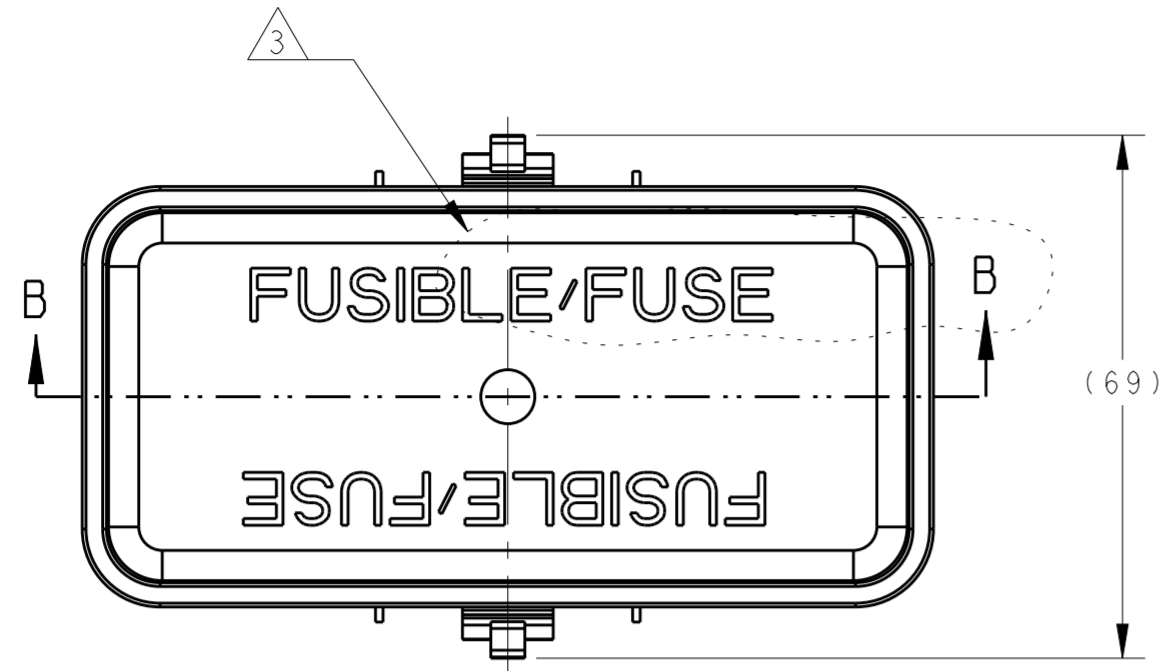
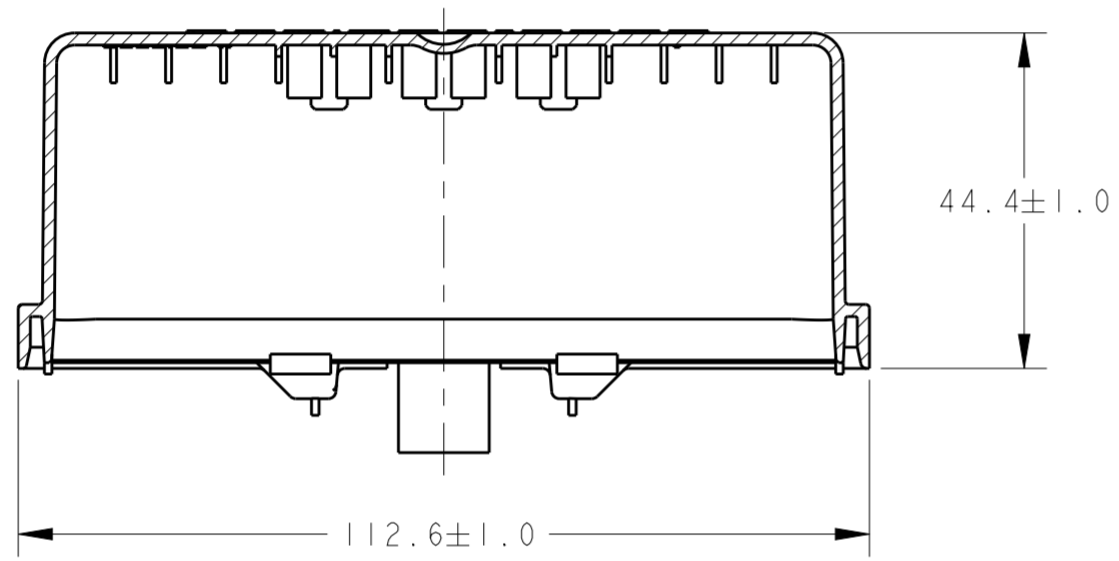


THIS DRAWING IS UNPUBLISHED. RELEASED FOR PUBLICATION 20
 © COPYRIGHT 20 BY - ALL RIGHTS RESERVED.

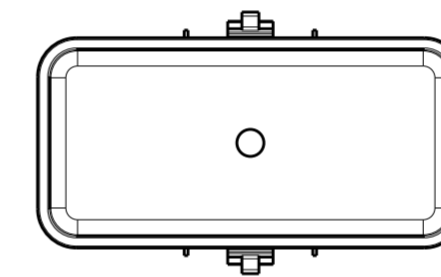
REVISIONS					
P	LTR	DESCRIPTION	DATE	DWN	APVD
	A2	REVISED PER ECO-15-015644	01DEC2015	DD	JS



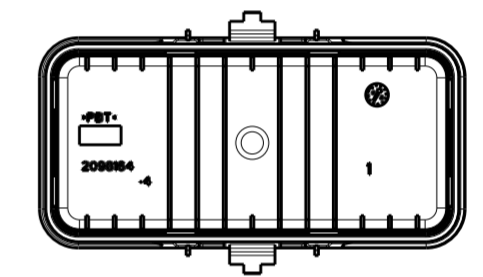
- ① MATERIAL- PBT, BLACK
- ② SPARE MINI FUSE HOLDERS, 2098164-1 AND 2098164-3 ONLY.
- ③ TOPSIDE RAISED TEXT: "FUSIBLE/FUSE", 2098164-1 AND 2098164-2 ONLY.
- ④ PART NUMBERS ARE NOT TOOLED AT THIS TIME.



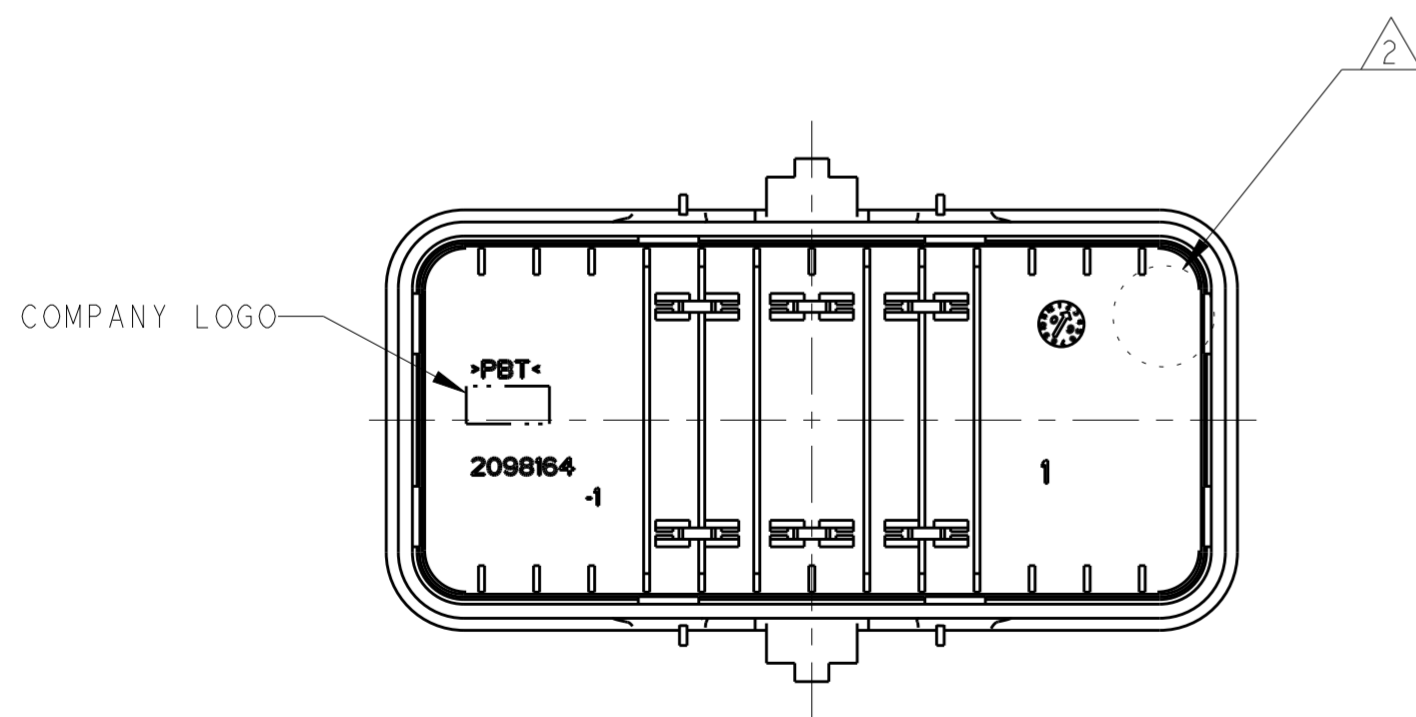
SECTION B-B



2098164-3 AND 2098164-4
NO TOPSIDE GRAPHICS
SCALE 1:2



2098164-2 AND 2098164-4
W/O FUSE HOLDER
SCALE 1:2



2098164-1 SHOWN
SCALE 1:1

COVER, 60 POSN, W/O FUSE HOLDER, NO TOPSIDE GRAPHICS.	2098164-4
COVER, 60 POSN, NO TOPSIDE GRAPHICS	2098164-3 ② ④
COVER, 60 POSN, W/O FUSE HOLDER	2098164-2 ③ ④
COVER, 60 POSITION	2098164-1 ② ③ ④
DESCRIPTION	PART NUMBER

THIS DRAWING IS A CONTROLLED DOCUMENT.		DWN S. CROSS 02DEC2009	TE Connectivity	
DIMENSIONS: mm		CHK J. SHEVELA 02DEC2009		
TOLERANCES UNLESS OTHERWISE SPECIFIED:		APVD J. SHEVELA 02DEC2009	COVER, 60 POSITION	
0 PLC ±1 1 PLC ±0.25 2 PLC ±0.15 3 PLC ±0.005 4 PLC ± ANGLES ±1 FINISH -		PRODUCT SPEC -	SIZE A2	CAGE CODE 00779
MATERIAL ①		APPLICATION SPEC -	DRAWING NO C-2098164	RESTRICTED TO -
		WEIGHT -	SCALE 1:1	SHEET OF 1 1
		CUSTOMER DRAWING	REV A2	