

Type 4 Mild Steel Freestanding Enclosure *HN4 FS Series* Continuous Hinge Door with Handle



Application

- Designed to house electrical, electronic, hydraulic or pneumatic controls with provision for panel mounting or rack mounting of equipment.
- Provides protection where equipment may be hosed down or otherwise be very wet, or in specific applications where corrosion is a serious problem.
- A variety of inner panels, rack mounting rails and swing out frames are available to provide flexibility in mounting arrangements.

Construction

- Formed 12 gauge steel.
- Smooth, continuously welded seams without knockouts, cutouts or holes.
- Lifting eyes provide for easy enclosure handling.
- Doors are supported with heavy gauge continuous hinges.
- New 3-pt padlocking door handle.
- Seamless poured-in place gasket.
- Provision for light kit mounting.
- A grounding stud is provided in the enclosure and a bonding stud is provided on the door.
- Mounting channels are welded on the inside of the enclosure for mounting of optional inner panels or rack equipment rails.

Standards

- UL 508 Type 3R, 4 and 12
- CSA Type 3R, 4 and 12
- Complies with:
 - NEMA Type 3R, 4, 12 and 3
 - IEC 60529, IP66

Finish

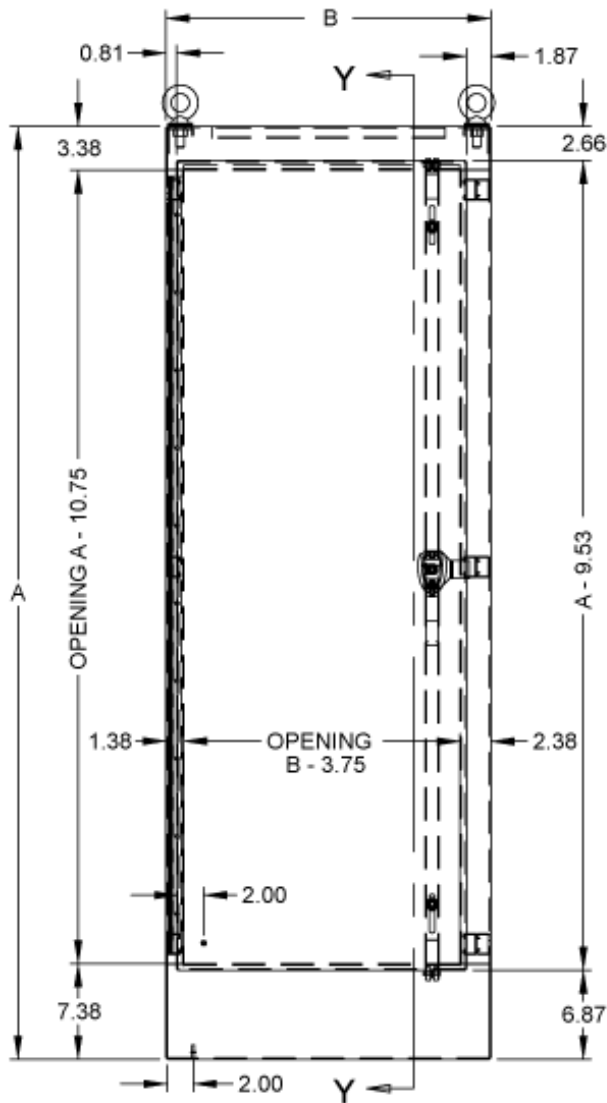
- Cover and enclosure are finished in recoatable smooth ANSI 61 gray powder coating.
- Optional inner panels are available in white powder coating, or unpainted galvanized steel.

Accessories

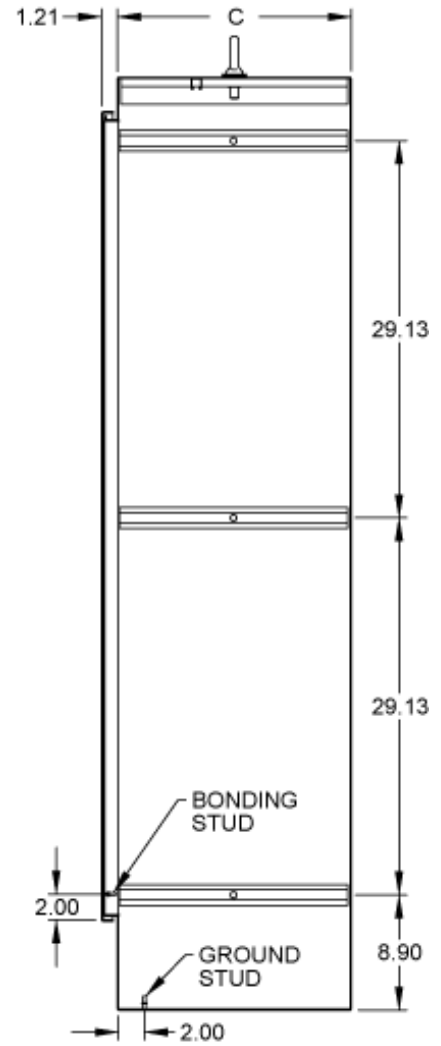
- Cooling Products
- Ventilation
- Drip Shield Kit
- Floor Stand Kit
- Heaters
- Lighting
- Panel Rails
- Blowers and Fans
- Door Stop Kit
- Filtered Fans
- Gland Plates
- Inner Panels
- Type 1 Louvered Ventilating Plates
- Swing Out Frames

- Temperature Controls
- Top Hat Cable Modules

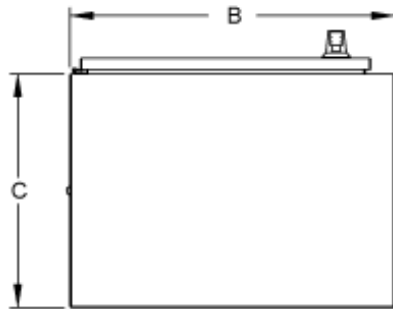
- Window Kits
- Ground Wire Kits



Front View



Section Y-Y



Bottom View



Strut Detail - Right Side

Part No.	A	B	C	Optional Inner Panel
HN4FS722518	72.06	25.06	18.06	72WFW
HN4FS723124	72.06	31.06	24.06	72XFW
HN4FS723724	72.06	37.06	24.06	72YFW

¹ Refers to optional full height/full width panels. **Depth panels/half height width panels are also available**

Data subject to change without notice

© 2017. Hammond Manufacturing Ltd. All rights reserved.