

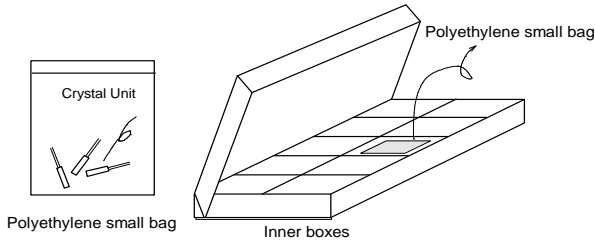


# PACKING SPECIFICATIONS

For SMD products, recommendation packing quantity is specified as below table. Please order in accordance with packing quantity.

## 1. Cylinder

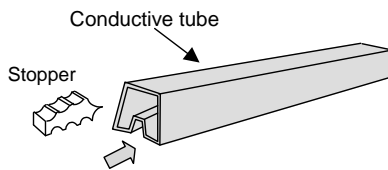
Cylinder products are packed in vinyl bags per lot of 250 to 1000pcs.  
 From 1 to 20 bags are then placed in inner boxes to make a lot.  
 Inner boxes are then placed in cartons for shipment. (the quantity varies with the model.)



Model	Quantity
C-2 TYPE C-4 TYPE C-002RX C-004R C-005R CA-301 HTS-206	500 pcs / vinyl bags

## 2. DIP

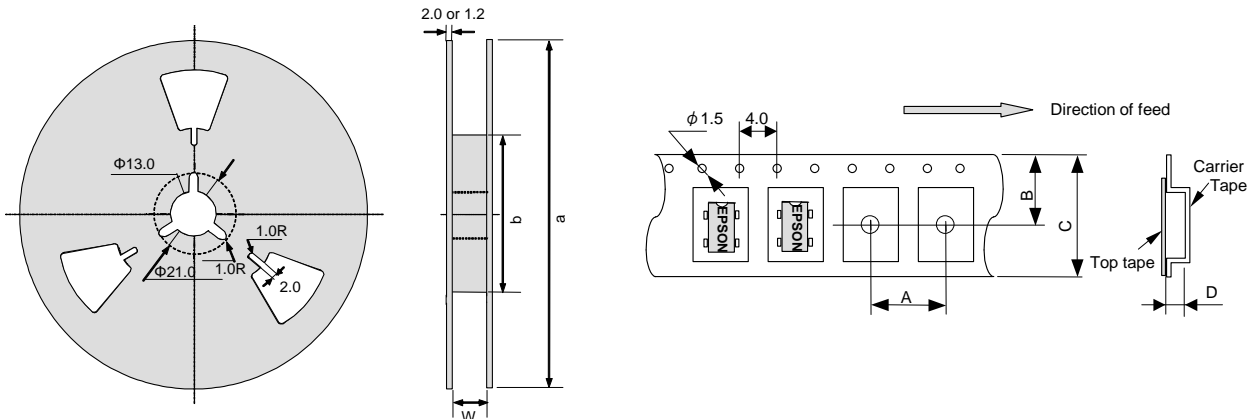
DIP products are placed into antistatic IC tubes and packed into boxes for shipment.



Model	Quantity
SG-531 SG-8002DC	35 pcs / tube
SG-51 SG-8002DB RTC-72421 RTC-7301DG	25 pcs / tube

## 3. SMD

SMD products are packed in the shipping carton as below table in accordance with taping standards EIA-481 and IEC-60286.



### RECOMMENDATION PACKING QUANTITY and DIMENSION (Unit:mm)

#### ●Crystal Unit

Model	Quantity (pcs/Reel)	Reel dimension			Career Tape dimension				Direction of feed (L=left direction)
		a	b	W	A	B	C	D	
kHz Range Crystal unit									
FC-12D	6000	Φ180	Φ60	9	4	5.25	8	0.45	L
FC-12M	5000	Φ180	Φ60	9	4	5.25	8	0.75	L
FC-135 / FC-135R	3000	Φ180	Φ60	13	4	7.25	12	1	L
FC-13A	3000	Φ180	Φ60	13	4	7.25	12	1	L
FC1610AN	5000	Φ180	Φ60	9	4	5.25	8	0.65	L
MC-146	9000	Φ330	Φ80 or Φ100	17	4	9.25	16	1.6	L
MC-156	3000	Φ330	Φ80 or Φ100	17.5	8	9.25	16	1.65	L
MC-306	3000	Φ330	Φ80 or Φ100	17.5	8	9.25	16	2.7	L
MC-30A	3000	Φ330	Φ80 or Φ100	17.5	8	9.25	16	2.7	L
MC-405	1000	Φ330	Φ80 or Φ100	17.5	8	9.25	16	3.8	L
MC-406	1000	Φ330	Φ80 or Φ100	17.5	8	9.25	16	3.8	L
MHz Range Crystal unit									
FA-118T	6000	Φ180	Φ60	9	4	5.25	8	0.5	L
FA-128	5000	Φ180	Φ60	9	4	5.25	8	0.7	L
FA-128S	5000	Φ180	Φ60	9	4	5.25	8	1.0	L
FA2016AA	5000	Φ180	Φ60	9	4	5.25	8	0.7	L
FA2016AN	5000	Φ180	Φ60	9	4	5.25	8	0.7	L
FA2016AS	5000	Φ180	Φ60	9	4	5.25	8	0.7	L
FA-20H	5000	Φ180	Φ60	9	4	5.25	8	0.75	L
FA-20HS	3000	Φ180	Φ60	9	4	5.25	8	1.15	L
FA-238	4000	Φ180	Φ60	9	4	5.25	8	1.05	L
FA-238A	4000	Φ180	Φ60	9	4	5.25	8	1.05	L
FA-238V	4000	Φ180	Φ60	9	4	5.25	8	1.05	L
MA-306	3000	Φ330	Φ80 or Φ100	17.5	8	9.25	16	2.7	L
MA-406	1000	Φ330	Φ80 or Φ100	25.5	12	13.25	24	4	L
MA-505	1000	Φ330	Φ80 or Φ100	25.5	12	13.25	24	4.8	L
MA-506	1000	Φ330	Φ80 or Φ100	25.5	12	13.25	24	4.8	L
TSX-3225	4000	Φ180	Φ60	9	4	5.25	8	1	L

**● SAW Resonator**

Model	Quantity (pcs/Reel)	Reel dimension			Career Tape dimension				Direction of feed (L=left direction)
		a	b	W	A	B	C	D	
FS-335	4000	Φ330	Φ80 or Φ100	13.5	8	7.25	12	1.52	R
FS-555	4000	Φ330	Φ80 or Φ100	13.5	8	7.25	12	2	R
NS-21R	3000	Φ180	Φ60	9	4	5.25	8	1.15	L
NS-32R	4000	Φ330	Φ80 or Φ100	13.5	8	7.25	12	1.52	R

**● SPXO**

SG2016CAN / SG2016CAA	3000	Φ180	Φ60	9	4	5.25	8	1	L
SG-210 series	3000	Φ180	Φ60	9	4	5.25	8	1.15	L
SG-211 series	3000	Φ180	Φ60	9	4	5.25	8	1.15	L
SG-3030CM	3000	Φ180	Φ60	13	4	7.25	12	1	L
SG-3030JC	1000	Φ330	Φ80 or Φ100	17.5	8	9.25	16	3.3	L
SG-3030JF	1000	Φ254	Φ100	17.5	8	9.25	16	2.3	L
SG-3030LC	2000	Φ180	Φ60	13	4	7.25	12	1.45	L
SG-3040JC	1000	Φ330	Φ80 or Φ100	17.5	8	9.25	16	3.3	L
SG-3040LC	2000	Φ180	Φ60	13	4	7.25	12	1.45	L
SG-310 series	2000	Φ180	Φ60	9	4	5.25	8	1.4	L
SG3225 series	2000	Φ180	Φ60	9	4	5.25	8	1.4	L
SG5032 series	1000	Φ180	Φ60	13	8	7.25	12	1.4	L
SG7050EEN/ VEN	1000	Φ180	Φ60	17	8	9.25	16	2.1	L
SG7050 series	1000	Φ254	Φ100	17.5	8	9.25	16	2.1	L
SG-615 series	1000	Φ330	Φ80 or Φ100	25.5	12	13.25	24	4.8	L
SG-636 series	1000	Φ330	Φ80 or Φ100	17.5	8	9.25	16	3	L
SG-645 series	1000	Φ254	Φ100	17.5	8	9.25	16	2.3	L
SG-770 SCD	1000	Φ180	Φ60	17	8	9.25	16	2.1	L
SG-850xCA	1000	Φ180	Φ60	17	8	9.25	16	2.1	L
TCO-708x series	1000	Φ254	Φ100	17.5	8	9.25	16	2.1	L
TCO-710x series	1000	Φ180	Φ60	13	8	7.25	12	1.7	L
HG-2150CA	1000	Φ254	Φ100	17.5	8	9.25	16	2.3	L

**● SPSO (Low-jitter SAW)**

EA-2102CB	1000	Φ180	Φ60	13	8	7.25	12	1.7	L
EG-21xxCB	1000	Φ180	Φ60	13	8	7.25	12	1.7	L
EG-2xxxCA	1000	Φ180	Φ60	17	8	9.25	16	2.1	L
EG-4101CA	1000	Φ180	Φ60	17	8	9.25	16	2.1	L
EG-4121CA	1000	Φ180	Φ60	17	8	9.25	16	2.1	L
XG-1000CA	1000	Φ180	Φ60	17	8	9.25	16	2.1	L
XG-1000CB	1000	Φ180	Φ60	13	8	7.25	12	1.7	L
XG-21xxCA	1000	Φ180	Φ60	17	8	9.25	16	2.1	L
XG5032HAN	1000	Φ180	Φ60	13	8	7.25	12	1.7	L

**● Programmable & Spread Spectrum**

SG-8002CA/ SG-8003CA/ SG-8101CA/ SG-8018CA	1000	Φ254	Φ100	17.5	8	9.25	16	2.3	L
SG-8002CE/ SG-8003CE/ SG-8101CE/ SG-8018CE	2000	Φ180	Φ60	9	4	5.25	8	1.4	L
SG-8101CB/ SG-8018CB	1000	Φ180	Φ60	13	8	7.25	12	1.4	L
SG-8002JA	1000	Φ330	Φ80 or Φ100	25.5	12	13.25	24	4.8	L
SG-8002JC	1000	Φ330	Φ80 or Φ100	17.5	8	9.25	16	3.3	L
SG-8003JF	1000	Φ254	Φ100	17.5	8	9.25	16	2.3	L
SG-8002LB/ SG-8003LB	2000	Φ254	Φ100	13.4	8	7.5	12	1.4	L
SG-8003CG/ SG-8101CG SG-8018CG	3000	Φ180	Φ60	9	4	5.25	8	1.15	L
SG-9001CA/ SG-9101CA	1000	Φ254	Φ100	17.5	8	9.25	16	2.3	L
SG-9001JC	1000	Φ330	Φ80 or Φ100	17.5	8	9.25	16	3.3	L
SG-9001LB	2000	Φ254	Φ100	13.4	8	7.5	12	1.4	L
SG-9101CB	1000	Φ180	Φ60	13	8	7.25	12	1.4	L
SG-9101CE	2000	Φ180	Φ60	9	4	5.25	8	1.4	L
SG-9101CG	3000	Φ180	Φ60	9	4	5.25	8	1.15	L

**● VCXO/VCSO**

EV7050EAN	1000	Φ180	Φ60	17	8	9.25	16	2.1	L
EV1409EAN/ SAN	1000	Φ330	Φ80	25.5	12	13.25	24	3	L
EV1409ESN	1000	Φ330	Φ80	25.5	12	13.25	24	3	L
EV-9100JG	1000	Φ330	Φ80	25.5	12	13.25	24	5.3	L
VG2520CAN	3000	Φ180	Φ60	9	4	5.25	8	1.15	L
VG7050CAN	1000	Φ254	Φ100	17.5	8	9.25	16	2.3	L
VG-4231CA	1000	Φ254	Φ100	17.5	8	9.25	16	2.3	L
VG-4231CB	1000	Φ180	Φ60	13	8	7.25	12	1.4	L
VG-4231CE	2000	Φ180	Φ60	9	4	5.25	8	1.4	L
VG-4232CA	1000	Φ254	Φ100	17.5	8	9.25	16	2.3	L
VG-45xxCA	1000	Φ180	Φ60	17	8	9.25	16	2.1	L
VG-4513CB	1000	Φ180	Φ60	13	8	7.25	12	1.4	L
VG5032EDN/ VDN	1000	Φ180	Φ60	13	8	7.25	12	1.4	L
VG7050EAN/ EBN/ ECN	1000	Φ180	Φ60	17	8	9.25	16	2.1	L



## ●TCXO

TG1612SAN	18000	Φ330	Φ100	9.4	4	5.25	8	0.7	L
TG2016SAN	12000	Φ330	Φ100	9.4	4	5.25	8	1	L
TG2016SBN	12000	Φ330	Φ100	9.4	4	5.25	8	1	L
TG2520SBN	10000	Φ330	Φ100	9.4	4	5.25	8	1.15	L
TG2520CEN	10000	Φ330	Φ100	9.4	4	5.25	8	1.15	L
TG3225CEN	2000	Φ180	Φ60	9	4	5.25	8	1.4	L
TG-50xxCE	2000	Φ180	Φ60	9	4	5.25	8	1.4	L
TG-50xxCG	10000	Φ330	Φ100	9.4	4	5.25	8	1.15	L
TG-5035CG (AEC-Q200)	2000	Φ180	Φ60	9.4	4	5.25	8	1.15	L
TG-50xxCJ	12000	Φ330	Φ100	9.4	4	5.25	8	1	L
TG5032CGN/SGN/CFN/SFN	1000	Φ180	Φ60	13	8	7.25	12	1.4	L
TG5032CAN/CBN/CCN/CDN	1000	Φ180	Φ60	13	8	7.25	12	1.4	L
TG5032SAN/SBN/SCN/SDN	1000	Φ180	Φ60	13	8	7.25	12	1.4	L
TG-5500CA	1000	Φ254	Φ100	17.5	8	9.25	16	2.3	L
TG-5501CA	1000	Φ254	Φ100	17.5	8	9.25	16	2.3	L

## ●Multi output oscillator

Model	Quantity (pcs/reel)	Reel dimension			Career Tape dimension				Direction of feed (L=left direction)
		a	b	W	A	B	C	D	
MG7050 series	1000	Φ180	Φ60	17	8	9.25	16	2.1	L

## ●Module

Model	Quantity (pcs/reel)	Reel dimension			Career Tape dimension				Direction of feed (L=left direction)
		a	b	W	A	B	C	D	
SR3225SAA	3000	Φ180	Φ60	9	4	5.25	8	1.4	L

**● Real time clock module**

RA-4565SA	1000	Φ330	Φ80 or Φ100	17.5	12	9.25	16	3.65	L
RA-4574SA	1000	Φ330	Φ80 or Φ100	17.5	12	9.25	16	3.65	L
RA4803SA	1000	Φ330	Φ80 or Φ100	17.5	12	9.25	16	3.65	L
RA-8565SA	1000	Φ330	Φ80 or Φ100	17.5	12	9.25	16	3.65	L
RA-8581SA	1000	Φ330	Φ80 or Φ100	17.5	12	9.25	16	3.65	L
RA8803SA	1000	Φ330	Φ80 or Φ100	17.5	12	9.25	16	3.65	L
RA8900CE	2000	Φ180	Φ60	9	4	5.25	8	1.4	L
RTC-4543SA	1000	Φ330	Φ80 or Φ100	17.5	12	9.25	16	3.65	L
RTC-4543SB	1000	Φ330	Φ80 or Φ100	25.5	12	11.5	24	2.5	L
RTC-4574JE	1000	Φ330	Φ80 or Φ100	17.5	12	9.25	16	2	L
RTC-4574NB	1000	Φ330	Φ80 or Φ100	17.5	12	9.25	16	1.8	L
RTC-4574SA	1000	Φ330	Φ80 or Φ100	17.5	12	9.25	16	3.65	L
RTC-72423	1000	Φ330	Φ80 or Φ100	25.5	16	13.25	24	2.95	L
RTC-7301SF	1000	Φ330	Φ80 or Φ100	17.5	12	9.25	16	2.4	L
RTC-8564JE	1000	Φ330	Φ80 or Φ100	17.5	12	9.25	16	2	L
RTC-8564NB	1000	Φ330	Φ80 or Φ100	17.5	12	9.25	16	1.8	L
RX-4035LC	2000	Φ180	Φ60	13	4	7.25	12	1.45	L
RX-4035SA	1000	Φ330	Φ80 or Φ100	17.5	12	9.25	16	3.65	L
RX-4045NB	1000	Φ330	Φ80 or Φ100	17.5	12	9.25	16	1.8	L
RX-4045SA	1000	Φ330	Φ80 or Φ100	17.5	12	9.25	16	3.65	L
RX-4571LC	2000	Φ180	Φ60	13	4	7.25	12	1.45	L
RX-4571NB	1000	Φ330	Φ80 or Φ100	17.5	12	9.25	16	1.8	L
RX-4571SA	1000	Φ330	Φ80 or Φ100	17.5	12	9.25	16	3.65	L
RX-4574LC	2000	Φ180	Φ60	13	4	7.25	12	1.45	L
RX-4581NB	1000	Φ330	Φ80 or Φ100	17.5	12	9.25	16	1.8	L
RX-4803LC	2000	Φ180	Φ60	13	4	7.25	12	1.45	L
RX-4803SA	1000	Φ330	Φ80 or Φ100	17.5	12	9.25	16	3.65	L
RX6110SA	1000	Φ330	Φ80 or Φ100	17.5	12	9.25	16	3.65	L
RX8010SJ	1000	Φ330	Φ80	17.5	12	9.25	16	2.95	L
RX-8025NB	1000	Φ330	Φ80 or Φ100	17.5	12	9.25	16	1.8	L
RX-8025SA	1000	Φ330	Φ80 or Φ100	17.5	12	9.25	16	3.65	L
RX-8035LC	2000	Φ180	Φ60	13	4	7.25	12	1.45	L
RX-8035SA	1000	Φ330	Φ80 or Φ100	17.5	12	9.25	16	3.65	L
RX8130CE	2000	Φ180	Φ60	9	4	5.25	8	1.4	L
RX-8564LC	2000	Φ180	Φ60	13	4	7.25	12	1.45	L
RX-8571LC	2000	Φ180	Φ60	13	4	7.25	12	1.45	L
RX-8571NB	1000	Φ330	Φ80 or Φ100	17.5	12	9.25	16	1.8	L
RX-8571SA	1000	Φ330	Φ80 or Φ100	17.5	12	9.25	16	3.65	L
RX-8581JE	1000	Φ330	Φ80 or Φ100	17.5	12	9.25	16	2	L
RX-8581NB	1000	Φ330	Φ80 or Φ100	17.5	12	9.25	16	1.8	L
RX-8581SA	1000	Φ330	Φ80 or Φ100	17.5	12	9.25	16	3.65	L
RX-8731LC	2000	Φ180	Φ60	13	4	7.25	12	1.45	L
RX-8803LC	2000	Φ180	Φ60	13	4	7.25	12	1.45	L
RX-8803SA	1000	Φ330	Φ80 or Φ100	17.5	12	9.25	16	3.65	L
RX8900CE	2000	Φ180	Φ60	9	4	5.25	8	1.4	L
RX8900SA	1000	Φ330	Φ80 or Φ100	17.5	12	9.25	16	3.65	L

**● SAW Filter**

FF-555	4000	Φ330	Φ80 or Φ100	13.5	8.0	7.25	12.0	2.0	R
FF-32N	4000	Φ330	Φ80 or Φ100	13.5	8.0	7.25	12.0	1.52	R

**● Sensor**

XV-3510CB	2000	Φ254	Φ100	13.4	8	7.25	12	2.1	L
XV-3500CB	2000	Φ254	Φ100	13.4	8	7.25	12	2.1	L
XV-3700CB	2000	Φ254	Φ100	13.4	8	7.25	12	2.1	L
XV-3900CB	2000	Φ254	Φ100	13.4	8	7.25	12	2.1	L
XV4001Bx	2000	Φ254	Φ100	13.4	8	7.25	12	2.1	L
XV4001Kx	1000	Φ254	Φ100	13.4	8	7.25	12	3.7	L
XV7001BB/XV7001BB	2000	Φ254	Φ100	13.4	8	7.25	12	2.1	L
XV-8000CB	2000	Φ254	Φ100	13.4	8	7.25	12	2.1	L
XV-8000LK	1000	Φ254	Φ100	13.4	8	7.25	12	3.7	L
XV-9100CD	2000	Φ254	Φ100	13.4	8	7.25	12	1.8	L
XV-9100LP	500	Φ330	Φ80 or Φ100	25.4	12	13.25	24	8.5	R
XV-9100LV	1000	Φ330	Φ80 or Φ100	17.4	12	9.25	16	4.5	L
XV-9300CD	2000	Φ254	Φ100	13.4	8	7.25	12	1.8	L
XV-9300LP	500	Φ330	Φ80 or Φ100	25.4	12	13.25	24	8.5	R
XV-9300LV	1000	Φ330	Φ80 or Φ100	17.4	12	9.25	16	4.5	L