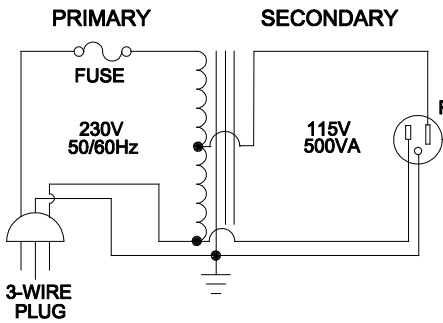
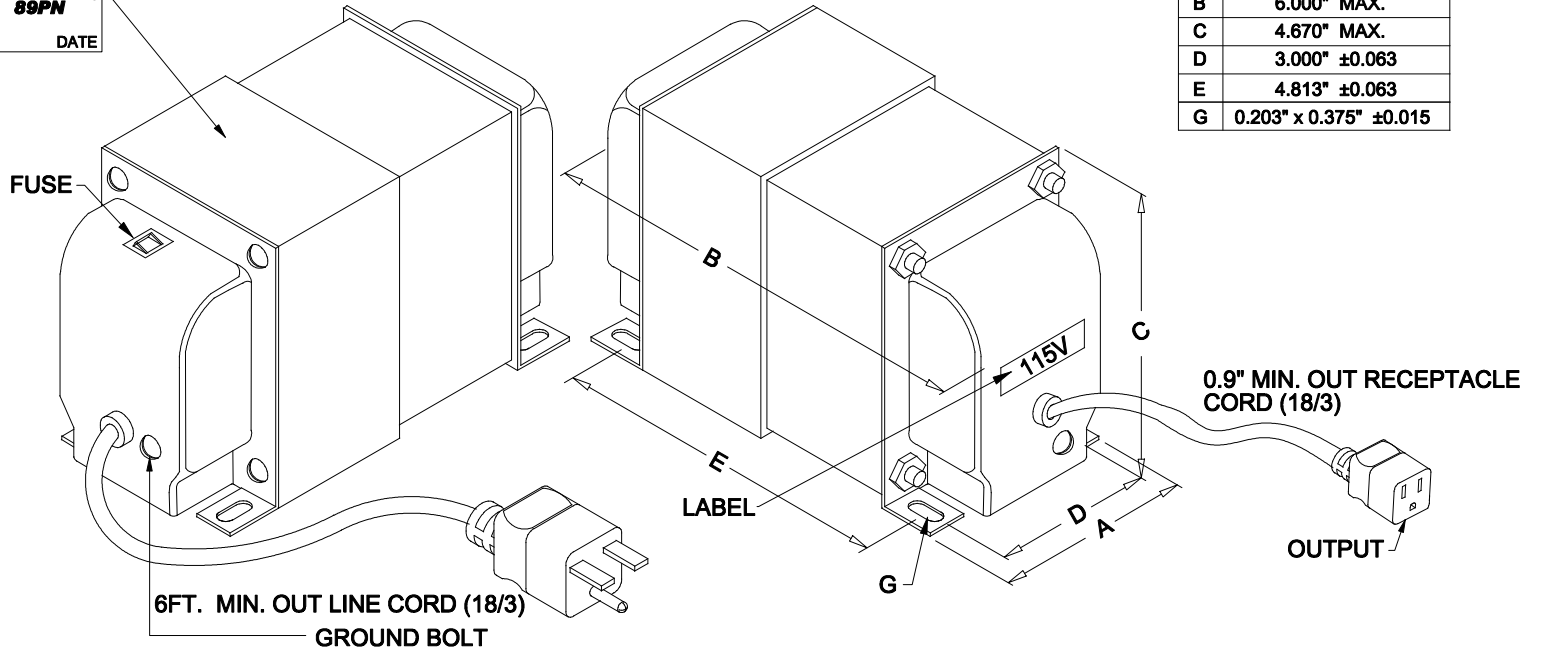
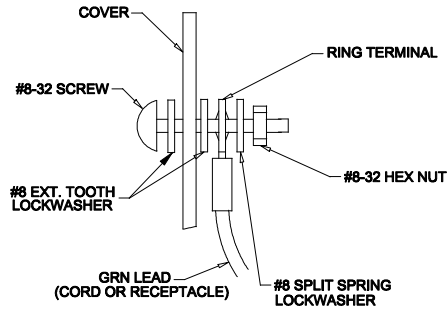

AUTO TRANSFORMER
175D-NA
 INPUT: 230V 50/60Hz 500VA
 OUTPUT: 115V 4.348A
 MADE IN CANADA
 DATE



RECEPTACLE AND PLUG IN SIDE GND BOLT ASSEMBLY



ELECTRICAL DATA:

TESTS	CONDITIONS	ACCEPTANCE CRITERIA
Iex	@ 230V, 60Hz, TO CORD PLUG	658mA Max.
Sec. N.L.V	@ 230V, 60Hz, TO CORD PLUG	
	RECEPTACLE PLUG =	116.56V ±2%
DCR	@ 20°C, TO CORD PLUG =	1.040 Ω ±20%
	@ 20°C, RECEPTACLE PLUG =	0.534 Ω ±20%
HIPOT	PRIMARY - SECONDARY	2000V, 60Hz, 1 SEC

REV.#	REVISION	DATE
0	RELEASED.	01/12/10


HAMMOND

MANUFACTURING™

ELECTRONIC DIVISION
 52 RANKIN PLACE,
 WATERLOO, ONTARIO, N2J 3Z5

PH # (519) 886-6181
 FAX # (519) 886-9540

DWG. BY: C. ILIE
 DATE: 01/12/10
 CHK'D BY:
 APP'D. BY:
 DIMENSIONS: IN(X) MM()

TITLE:
 PLUG IN - STEP DOWN
 AUTO TRANSFORMER

DWG. NO.
 175D-NA