



**9-BIT ECL-TO-TTL
WITH 3-STATE ENABLE**

**SY10H601
SY100H601**

FEATURES

- 9-bit ideal for byte-parity applications
- 3-state TTL outputs
- Flow-through configuration
- Extra TTL and ECL power/ground pins to minimize switching noise
- ECL and TTL 3-state control inputs
- 4.8ns max. delay into 50pF, 9.6ns into 200pF (all outputs switching)
- PNP TTL inputs for low loading
- Choice of ECL compatibility: MECL 10KH (10Hxxx) or 100K (100Hxxx)
- Fully compatible with MC10H/100H601
- Available in 28-pin PLCC package

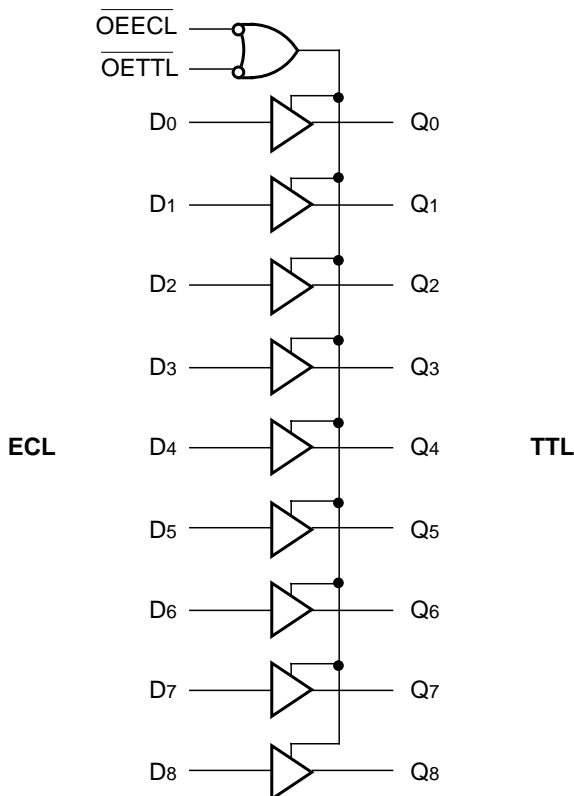
DESCRIPTION

The SY10/100H601 are 9-bit, dual supply ECL-to-TTL translators. Devices in the Micrel 9-bit translator series utilize the 28-lead PLCC for optimal power pinning, signal flow-through and electrical performance.

The devices feature a 48mA TTL output stage and AC performance is specified into both a 50pF and 200pF load capacitance. For the 3-state output disable, both ECL and TTL control inputs are provided, allowing maximum design flexibility.

The 10H version is compatible with MECL 10KH ECL logic levels. The 100H version is compatible with 100K levels.

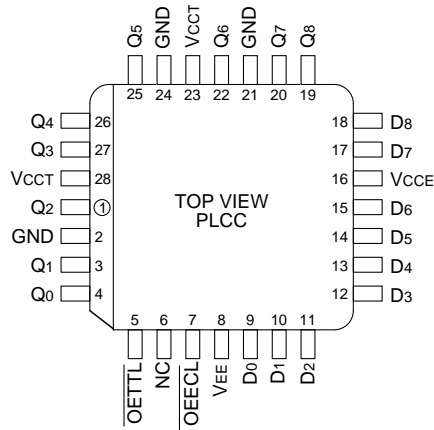
BLOCK DIAGRAM



PIN NAMES

Pin	Function
GND	TTL Ground (0V)
VCCE	ECL Vcc (0V)
VCCT	TTL Supply (+5.0V)
VEE	ECL Supply (-5.2/-4.5V)
D0-D8	Data Inputs (ECL)
Q0-Q8	Data Outputs (TTL)
\overline{OEECL}	3-State Control (ECL)
\overline{OETTL}	3-State Control (TTL)

PACKAGE/ORDERING INFORMATION



28-Pin PLCC (J28-1)

Ordering Information⁽¹⁾

Part Number	Package Type	Operating Range	Package Marking	Lead Finish
SY10H601JC	J28-1	Commercial	SY10H601JC	Sn-Pb
SY10H601JCTR ⁽²⁾	J28-1	Commercial	SY10H601JC	Sn-Pb
SY100H601JC	J28-1	Commercial	SY100H601JC	Sn-Pb
SY100H601JCTR ⁽²⁾	J28-1	Commercial	SY100H601JC	Sn-Pb
SY10H601JZ ⁽³⁾	J28-1	Commercial	SY10H601JZ with Pb-Free bar-line indicator	Matte-Sn
SY10H601JZTR ^(2, 3)	J28-1	Commercial	SY10H601JZ with Pb-Free bar-line indicator	Matte-Sn
SY100H601JZ ⁽³⁾	J28-1	Commercial	SY100H601JZ with Pb-Free bar-line indicator	Matte-Sn
SY100H601JZTR ^(2, 3)	J28-1	Commercial	SY100H601JZ with Pb-Free bar-line indicator	Matte-Sn

Notes:

1. Contact factory for die availability. Dice are guaranteed at T_A = 25°C, DC Electricals only.
2. Tape and Reel.
3. Pb-Free package is recommended for new designs.

TRUTH TABLE

\overline{OEECL}	\overline{OETTL}	D	Q
L	L	L	L
L	L	H	H
H	X	X	Z
X	H	X	Z

DC ELECTRICAL CHARACTERISTICS

VCCT = 5.0V ± 10%; VEE = -4.75V to -5.5V (10H Version); VEE = -4.2V to -5.5V (100H Version)

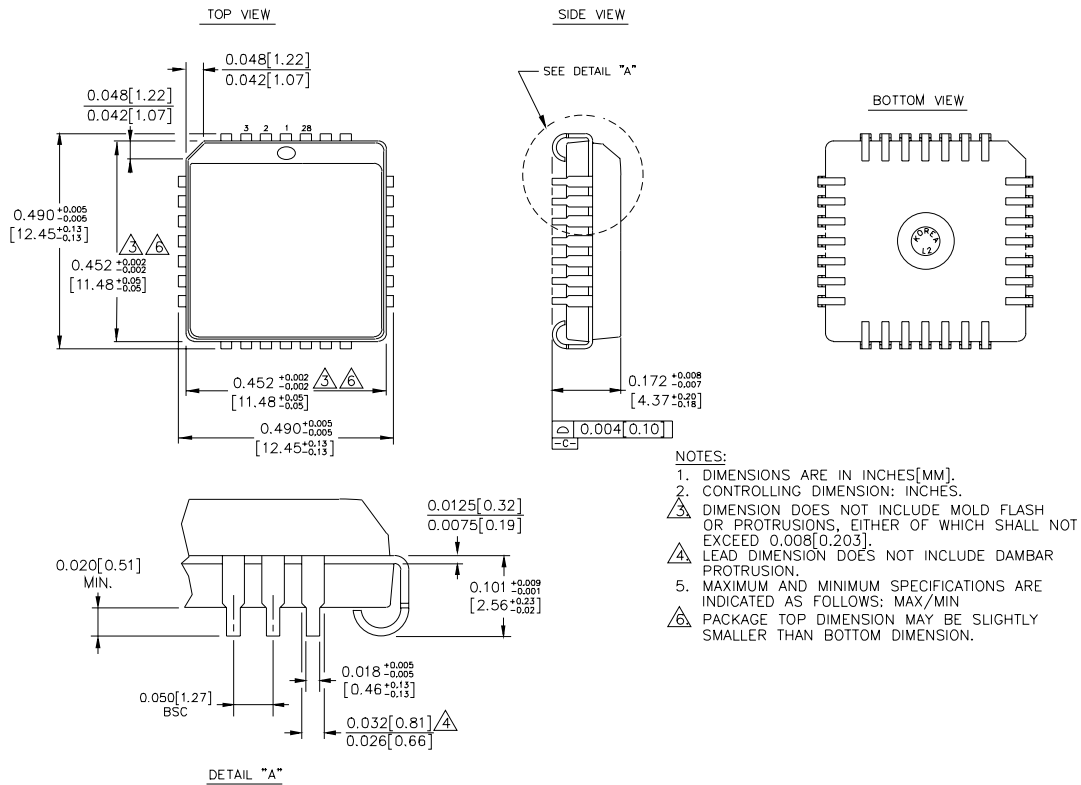
Symbol	Parameter	TA = 0°C		TA = +25°C		TA = +85°C		Unit	Condition
		Min.	Max.	Min.	Max.	Min.	Max.		
IEE	Power Supply Current, ECL	—	46	—	46	—	50	mA	—
ICCH	Power Supply Current, TTL	—	110	—	110	—	110	mA	—
ICCL		—	110	—	110	—	110		
IC CZ		—	105	—	105	—	105		
Ios	Output Short Circuit Current	-100	-225	-100	-225	-100	-225	mA	VOUT = 0V
IozH	Output Disable Current HIGH	—	50	—	50	—	50	μA	VOUT = 2.7V
IozL	Output Disable Current LOW	—	-50	—	-50	—	-50	μA	VOUT = 0.5V

AC ELECTRICAL CHARACTERISTICS

VCCT = 5.0V ± 10%; VEE = -4.75V to -5.5V (10H Version); VEE = -4.2V to -5.5V (100H Version)

Symbol	Parameter	TA = 0°C		TA = +25°C		TA = +85°C		Unit	Condition
		Min.	Max.	Min.	Max.	Min.	Max.		
tPLH	Propagation Delay to Output	1.7	4.8	1.7	4.8	1.7	4.8	ns	CL = 50pF CL = 200pF
tPHL		3.4	9.6	3.4	9.6	3.4	9.6		
tPLZ	Output Disable Time, \overline{OEECL}	3.7	6.5	3.7	6.5	3.7	6.5	ns	CL = 50pF CL = 200pF
tPHZ		5.4	13	5.4	13	5.4	13		
tPLZ	Output Disable Time, \overline{OETTL}	4.3	7.5	4.3	7.5	4.3	7.5	ns	CL = 50pF CL = 200pF
tPHZ		7.0	15	7.0	15	7.0	15		
tPZL	Output Enable Time, \overline{OEECL}	3.5	6.0	3.5	6.0	3.5	6.0	ns	CL = 50pF CL = 200pF
tPZH		5.0	12	5.0	12	5.0	12		
tPZL	Output Enable Time, \overline{OETTL}	4.2	7.0	4.2	7.0	4.2	7.0	ns	CL = 50pF CL = 200pF
tPZH		6.0	14	6.0	14	6.0	14		
tr	Output Rise/Fall Time 1.0V – 2.0V	—	1.2	—	1.2	—	1.2	ns	CL = 50pF CL = 200pF
tf		—	3.0	—	3.0	—	3.0		

28-PIN PLCC (J28-1)



Rev. 03

MICREL, INC. 2180 FORTUNE DRIVE SAN JOSE, CA 95131 USA

TEL + 1 (408) 944-0800 FAX + 1 (408) 474-1000 WEB <http://www.micrel.com>

The information furnished by Micrel in this data sheet is believed to be accurate and reliable. However, no responsibility is assumed by Micrel for its use. Micrel reserves the right to change circuitry and specifications at any time without notification to the customer.

Micrel Products are not designed or authorized for use as components in life support appliances, devices or systems where malfunction of a product can reasonably be expected to result in personal injury. Life support devices or systems are devices or systems that (a) are intended for surgical implant into the body or (b) support or sustain life, and whose failure to perform can be reasonably expected to result in a significant injury to the user. A Purchaser's use or sale of Micrel Products for use in life support appliances, devices or systems is at Purchaser's own risk and Purchaser agrees to fully indemnify Micrel for any damages resulting from such use or sale.

© 2006 Micrel, Incorporated.