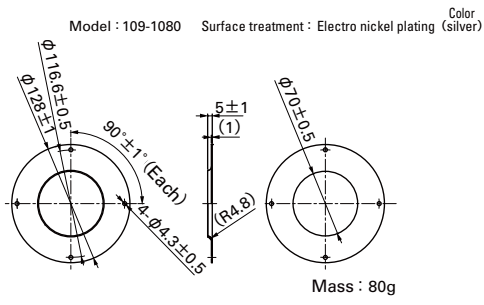


Nozzle mounted in fan inlet side to adjust the flow of introduced air. Material: Steel sheet

**Dimensions (unit : mm)**

**φ100mm type**



**Mounting example**

**Centrifugal fan**

