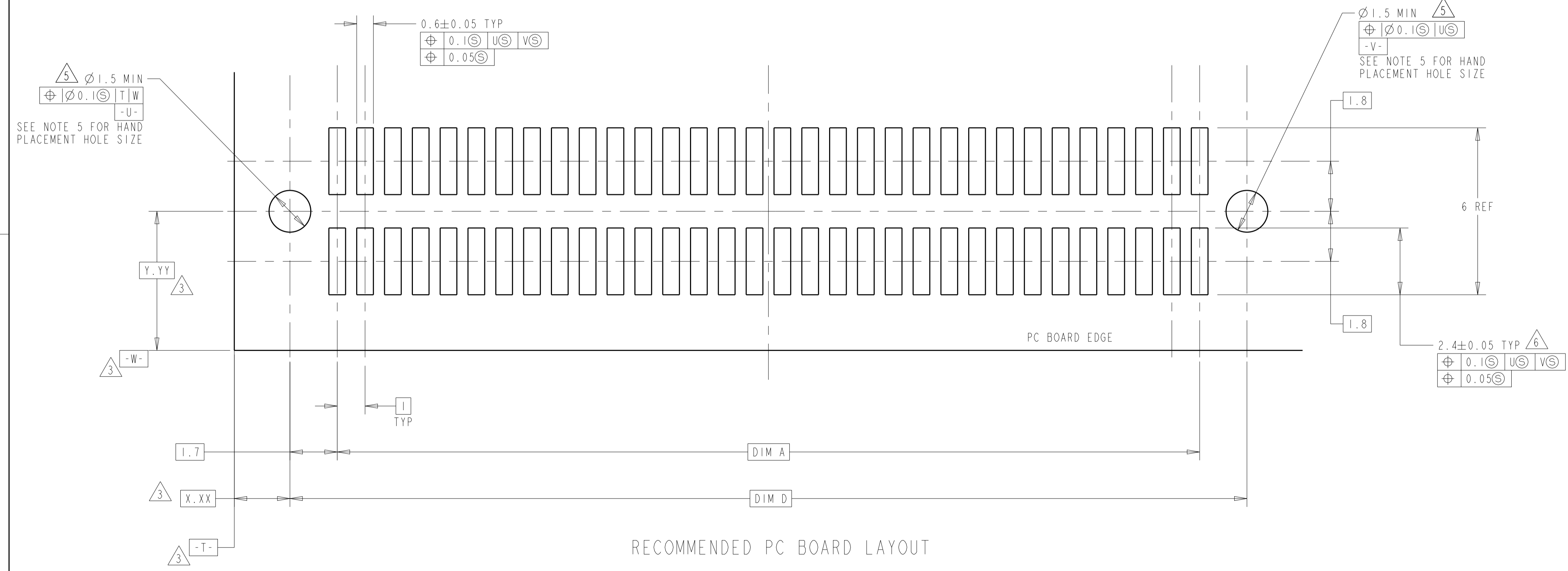
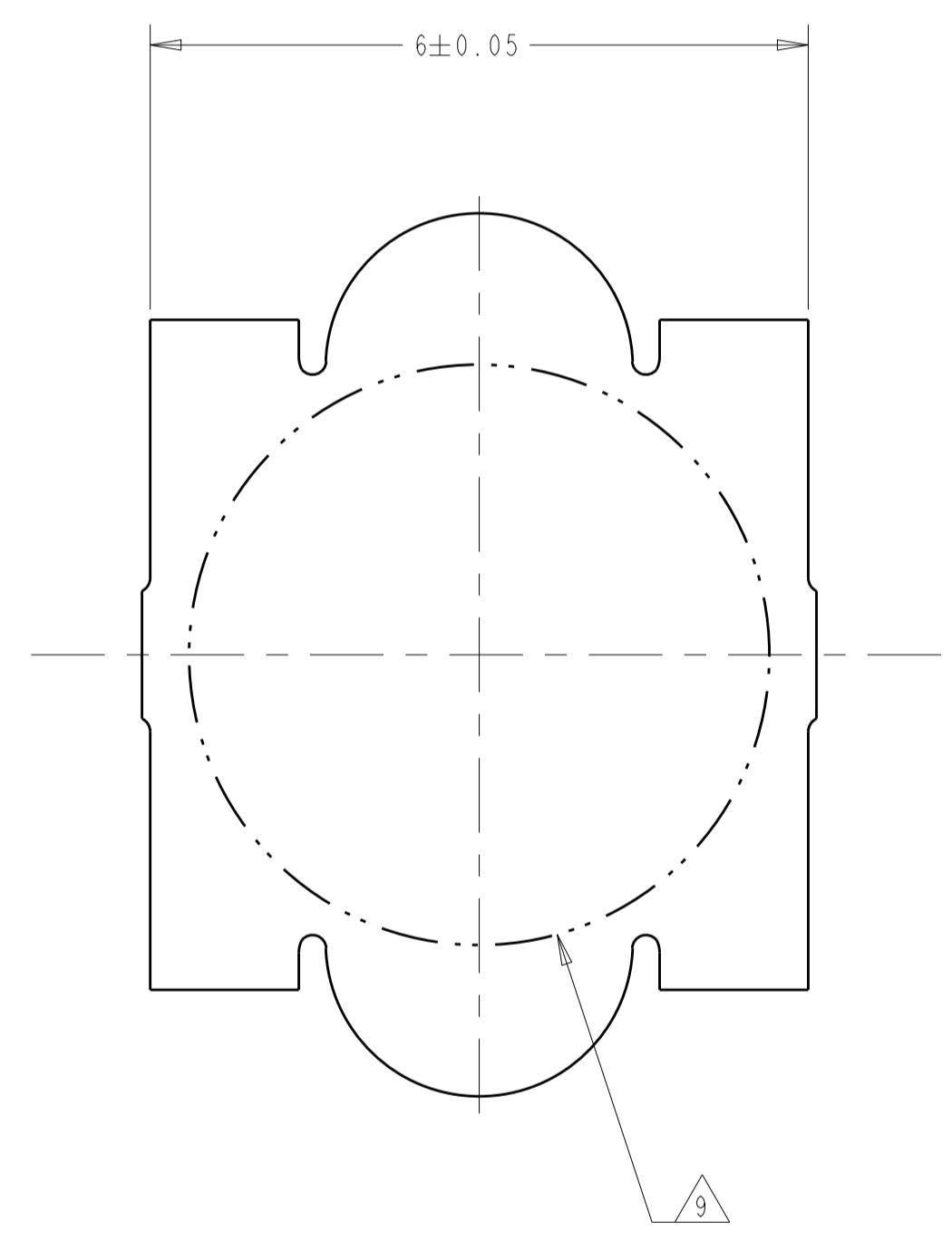
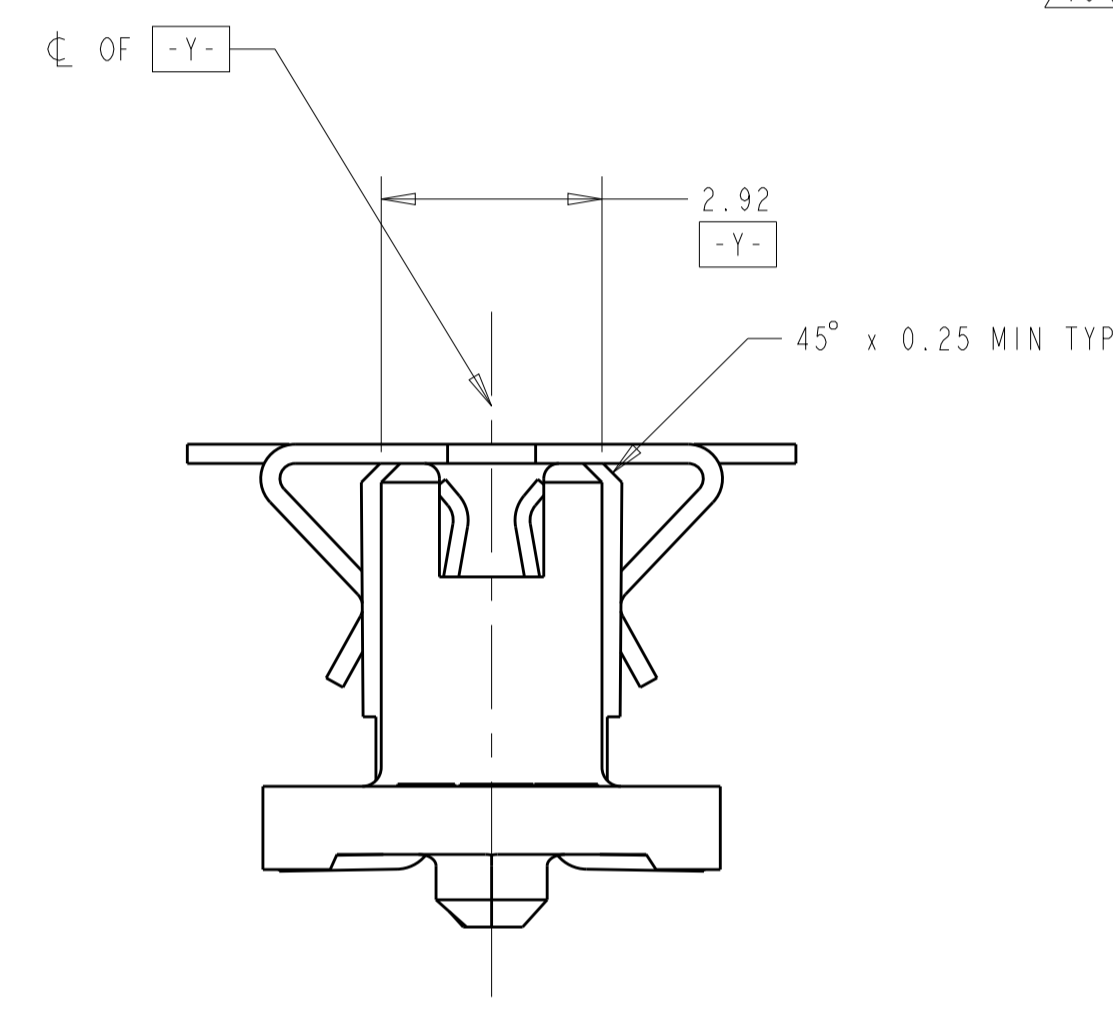
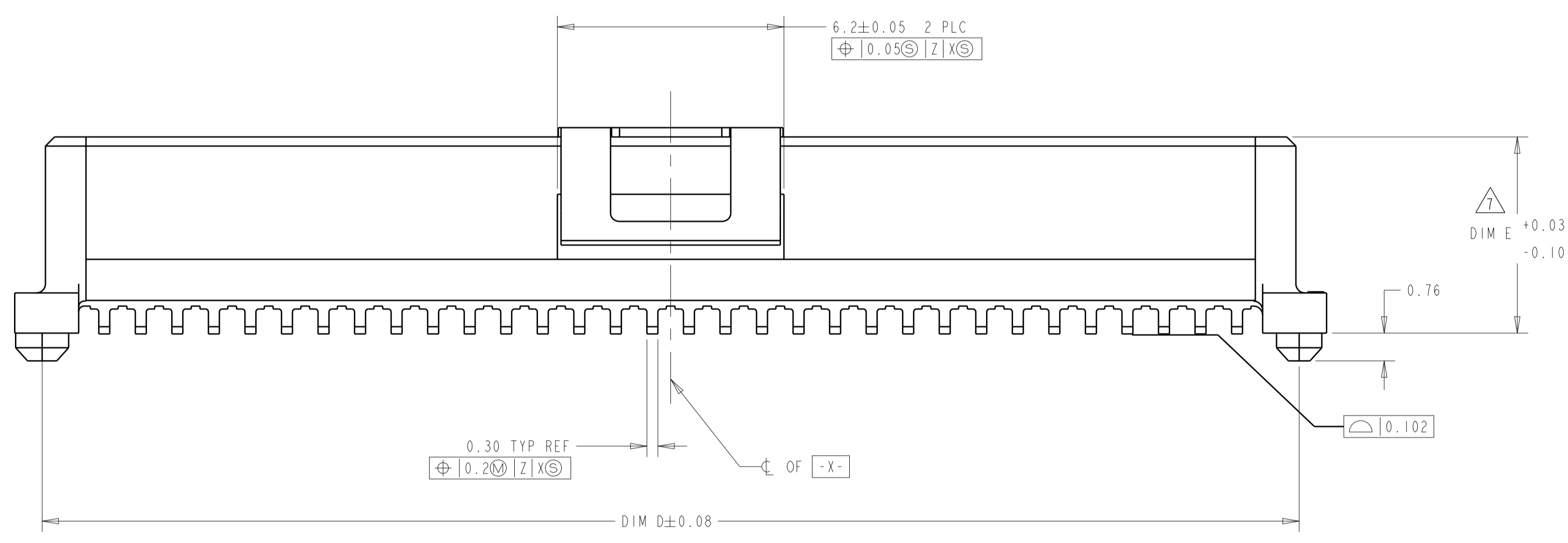
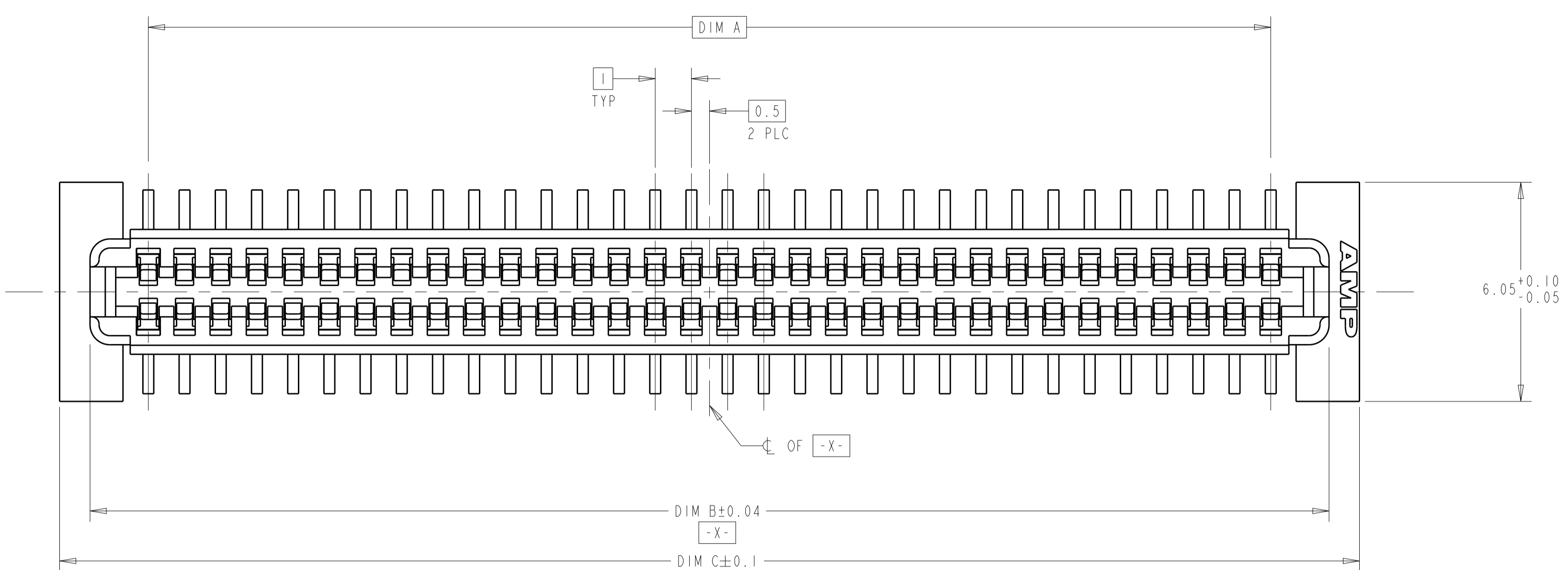


REVISIONS				
P.	LTN	DESCRIPTION	DATE	APVD
B		REV PER ECR-14-016951	11FEB2015	J.T. W.H



- 1 HOUSING MATERIAL: POLYPHTHALAMIDE, COLOR: BLACK. CONTACT MATERIAL: PHOSPHOR BRONZE.
- 2 CONTACT FINISH: 0.002 MINIMUM BRIGHT TIN-LEAD (93-7) ON SOLDER AREA. 0.00127 MINIMUM GOLD ON MATING AREA. BOTH OVER 0.00127 MINIMUM NICKEL ON ENTIRE CONTACT.
- 3 DATUM LOCATIONS AND BASIC DIMENSIONS TO BE ESTABLISHED BY THE CUSTOMER. CONSULT AMP ENGINEERING WHEN PLACING MULTIPLE CONNECTORS ON A PC BOARD.
- 4. PACKAGED IN TAPE ON REEL PER EIA-481.
- 5 1.4±0.05 DIAMETER HOLE WHEN PLACING BY HAND.
- 6 SHORTER SOLDER LANDS MAY BE USED PER EIA 700AAAB, HOWEVER 2.4 LENGTH ASSURES OPTIMUM SOLDER FILLET REGARDLESS OF MANUFACTURER OF CONNECTOR.
- 7 REFERRED TO AS DIM H IN EIA 700AAAB SPECIFICATION.
- 8. VACUUM COVER NOT SHOWN IN SOME VIEWS FOR CLARITY.
- 9 5.5 MIN DIAMETER TARGET AREA FOR VACUUM PICK-UP.
- 10 SEE CATALOG FOR OTHER MATING CONNECTOR OPTIONS.

FINISH	DIM E	DIM D	DIM C	DIM B	DIM A	MATING CONNECTORS	STACK HEIGHTS	POS	TE PART NUMBER
2	10.37	34.4	35.9	34.22	31	1-146888-1	15	64	2007042-4
2	10.37	34.4	35.9	34.22	31	1-146898-1	14	64	2007042-4
2	8.37	34.4	35.9	34.22	31	1-146888-1	13	64	2007042-3
2	7.37	34.4	35.9	34.22	31	1-146888-1	12	64	2007042-2
2	7.37	34.4	35.9	34.22	31	1-146898-1	11	64	2007042-2
2	5.37	34.4	35.9	34.22	31	1-146888-1	10	64	2007042-1
2	5.37	34.4	35.9	34.22	31	1-146898-1	9	64	2007042-1
2	5.37	34.4	35.9	34.22	31	1-146897-1	8	64	2007042-1

THIS DRAWING IS A CONTROLLED DOCUMENT.

DIMENSIONS:	TOLERANCES UNLESS OTHERWISE SPECIFIED:	DWN B. CARBO 04APR2007	CHK D. BRATINA 04APR2007	APVD D. BRATINA 04APR2007
mm	0 PLC ±	NAME RECEPTACLE ASSY, W/ VACUUM COVER, 1.0mm FH (IEEE 1386) CONNECTOR		
	1 PLC ±0.03	PRODUCT SPEC 502-1079		
	3 PLC ±0.003	APPLICATION SPEC		
	4 PLC ±	SIZE CAGE CODE DRAWING NO RESTRICTED TO		
	ANGLES ±0°1'	A1 00779 C=2007042		
MATERIAL	FINISH	WEIGHT	CUSTOMER DRAWING	
	SEE TABLE		SCALE 10:1	SHEET 1 OF 1 REV B