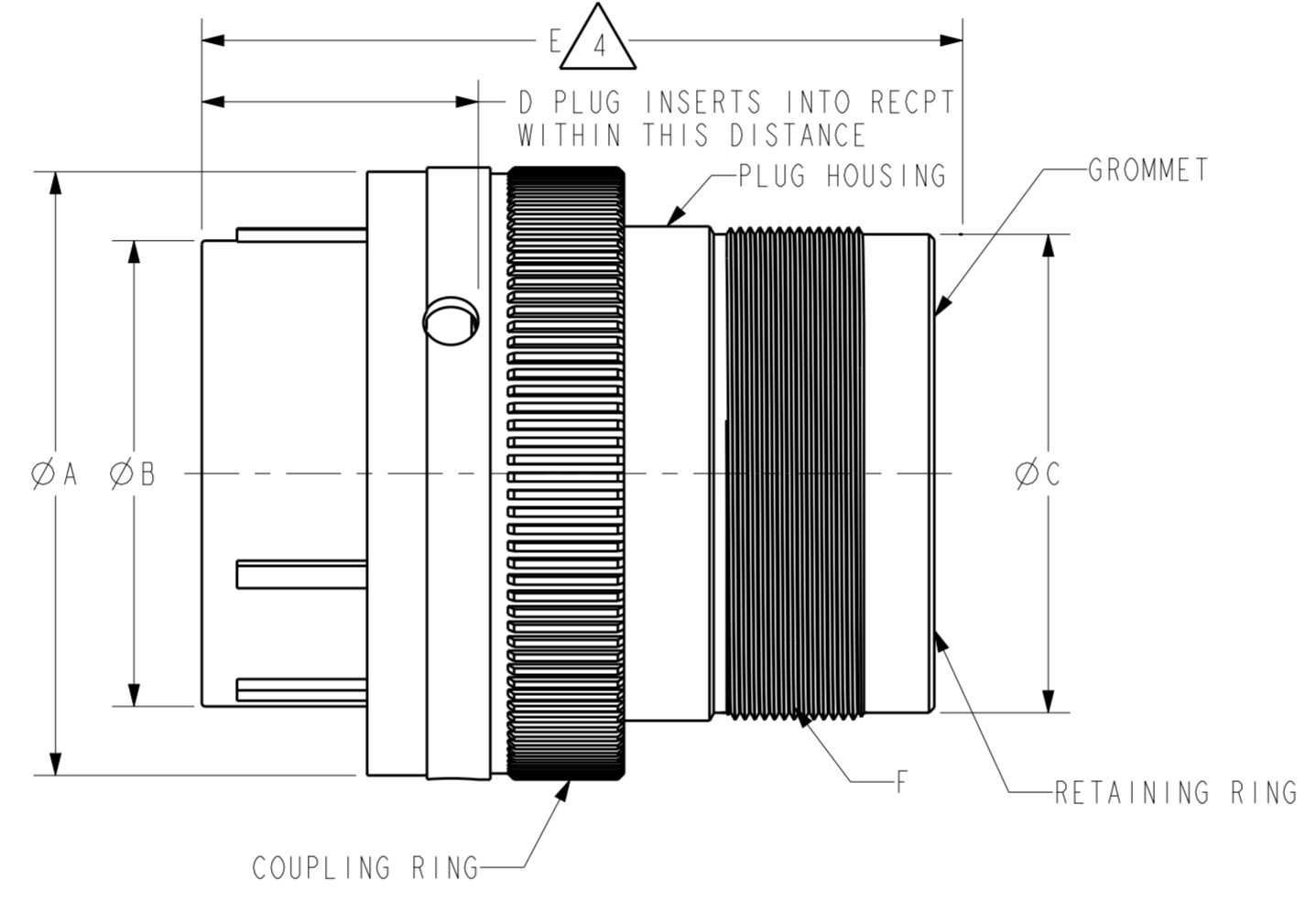
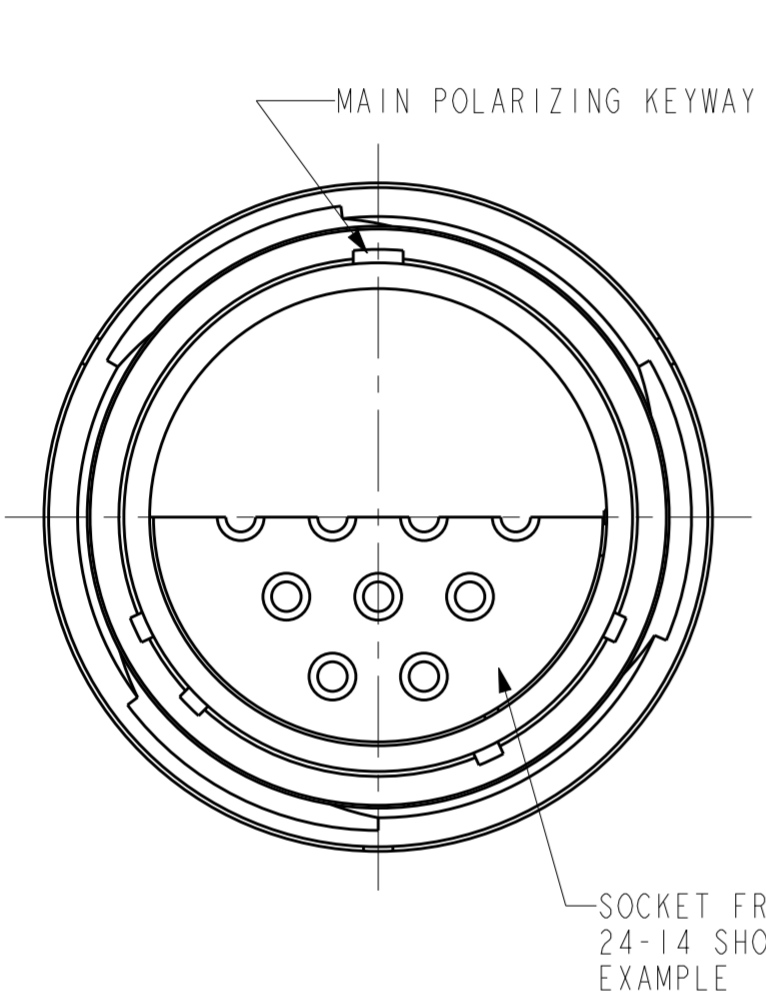
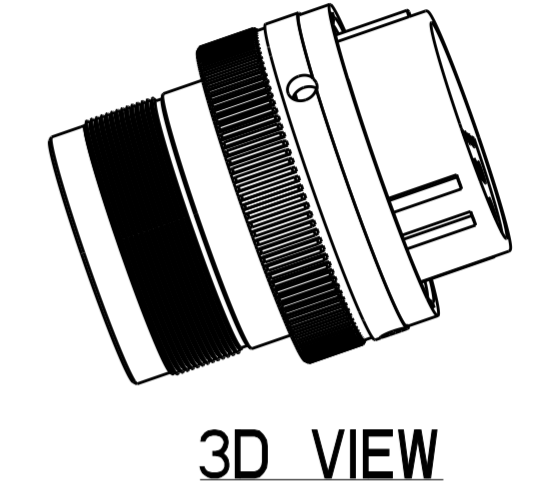


THIS DRAWING IS UNPUBLISHED
 RELEASED FOR PUBLICATION 2017
 BY - TE CONNECTIVITY ALL RIGHTS RESERVED.

P	LTR	DESCRIPTION	DATE	DWN	APVD
	B1	REVISED PER PCN E-17-018475	11DEC2017	CM	DM

CONTACT SIZE	MIN. INSUL O.D.	MAX. INSUL O.D.	WIRE RANGE AWG [mm ²]
4	.280 [7.11]	.420 [10.67]	4-6 [25.0-13.0]
8	.190 [4.83]	.240 [6.10]	8-10 [8.0-5.0]
12	.134 [3.40]	.170 [4.32]	12-14 [3.0-2.0]
16	.100 [2.54]	.134 [3.40]	16-18 [1.0-0.75]



TE INTERNAL PN	DEUTSCH PN	ARRANGEMENT	CONTACT SIZE	CONTACT TYPE
8N1533-24-7S	8N1533-24-7S	24-7	1 SIZE 4 2 SIZE 8 3 SIZE 12 1 SIZE 16	SOC
8N1531-24-12S	8N1531-24-12S	24-12	1 SIZE 4 11 SIZE 16	SOC
8N1529-24-14S	8N1529-24-14S	24-14	14 SIZE 16	SOC
8N1527-24-15S	8N1527-24-15S	24-15	1 SIZE 8 3 SIZE 12 11 SIZE 16	SOC
8N1525-24-20S	8N1525-24-20S	24-20	20 SIZE 16	SOC
8N1520-32-12S	8N1520-32-12S	32-12	1 SIZE 4 3 SIZE 8 8 SIZE 12	SOC
8N1516-32-24S	8N1516-32-24S	32-24	24 SIZE 16	SOC
8N1518-32-25S	8N1518-32-25S	32-25	2 SIZE 4 3 SIZE 8 4 SIZE 12 16 SIZE 16	SOC
8N1514-32-37S	8N1514-32-37S	32-37	37 SIZE 16	SOC

6. PART NUMBER INFO: XXXX = SEE TABLE
 24/32 = PLUG SHELL SIZE; XX = ARRANGEMENT NO.

5. MATERIAL:
 PLUG HOUSING: ALUMINUM (GOLD CHROMATE)
 RETAINING RING: PA66 GF10 (GREEN)
 PIN FRONT: PA66 GF10 (BLACK)
 GROMMET: VMQ (RED-ORANGE)

4. TOTAL DIMENSION WITH WIRE SEAL.

3. FOR CONTACTS AND WIRES PERFORMANCE AND APPLICATION CHARACTERISTICS SEE ENVELOPE DRAWING 4025-001-0000.

2. FOR ARRANGEMENT OF CONTACT LOCATION SEE ENVELOPE DRAWING 4025-006-0000.

1. PLUG IS SUPPLIED WITH DUST CAP PN 6V1824 (SIZE 24), 5P8922 (SIZE 32) NOT SHOWN.

NOTES:

PART NUMBER	SIZE	ØA REF [mm]	ØB [mm]	ØC [mm]	D [mm]	E REF [mm]	F THREAD
8NXXXX-24-XXS/P	24	Ø1.716 [43.59]	Ø1.325 [33.66]	Ø1.368 [34.75]	.780 [19.81]	2.195 [55.75]	1.4375-18UNEF-2A MODIFIED
8NXXXX-32-XXS/P	32	Ø2.380 [60.45]	Ø1.915 [48.64]	Ø1.925 [48.90]	.780 [19.81]	2.195 [55.75]	2.000-18UNS-2A MODIFIED

THIS DRAWING IS A CONTROLLED DOCUMENT.

DWN: A. MALAGON 06 JAN 2010
 CHK: R. MILLIGAN 14 JUL 2010
 APVD: S. BEARD 14 JUL 2010

STE TE Connectivity

NAME: PLUG CONNECTOR SHELL SIZE 24 AND 32 C.E. SERIES

PRODUCT SPEC: -
 APPLICATION SPEC: -
 WEIGHT: -

SIZE: A2 CAGE CODE: 4AFU8 DRAWING NO: 8NXXXX-24/32-XXS/P RESTRICTED TO: -
 SCALE: 1:1 SHEET OF: 1 REV: B1

CUSTOMER DRAWING