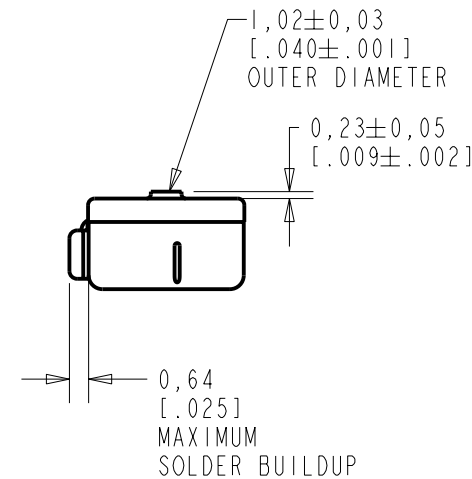
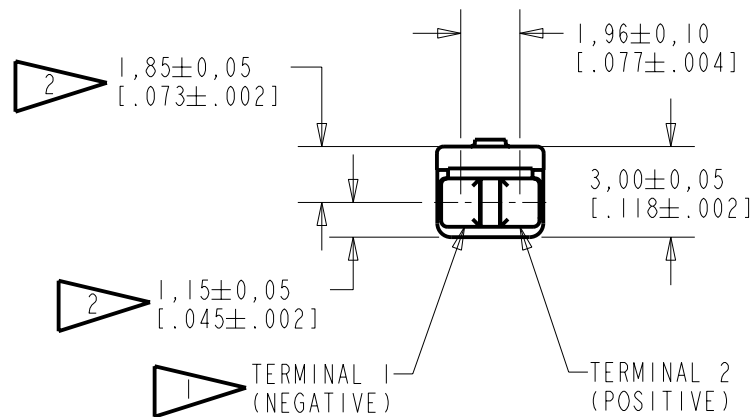
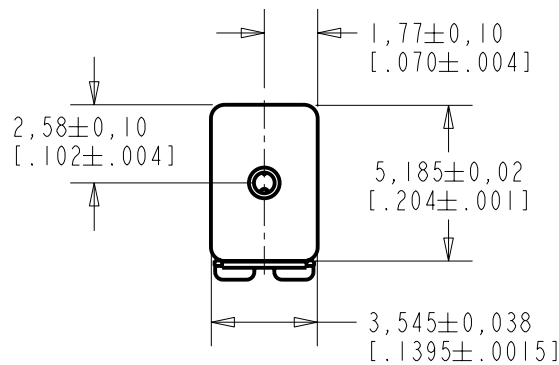


NOTES:

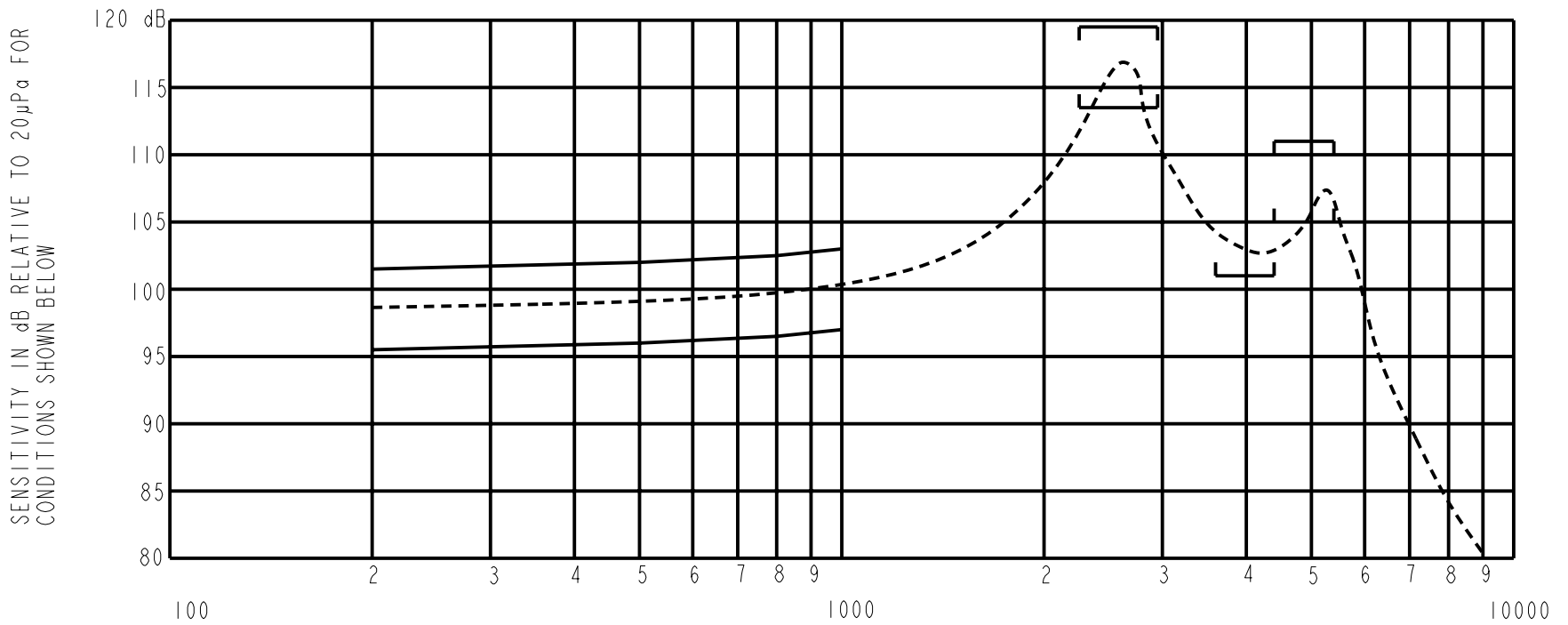
- 1 A POSITIVE GOING VOLTAGE AT TERMINAL 2, RELATIVE TO TERMINAL 1, CAUSES A DECREASE IN PRESSURE AT THE SOUND OUTLET.
- 2 LOCATED FROM TWO SURFACES FOR CUSTOMER CONVENIENCE. ONLY APPLICABLE FROM ONE SURFACE, NOT TO BE USED TOGETHER. HORIZONTAL LOCATION FOR TERMINAL CENTERED TO  $\pm 0,17$  [  $.007$  ].



NOMINAL WEIGHT  
.23 GRAMS DIMENSIONS IN MILLIMETERS [ INCHES ]

**KNOWLES ELECTRONICS**  
ITASCA, ILLINOIS U.S.A.

Revision	C.O. #	Implementation Date	RELEASE LEVEL	REVISION
B	CI0103366	11-10-05	Released	B
A	CI0103099	9-8-05		
SCALE: 4:1			DR. BY: MMM	DATE: 9-8-05
DO NOT SCALE DRAWING			CK. BY: GJP	DATE: 9-12-05
TITLE: RECEIVER		EH-23044-000		APP. BY: GJP
OUTLINE DRAWING		SHT 1.1		DATE: 9-12-05



NOTES:

FREQUENCY IN HERTZ

1. MEASUREMENTS MADE USING 10mm (.394") OF 1mm (.039") ID TUBE CONNECTED TO A SIMULATED ANSI S3.3-1960 TYPE HA-3 COUPLER. (T3479 AND B & K DB0138)

2. SENSITIVITY

FREQUENCY	SENSITIVITY	
	MIN.	MAX.
200	95.5	101.5
500	96.0	102.0
800	96.5	102.5
1000	97.0	103.0
2250-2950	113.5	119.5
3600-4400	101.0	---
4400-5400	105.0	111.0

3. RESPONSE, IMPEDANCE, AND DISTORTION MEASUREMENTS MADE USING THE ELECTRICAL TEST CONDITIONS SHOWN BELOW.

4. ELECTRICAL SOURCE IMPEDANCE MUST BE GREATER THAN 20 TIMES 1KHz IMPEDANCE FOR TEST CONDITIONS SHOWN BELOW.

5. INDIVIDUAL SPECIFICATIONS.

PORT LOCATION	IMPEDANCE OHMS ±15%		DCR @20°C OHMS ±10%	DISTORTION		ELECTRICAL TEST CONDITIONS	
	1KHz	500Hz		MAX. %	FREQ Hz	AC mA RMS	DC mA
OJM	1055	625	395	10	800	0.71	1.00

Revision	C.O. #	Implementation Date	RELEASE LEVEL	REVISION
B	C10103366	11-10-05	Released	B
A	C10103099	9-8-05		

**KNOWLES ELECTRONICS**  
ITASCA, ILLINOIS U.S.A.

WHEN TEST LIMITS ARE USED TO ESTABLISH INCOMING INSPECTION ACCEPTANCE/REJECTION CRITERIA, CORRELATION OF TEST EQUIPMENT WITH KNOWLES IS ALSO REQUIRED FOR ELIMINATION OF EQUIPMENT AND TEST METHOD VARIATION

TITLE: **RECEIVER**  
PERFORMANCE SPECIFICATION

**EH-23044-000**  
SHT 2.1

DR. BY	DATE
MMM	9-8-05
CK. BY	DATE
GJP	9-12-05
APP. BY	DATE
GJP	9-12-05