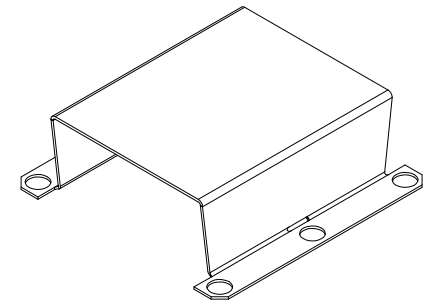
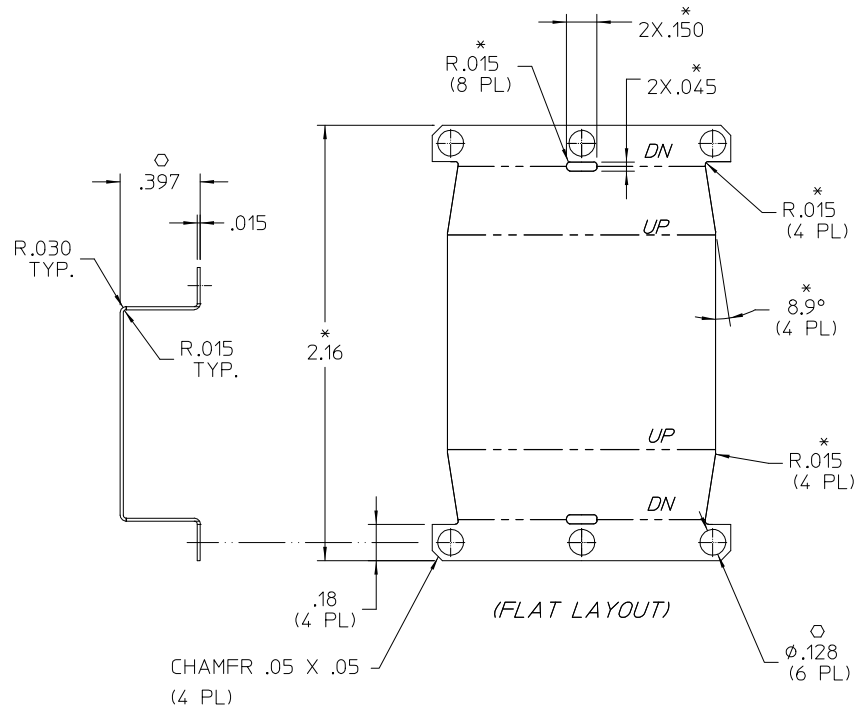
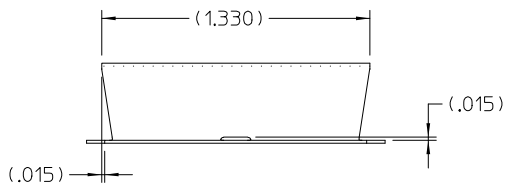
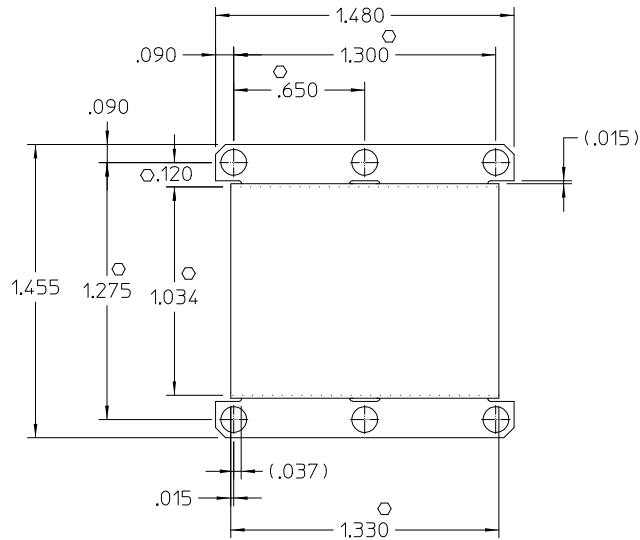


THIS DOCUMENT AND THE DATA DISCLOSED HEREIN OR HEREWITH IS NOT TO BE REPRODUCED, USED, OR DISCLOSED IN WHOLE OR IN PART TO ANYONE WITHOUT PERMISSION OF VICOR CORP.

REV.	DESCRIPTION	DATE	APPROVED
1	RELEASED PER E054227	11/17/05	EF



NOTES:

1. MATERIAL: ALUMINUM- (.015) THK, 5052
2. REMOVE BURRS & SHARP EDGES
3. "*" DIMS ARE NOT FOR VICOR INSPECTION.
4. O DENOTES CRITICAL CHARACTERISTIC FOR LOT INSPECTION.
5. CLEAR FINISH, RoHS COMPLIANT, CHROMIUM FREE PER CST-0001 LATEST REVISION.

DRAWN BY	DATE	VICOR	
P.E.IENI	05/25/05	SHIELD BASE PLATE SLOTTED (MICRO)	
UNLESS OTHERWISE SPECIFIED DIMENSIONS ARE IN INCHES- TOLERANCES ARE:		SIZE	REV
FRACTIONS	DECIMALS	ANGLES	
+1/64	.XX+ .01	*1°	
	.XXX+ .005		
THIRD ANGLE PROJECTION	SCALE	FSCM NO.	DWG NO.
DO NOT SCALE DRAWING	2:1	67131	30141
			1
			SHEET 1 OF 1