

**SMALL, TYPE 1**

**INDUSTRY STANDARDS**

 UL 50, 50E Listed; Type 1; File No. E27567  
 cUL Listed per CSA C22.2 No 40; Type 1; File No. E27567

 NEMA/EEMAC Type 1  
 CSA, File 42184: Type 1  
 IEC 60529, IP30

**APPLICATION**

These enclosures have a size range of 6 x 6 x 4-in. to 14 x 12 x 8-in. and meet basic functionality requirements for applications that do not require oil- or dust-tight enclosures.

**FEATURES**

- Flush slotted latch operated with a screwdriver; optional latches available
- Weldnuts provided for mounting optional panels
- Butt hinges
- Mounting holes on back of enclosure

**SPECIFICATIONS**

- 16 gauge steel

**FINISH**

ANSI 61 gray polyester powder paint finish inside and out over pretreated surfaces. Optional solid panels are white and optional perforated panels are gray.

**ACCESSORIES**
*See also Accessories.*

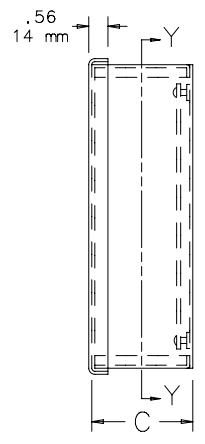
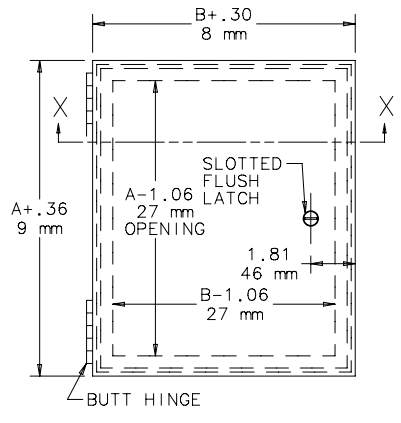
- T-Handle Latch and Keyed Cylinder Lock Kits
- Grounding Device
- Panels for Type 1 Enclosures and Small Type 3R Enclosures
- T-Handle Latch and Keyed Cylinder Lock Kits
- Touch-Up Paint
- Steel and Stainless Steel Window Kits

**BULLETIN: A1SM**

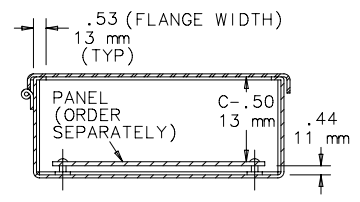
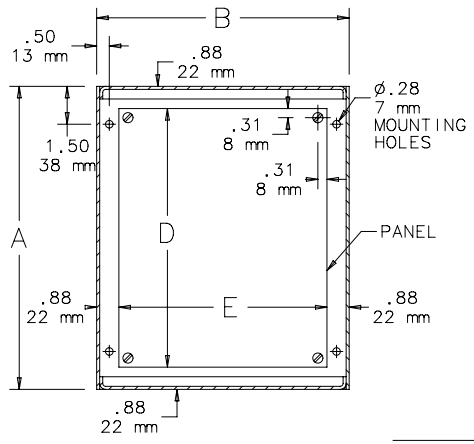
## Standard Product

Catalog Number	AxBxC in./mm	Panel	Perforated Panel	Panel Size D x E in./mm
A6N64	6.00 x 6.00 x 4.00 152 x 152 x 102	A6N6P	A6N6PP	4.25 x 4.25 108 x 108
A8N64	8.00 x 6.00 x 4.00 203 x 152 x 102	A8N6P	A8N6PP	6.25 x 4.25 159 x 108
A8N84	8.00 x 8.00 x 4.00 203 x 203 x 102	A8N8P	A8N8PP	6.25 x 6.25 159 x 159
A10N84	10.00 x 8.00 x 4.00 254 x 203 x 102	A10N8P	A10N8PP	8.25 x 6.25 210 x 159
A10N104	10.00 x 10.00 x 4.00 254 x 254 x 102	A10N10P	A10N10PP	8.25 x 8.25 210 x 210
A12N104	12.00 x 10.00 x 4.00 305 x 254 x 102	A12N10P	A12N10PP	10.25 x 8.25 260 x 210
A12N124	12.00 x 12.00 x 4.00 305 x 305 x 102	A12N12P	A12N12PP	10.25 x 10.25 260 x 260
A14N124	14.00 x 12.00 x 4.00 356 x 305 x 102	A14N12P	A14N12PP	12.25 x 10.25 311 x 260
A8N66	8.00 x 6.00 x 6.00 203 x 152 x 152	A8N6P	A8N6PP	6.25 x 4.25 159 x 108
A8N86	8.00 x 8.00 x 6.00 203 x 203 x 152	A8N8P	A8N8PP	6.25 x 6.25 159 x 159
A10N86	10.00 x 8.00 x 6.00 254 x 203 x 152	A10N8P	A10N8PP	8.25 x 6.25 210 x 159
A10N106	10.00 x 10.00 x 6.00 254 x 254 x 152	A10N10P	A10N10PP	8.25 x 8.25 210 x 210
A12N106	12.00 x 10.00 x 6.00 305 x 254 x 152	A12N10P	A12N10PP	10.25 x 8.25 260 x 210
A12N126	12.00 x 12.00 x 6.00 305 x 305 x 152	A12N12P	A12N12PP	10.25 x 10.25 260 x 260
A14N126	14.00 x 12.00 x 6.00 356 x 305 x 152	A14N12P	A14N12PP	12.25 x 10.25 311 x 260
A16N126	16.00 x 12.00 x 6.00 406 x 305 x 152	A16N12P	A16N12PP	14.25 x 10.25 362 x 260
A20N126	20.00 x 12.00 x 6.00 508 x 305 x 152	A20N12P	A20N12PP	18.25 x 10.25 464 x 260
A12N128	12.00 x 12.00 x 8.00 305 x 305 x 203	A12N12P	A12N12PP	10.25 x 10.25 260 x 260
A14N128	14.00 x 12.00 x 8.00 356 x 305 x 203	A14N12P	A14N12PP	12.25 x 10.25 311 x 260

Purchase panels separately.



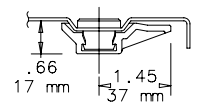
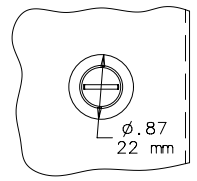
NOTE: 1. Panels are 14 gauge steel.  
2. Panel screws have #10-32 threads.



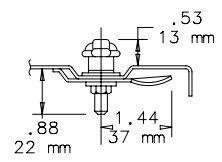
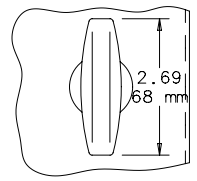
SECTION X-X

SECTION Y-Y

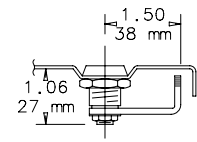
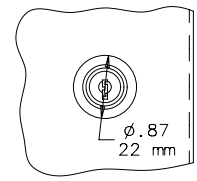
Optional Latches



Standard Slotted Flush Latch



\*T\* Handle Latch Kit AL7A



Cylinder Lock Kit AL12AR C2572-C