



Eval Kit Manual

AS1313

Standard Board

AS1313-TD-xx_EK_ST

Content Guide

1	Introduction	3
1.1	Kit Content	3
2	Getting Started	4
3	Hardware Description.....	4
4	Schematics, Layers and BOM	6
4.1	Schematic of AS1313 Evaluation Board	6
4.2	Layers of AS1313 Evaluation Board	7
4.3	BOM	8
5	Ordering & Contact Information	9
6	Copyrights & Disclaimer.....	10
7	Revision Information	11

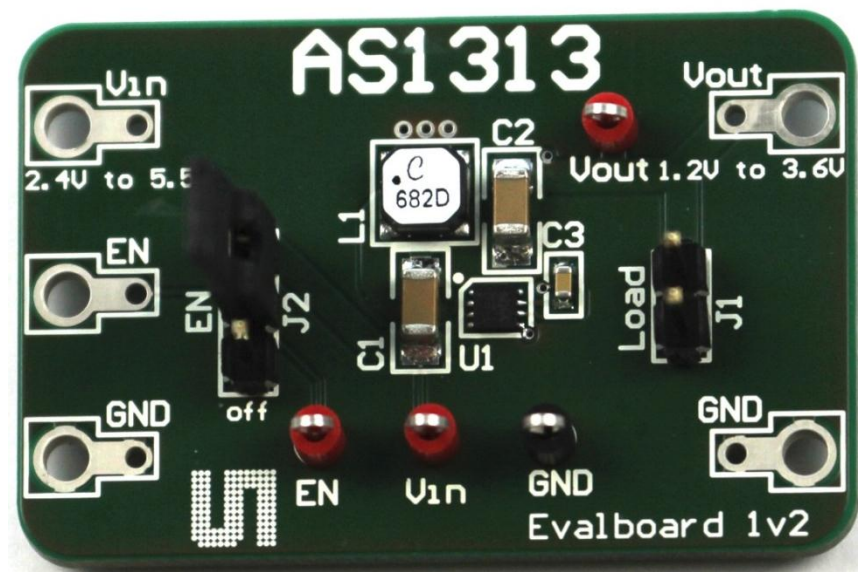
1 Introduction

This document describes the AS1313 Evaluation Kit.

The AS1313 is an ultra-low quiescent current hysteretic step-down DC-DC converter optimized for light loads and with efficiencies of up to 95%.

1.1 Kit Content

Figure 1: Kit Content



Item	Comment
AS1313 Evaluation Board 1v2	Ultra Low Quiescent Current, DC-DC Step Down Converter

2 Getting Started

Drive the AS1313 Step-Down DC/DC Converter only with the recommended settings and values as described in the datasheet.

Please check www.ams.com for the latest version.

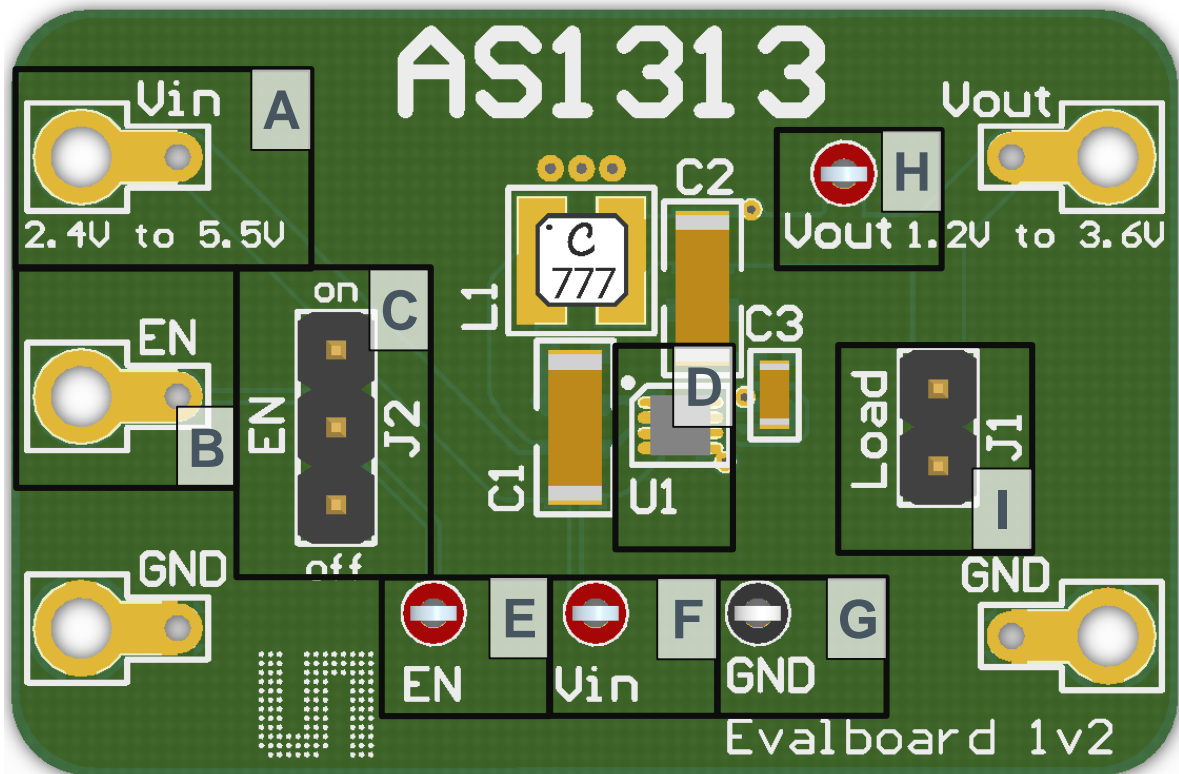
A detailed overview of AS1313 Evaluation Board is given in chapter 3, [Hardware Description](#).

3 Hardware Description

The Evaluation Board has to be supplied via the pins VIN and GND in the range of 2.4V up to 5.5V. The jumper “EN”, section C in the picture below, must be set to “on” (upwards) in order to enable the chip. AS1313 supports output voltages between 1.2V and 3.6V and besides the current range of standard variants, any variant with output in 50mV steps are available. The AS1313 is available in an 8-pin MLPD (2mm x 2mm) and a 6-pin WL-CSP (0.4mm pitch).

The offered output voltage and package versions of AS1313 Evaluation Kit are stated under chapter 4, [Ordering & Contact Information](#).

Figure 2: Evaluation Board Overview



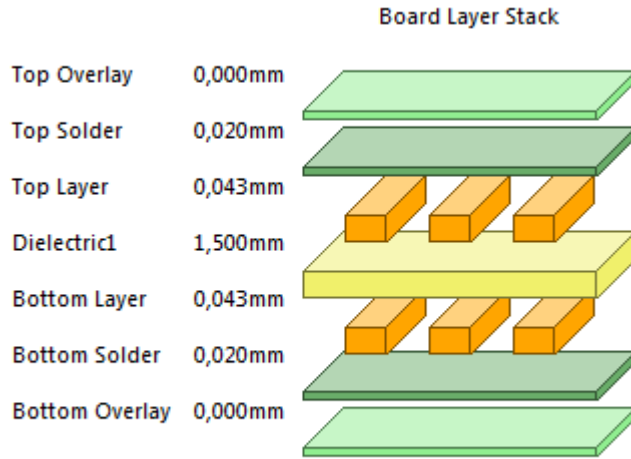
Jumper and device locations

Label	Name	Designator	Description	Info
A	Vin	-	Supply	Voltage Range from 2.4V to 5.5V
B	EN	-	Enable	Active-High Enable Input. A logic low on this pin shuts down the device and reduces the supply current to max. 100nA. "EN" Jumper (J2) must be removed in case this connector is controlled by external signals!
C	EN	J2	Enable ON/OFF	Enable/disable the chip
D	AS1313	U1	8-pin MLPD (2mm x 2mm) package	Ultra Low Quiescent Current, DC-DC Step Down Converter
E	EN	-	Measuring pin	-
F	Vin	-	Measuring pin	-
G	GND	-	Measuring pin	-
H	Vout	-	Measuring pin	-
I	Load	J1	Load connector	Designated for load connection

4 Schematics, Layers and BOM

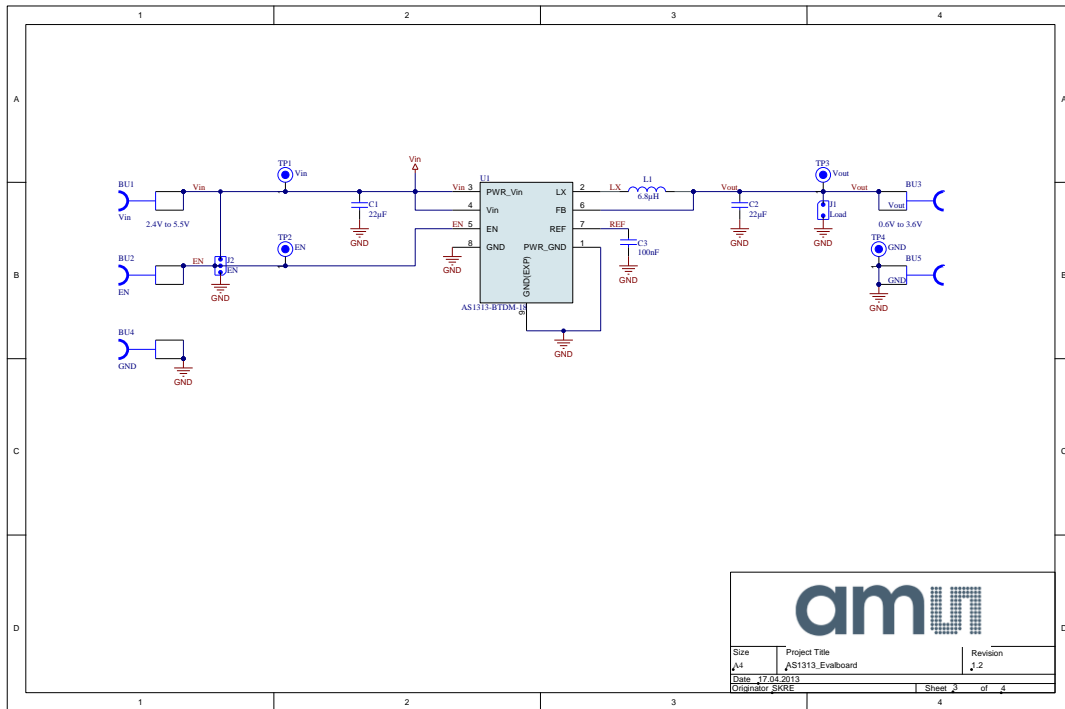
The AS1313 Evaluation Board is a 2-layer FR4 board.

Figure 3: AS1313 PCB Layer Stack up



4.1 Schematic of AS1313 Evaluation Board

Figure 4: Schematic



4.2 Layers of AS1313 Evaluation Board

Figure 5: Top Layer

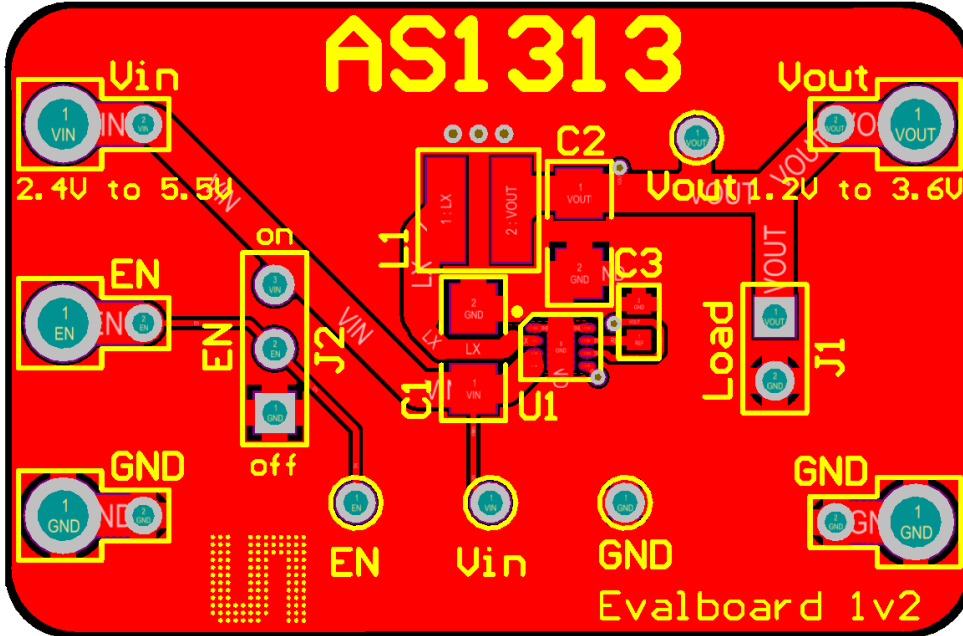
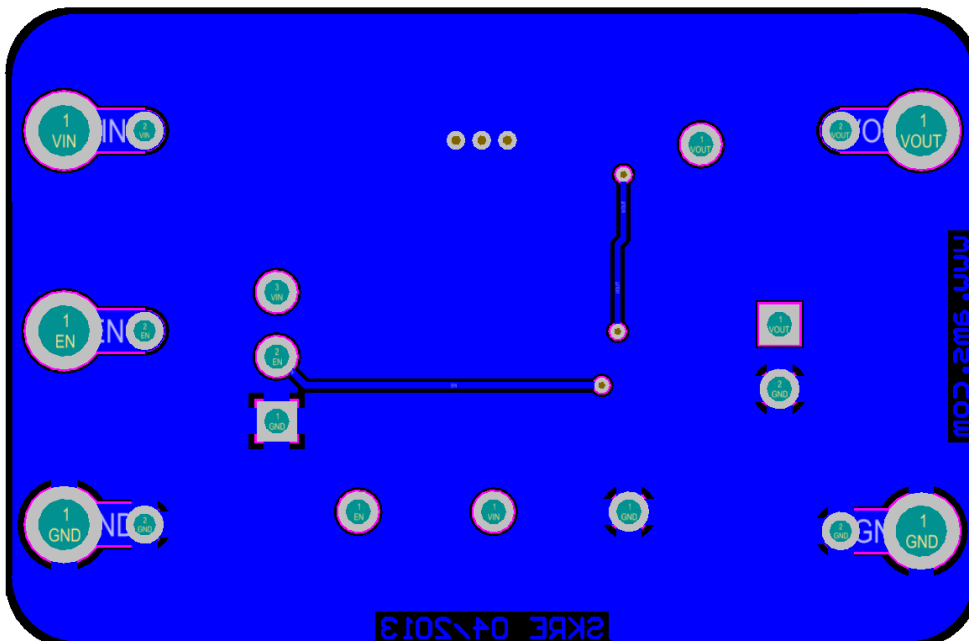


Figure 6: Bottom Layer



4.3 BOM

Figure 7: Bill of Material

Bill of Materials		AS1313_Evalboard				ams
Company:		ams AG				
Originator:		SKRE				
PCB Name:		AS1313_Evalboard				
PCB Version:		1.2				
Report Date:		17.04.2013				
#	Designator	Comment	Component Description	Manufacturer	Manufacturer Part Number	Quantity
1	C1, C2	22µF	MURATA - GRM319R61A226ME15D - CAPACITOR, 1206, 22UF, 10V	MURATA	GRM319R61A226ME15D	2
2	C3	100nF	MURATA - GRM188R71C104KA01D - CAPACITOR, 0603, X7R, 16V, 100NF	MURATA	GRM188R71C104KA01D	1
3	J1, J2	Load, EN	FISCHER ELEKTRONIK - SL11 124 36G - HEADER, 36PIN, 2.54MM PITCH	FISCHER ELEKTRONIK	SL11 124 36G	2
4	L1	6.8µH	COILCRAFT - LPS4018-682MLB - POWER INDUCTOR 6.8UH, 1.5A, 0%,50MHZ	COILCRAFT	LPS4018-682MLB	1
5	TP1, TP2, TP3	Vin, EN, Vout	VERO - 20-313137 - RED BEAD TERMINAL ASSY FOR 1.02mm hole	VERO	20-313137	3
6	TP4	GND	VERO - 20-2137 - BLACK BEAD TERMINAL ASSY FOR 1.02mm hole	VERO	20-2137	1
7	U1	AS1313	ULTRA LOW QUIESCENT CURRENT, DC-DC STEP DOWN CONVERTER	ams	AS1313-BTDM-18 or AS1313-BTDM-30	1
Approved		Notes				11

5 Ordering & Contact Information

Ordering Code	Description
AS1313-TD-xx_EK_ST	AS1313 Eval Kit Standard Board On request
AS1313-TD-18_EK_ST	AS1313 Eval Kit Standard Board Vout = 1.8V Version
AS1313-TD-30_EK_ST	AS1313 Eval Kit Standard Board Vout = 3.0V Version

Buy our products or get free samples online at:

www.ams.com/ICdirect

Technical Support is available at:

www.ams.com/Technical-Support

Provide feedback about this document at:

www.ams.com/Document-Feedback

For further information and requests, e-mail us at:

ams_sales@ams.com

For sales offices, distributors and representatives, please visit:

www.ams.com/contact

Headquarters

ams AG

Tobelbaderstrasse 30

8141 Unterpemstaetten

Austria, Europe

Tel: +43 (0) 3136 500 0

Website: www.ams.com

6 Copyrights & Disclaimer

Copyright ams AG, Tobelbader Strasse 30, 8141 Unterpremstaetten, Austria-Europe. Trademarks Registered. All rights reserved. The material herein may not be reproduced, adapted, merged, translated, stored, or used without the prior written consent of the copyright owner.

Demo Kits, Evaluation Kits and Reference Designs are provided to recipient on an “as is” basis for demonstration and evaluation purposes only and are not considered to be finished end-products intended and fit for general consumer use, commercial applications and applications with special requirements such as but not limited to medical equipment or automotive applications. Demo Kits, Evaluation Kits and Reference Designs have not been tested for compliance with electromagnetic compatibility (EMC) standards and directives, unless otherwise specified. Demo Kits, Evaluation Kits and Reference Designs shall be used by qualified personnel only.

ams AG reserves the right to change functionality and price of Demo Kits, Evaluation Kits and Reference Designs at any time and without notice.

Any express or implied warranties, including, but not limited to the implied warranties of merchantability and fitness for a particular purpose are disclaimed. Any claims and demands and any direct, indirect, incidental, special, exemplary or consequential damages arising from the inadequacy of the provided Demo Kits, Evaluation Kits and Reference Designs or incurred losses of any kind (e.g. loss of use, data or profits or business interruption however caused) as a consequence of their use are excluded.

ams AG shall not be liable to recipient or any third party for any damages, including but not limited to personal injury, property damage, loss of profits, loss of use, interruption of business or indirect, special, incidental or consequential damages, of any kind, in connection with or arising out of the furnishing, performance or use of the technical data herein. No obligation or liability to recipient or any third party shall arise or flow out of ams AG rendering of technical or other services.

7 Revision Information

Changes from 1-00 (2014-) to current revision 1-01 (2014-Jul)	Page
Update to latest ams design	all

Note: Page numbers for the previous version may differ from page numbers in the current revision.