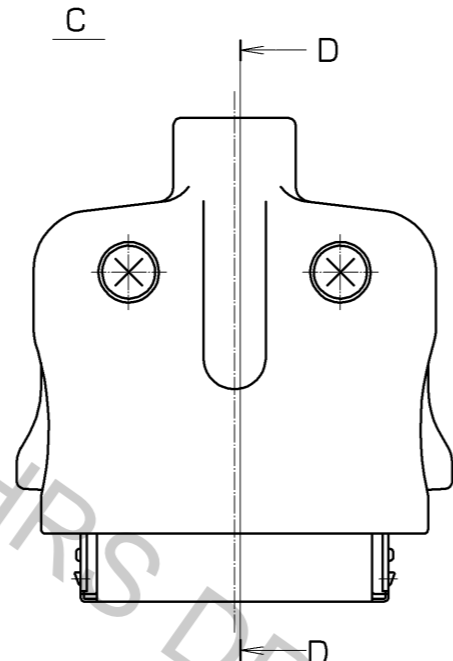
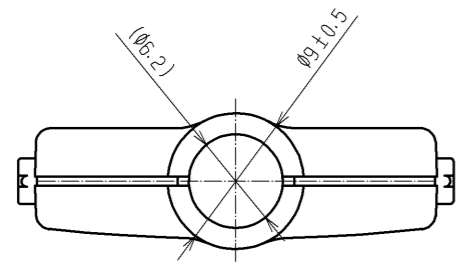
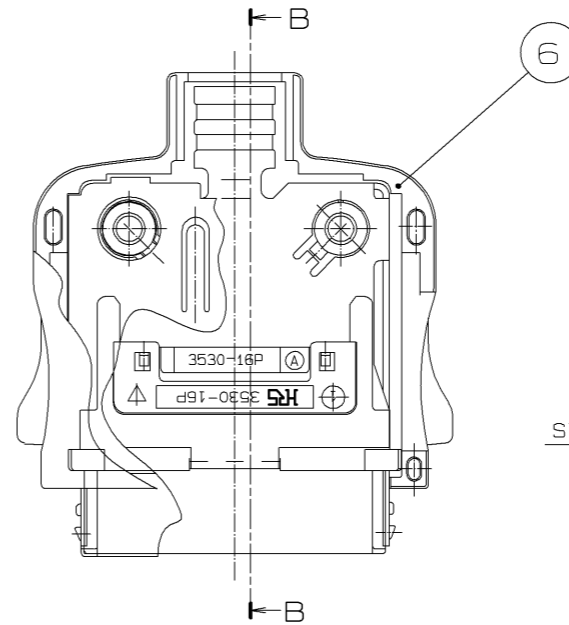


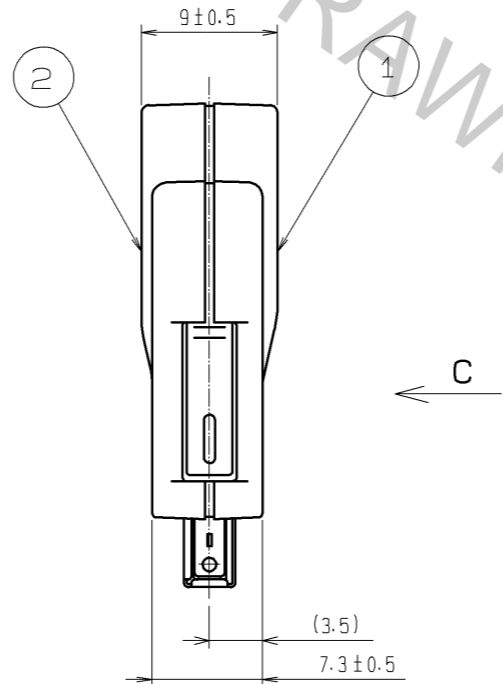
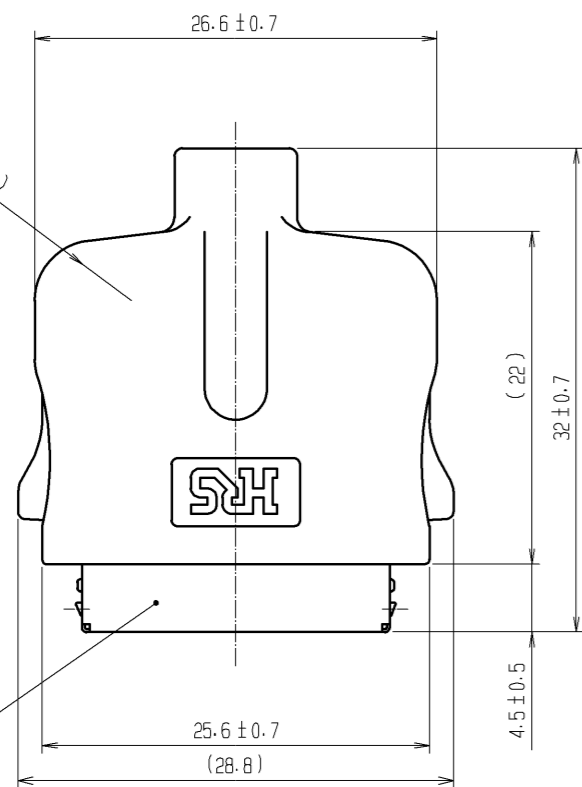
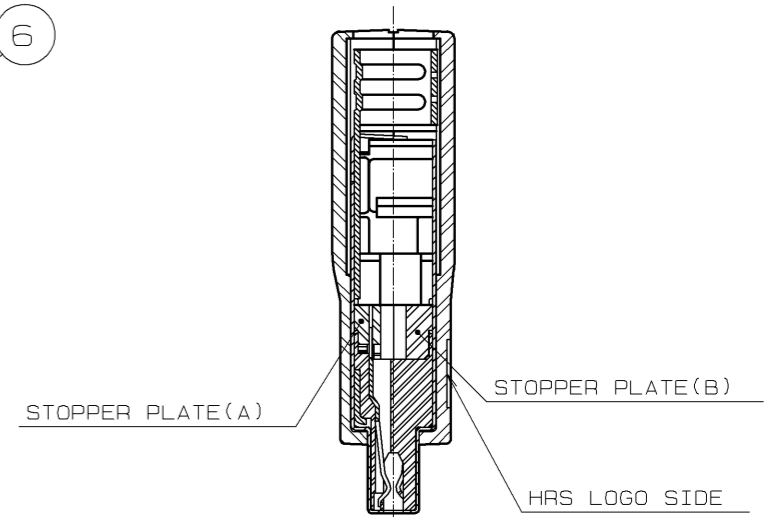
Apr.1.2017 Copyright 2017 HIROSE ELECTRIC CO., LTD. All Rights Reserved.



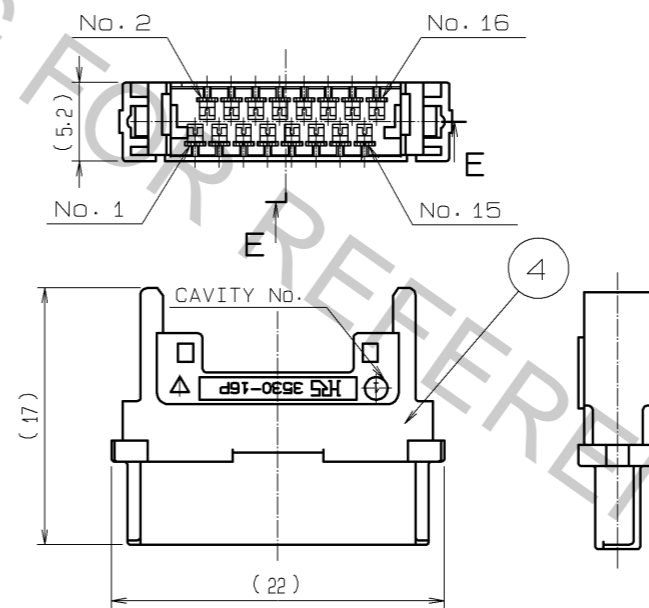
CONSTRUCTION (REFERENCE)



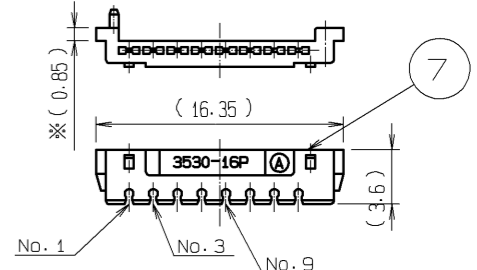
D-D (REFERENCE)



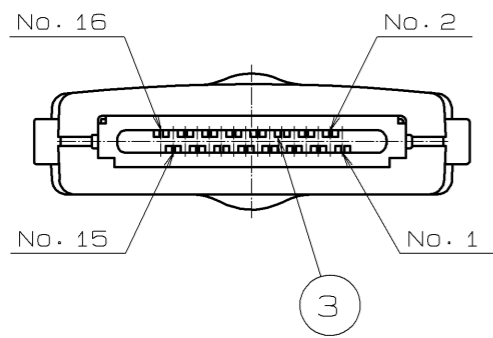
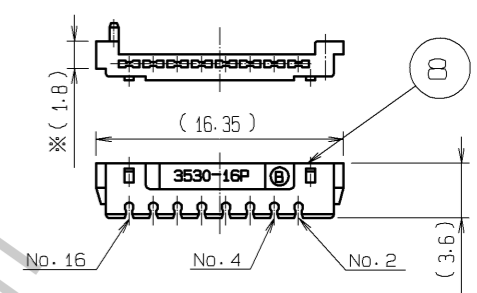
CONNECTOR UNIT



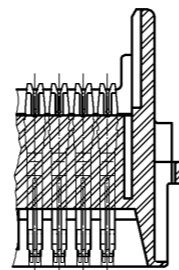
STOPPER PLATE (A) (※-0.85)



STOPPER PLATE (B) (※-1.8)



E-E



NOTE. 1 THIS PRODUCT SHALL BE IN DISASSEMBLED CONDITION (EXCEPT CONNECTOR UNIT ③, ④) WHEN DELIVERED.

NO.	MATERIAL	FINISH	REMARKS	NO.	MATERIAL	FINISH	REMARKS
5	STAINLESS STEEL			9	STEEL	BLACK	TAPPING SCREW
4	POLYAMIDE	BLACK	UL94V-0	8	PBT	BLACK	UL94V-0
3	COPPER ALLOY	SELECTIVE GOLD PLATING	0.2μm	7	PBT	BLACK	UL94V-0
2	POLYCARBONATE	BLACK	UL94V-0	6	STAINLESS STEEL		
1	POLYCARBONATE	BLACK	UL94V-0				

UNITS	SCALE	COUNT	DESCRIPTION OF REVISIONS	DESIGNED	CHECKED	DATE
mm	2 : 1	2	DIS-E-004505	TA. ASO	NM. NISHIMATSU	13.02.05

APPROVED	DATE	DRAWING NO.
H.O. MIWA	05.01.05	EDC3-120419-01
CHECKED	DATE	PART NO.
YH. ENAMI	05.01.05	3530A-16P-CV(50)
DESIGNED	DATE	CODE NO.
TU. TANIGUCHI	05.01.05	CL235-0003-9-50
DRAWN	DATE	
TU. TANIGUCHI	05.01.05	