

PIC32MX570F512L 100-pin to 100-pin TQFP CAN-USB Plug-In Module (PIM) Information Sheet

OVERVIEW

The PIC32MX570F512L PIM is designed to demonstrate the capabilities of the PIC32MX570F512L family of devices using development boards such as the Explorer 16 Development Board, which supports 100-pin PIM interfaces, in conjunction with CAN and USB PICtail™ Plus Daughter Boards.

The PIC32MX570F512L is a high performance 32-bit CAN-USB microcontroller in a 100-pin TQFP package.

Table 1 shows the mapping between the 100-pin PIM interface board functions and the device pins.

Figure 1 through Figure 3 provide schematics for the device and the PIM.

TABLE 1: 100-PIN TO 100-PIN PIM MAPPING

Device Pin #	PIC32MX570F512L Functional Description	PIM Pin #	Explorer 16 Development Board Signal Name
1	AN28/RG15	51	RF3/U1TX
2	VDD	2	VDD
3	AN22/RPE5/PMD5/RE5	3	RE5/PMD5
4	AN23/PMD6/RE6	4	RE6/PMD6
5	AN27/PMD7/RE7	5	RE7/PMD7
6	AN29/PC1/RC1	6	RC1
7	AN30/PC2/RC2	7	RC2
8	AN31/PC3/RC3	8	RC3
9	PC4/CTED7/RC4	9	RC4
10	AN16/C1IND/RPG6/SCK2/PMA5/RG6	10	RG6/PMA5/SCK2
11	AN17/C1INC/RPG7/PMA4/RG7	11	RG7/PMA4/SDI2
12	AN18/C2IND/RPG8/PMA3/RG8	12	RG8/PMA3/SDO2
13	MCLR	13	MCLR
14	AN19/C2INC/RPG9/PMA2/RG9	14	RG9/PMA2/SS2
15	Vss	15	Vss
16	VDD	16	VDD
17	TMS/CTED1/RA0	17	RA0/TMS
18	AN32/RPE8/RE8	18	RE8/INT1
19	AN33/RPE9/RE9	19	RE9/INT2
20	AN5/C1INA/RPB5/RB5/VBUSON	20	RB5/AN5
21	AN4/C1INB/USBOEN/RB4	21	RB4/AN4
22	AN3/C2INA/RPB3/RB3/PGD3	22	RB3/AN3
23	AN2/CTCMP/C2INB/RPB2/CTED13/RB2/PGC3	23	RB2/SS1/AN2
24	AN1/RPB1/CTED12/RB1/PGC1	24	RB1/AN1
25	AN0/RPB0/RB0/PGD1	25	RB0/AN0
26	AN6/RPB6/RB6/PGC2	26	RB6/AN6
27	AN7/RPB7/CTED3/RB7/PGD2	27	RB7/AN7
28	VREF-/PMA7/RA9	28	RA9/PMA7
29	VREF+/PMA6/RA10	29	RA10/PMA6

PIC32MX570F512L

TABLE 1: 100-PIN TO 100-PIN PIM MAPPING (CONTINUED)

Device Pin #	PIC32MX570F512L Functional Description	PIM Pin #	Explorer 16 Development Board Signal Name
30	AVDD	30	AVDD
31	AVSS	31	AVSS
32	AN8/RPB8/CTED10/RB8	32	RB8/AN8
33	AN9/RPB9/CTED4/RB9	33	RB9/AN9
34	CVREFOUT/AN10/RPB10/CTED11/PMA13/RB10	34	RB10/PMA13
35	AN11/PMA12/RB11	35	RB11/PMA12
36	VSS	36	VSS
37	VDD	37	VDD
38	TCK/CTED2/RA1	38	RA1/TCK
39	AN34/RPF13/SCK3/RF13	39	RF13/U2RTS
40	AN35/RPF12/RF12	40	RF12/U2CTS
41	AN12/PMA11/RB12	41	RB12
42	AN13/PMA10/RB13	42	RB13/PMPA10
43	AN14/RPB14/CTED5/PMA1/PSPA1/RB14	43	RB14/PMPA1
44	AN15/RPB15/OCFB/CTED6/PMA0/PSPA0/RB15	44	RB15/PMA0
45	VSS	45	VSS
46	VDD	46	VDD
47	AN36/RPD14/RD14	47	RD14/U1CTS
48	AN37/RPD15/SCK4/RD15	48	RD15/U1RTS
49	RPF4/PMA9/RF4	49	RF4/PMPA9/U2RX
50	RPF5/PMA8/RF5	50	RF5/PMPA8/U2TX
51	USBID/RPF3/RF3	95	RG14
52	AN38/RPF2/RF2	52	RF2/U1RX
53	AN39/RPF8/RF8	53	RF8/SD01
54	VBUS	1	RG15
55	VUSB	62	VDD
56	D-	89	RG1
57	D+	90	RG0
58	SCL2/RA2	58	RA2/SCL2
59	SDA2/RA3	59	RA3/SDA2
60	TDI/CTED9/RA4	60	RA4/TDI
61	TDO/RA5	61	RA5/TDO
62	VDD	62	VDD
63	OSC1/CLKI/RC12	63	OSC1
64	OSC2/CLKO/RC15	64	OSC2
65	VSS	65	VSS
66	RPA14/SCL1/RA14	66	RA14/INT3
67	RPA15/SDA1/RA15	67	RA15/INT4
68	RPD8/RTCC/RD8	68	RD8
69	RPD9/RD9	69	RD9
70	RPD10/SCK1/PMA15/RD10	70	RD10/PMCS2
71	RPD11/PMA14/PSPCS/RD11	71	RD11/PMCS1
72	RPD0/INT0/RD0	72	RD0
73	SOSCI/IPC13/RC13	73	RC13

PIC32MX570F512L

TABLE 1: 100-PIN TO 100-PIN PIM MAPPING (CONTINUED)

Device Pin #	PIC32MX570F512L Functional Description	PIM Pin #	Explorer 16 Development Board Signal Name
74	SOSCO/RPC14/T1CK/RC14	74	RC14
75	Vss	75	Vss
76	AN24/RPD1/RD1	76	RD1
77	AN25/RPD2/RD2	77	RD2
78	AN26/C3IND/RPD3/RD3	78	RD3/PMBE
79	AN40/RPD12/PMD12/RD12	79	RD12
80	AN41/PMD13/RD13	80	RD13
81	RPD4/PMWR/PSPWR/RD4	81	RD4/PMWR
82	RPD5/PMRD/PSPRD/RD5	82	RD5/PMRD
83	AN42/C3INC/PMD14/RD6	83	RD6
84	AN43/C3INB/PMD15/RD7	84	RD7
85	V _{CAP}	85	No Connection
86	V _{DD}	86	V _{DD}
87	AN44/C3INA/RPF0/PMD11/RF0	87	RF0
88	AN45/RPF1/PMD10/RF1	88	RF1
89	RPG1/PMD9/RG1	54	RF7/SDI1
90	RPG0/PMD8/RG0	55	RF6/SCK1
91	TRCLK/RA6	91	RA6
92	TRD3/CTED8/RA7	92	RA7
93	AN46/PMD0/RE0	93	RE0/PMD0
94	AN47/PMD1/RE1	94	RE1/PMD1
95	TRD2/RG14	57	RG2/SCL1
96	TRD1/RG12	96	RG12
97	TRD0/RG13	97	RG13
98	AN20/PMD2/RE2	98	RE2/PMD2
99	RPE3/CTPLS/PMD3/RE3	99	RE3/PMD3
100	AN21/PMD4/RE4	100	RE4/PMD4
—	No Connection	56	RG3/SDA1

PIC32MX570F512L

FIGURE 1: 100-PIN DEVICE SCHEMATIC

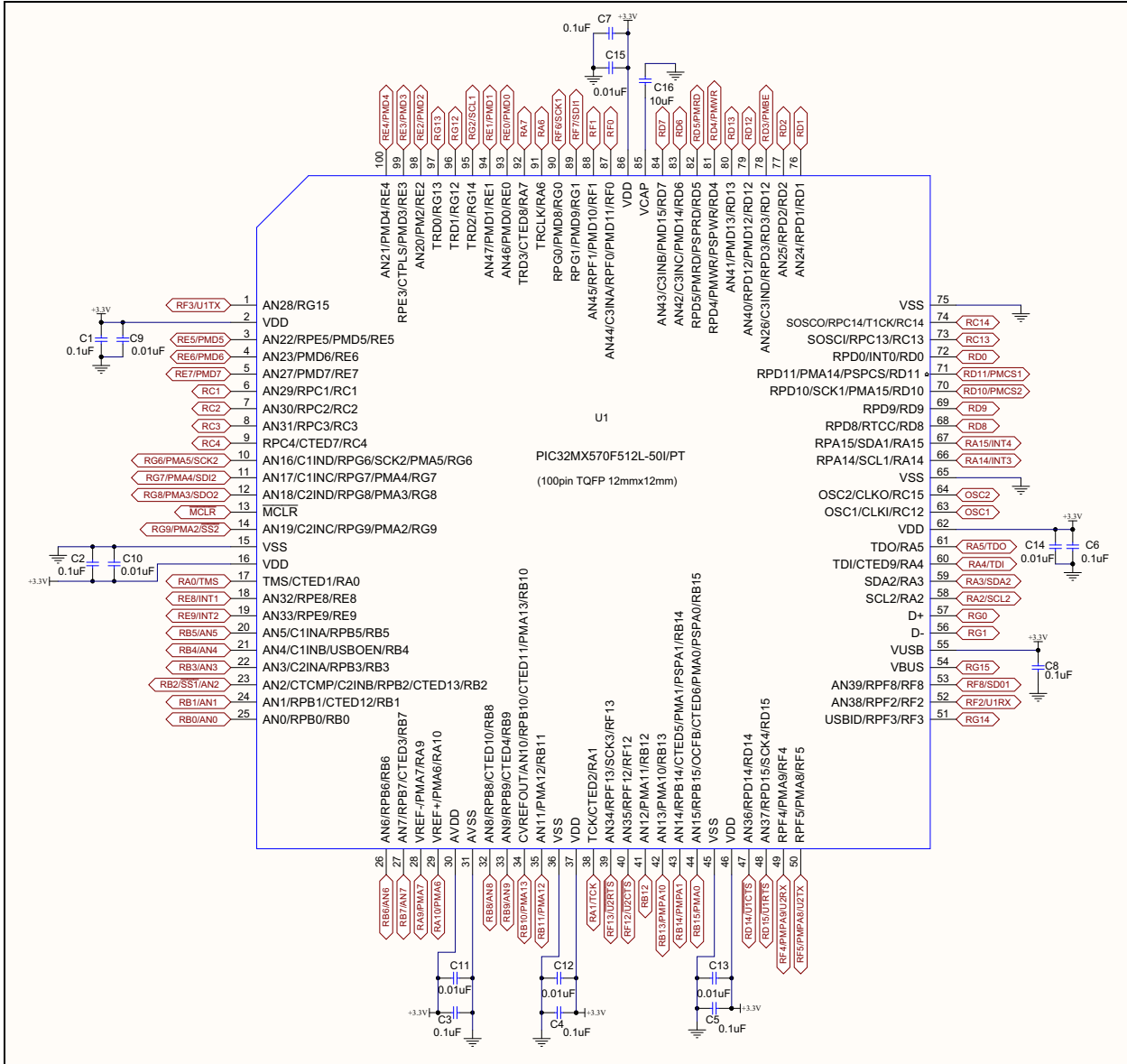
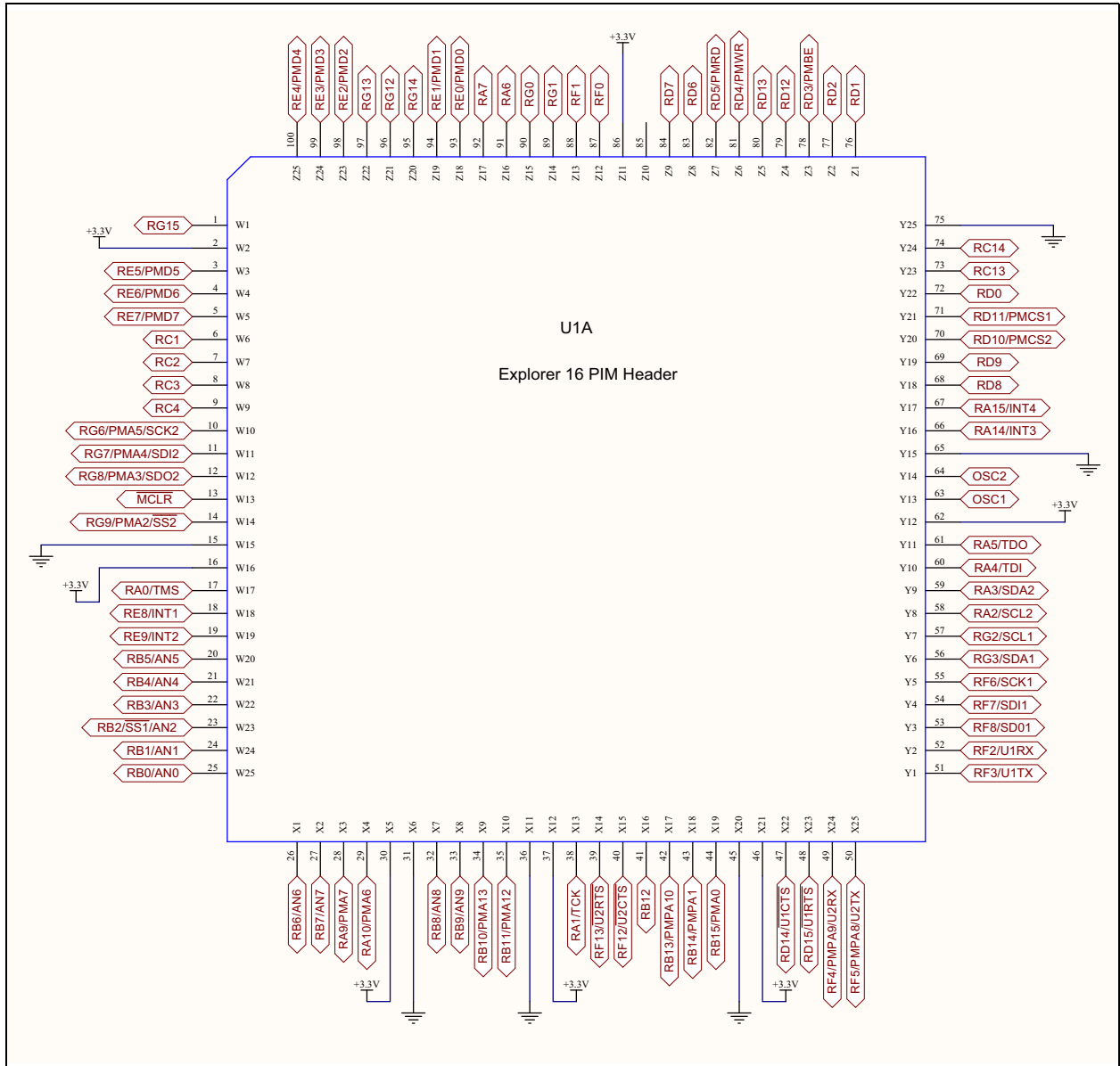
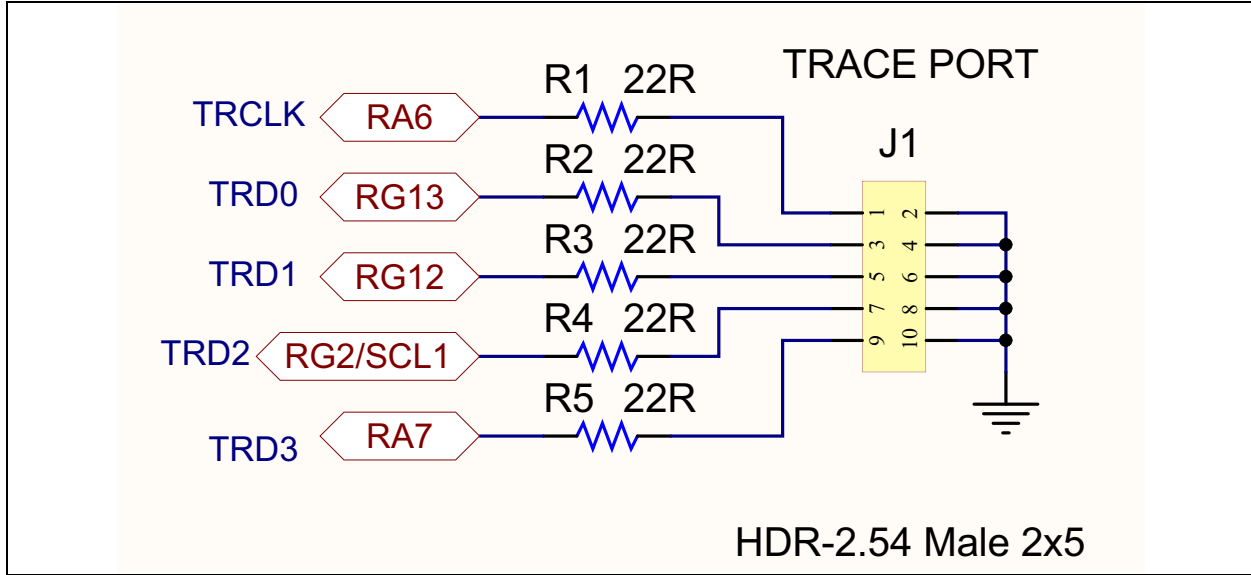


FIGURE 2: 100-PIN PIM SOCKET SCHEMATIC



PIC32MX570F512L

FIGURE 3: TRACE PORT SCHEMATIC



Note the following details of the code protection feature on Microchip devices:

- Microchip products meet the specification contained in their particular Microchip Data Sheet.
- Microchip believes that its family of products is one of the most secure families of its kind on the market today, when used in the intended manner and under normal conditions.
- There are dishonest and possibly illegal methods used to breach the code protection feature. All of these methods, to our knowledge, require using the Microchip products in a manner outside the operating specifications contained in Microchip's Data Sheets. Most likely, the person doing so is engaged in theft of intellectual property.
- Microchip is willing to work with the customer who is concerned about the integrity of their code.
- Neither Microchip nor any other semiconductor manufacturer can guarantee the security of their code. Code protection does not mean that we are guaranteeing the product as "unbreakable."

Code protection is constantly evolving. We at Microchip are committed to continuously improving the code protection features of our products. Attempts to break Microchip's code protection feature may be a violation of the Digital Millennium Copyright Act. If such acts allow unauthorized access to your software or other copyrighted work, you may have a right to sue for relief under that Act.

Information contained in this publication regarding device applications and the like is provided only for your convenience and may be superseded by updates. It is your responsibility to ensure that your application meets with your specifications. MICROCHIP MAKES NO REPRESENTATIONS OR WARRANTIES OF ANY KIND WHETHER EXPRESS OR IMPLIED, WRITTEN OR ORAL, STATUTORY OR OTHERWISE, RELATED TO THE INFORMATION, INCLUDING BUT NOT LIMITED TO ITS CONDITION, QUALITY, PERFORMANCE, MERCHANTABILITY OR FITNESS FOR PURPOSE. Microchip disclaims all liability arising from this information and its use. Use of Microchip devices in life support and/or safety applications is entirely at the buyer's risk, and the buyer agrees to defend, indemnify and hold harmless Microchip from any and all damages, claims, suits, or expenses resulting from such use. No licenses are conveyed, implicitly or otherwise, under any Microchip intellectual property rights.

Trademarks

The Microchip name and logo, the Microchip logo, dsPIC, FlashFlex, flexPWR, JukeBlox, KEELOQ, KEELOQ logo, Kleer, LANCheck, MediaLB, MOST, MOST logo, MPLAB, OptoLyzer, PIC, PICSTART, PIC³² logo, RightTouch, SpyNIC, SST, SST Logo, SuperFlash and UNI/O are registered trademarks of Microchip Technology Incorporated in the U.S.A. and other countries.

The Embedded Control Solutions Company and mTouch are registered trademarks of Microchip Technology Incorporated in the U.S.A.

Analog-for-the-Digital Age, BodyCom, chipKIT, chipKIT logo, CodeGuard, dsPICDEM, dsPICDEM.net, ECAN, In-Circuit Serial Programming, ICSP, Inter-Chip Connectivity, KleerNet, KleerNet logo, MiWi, MPASM, MPF, MPLAB Certified logo, MPLIB, MPLINK, MultiTRAK, NetDetach, Omniscient Code Generation, PICDEM, PICDEM.net, PICkit, PICtail, RightTouch logo, REAL ICE, SQI, Serial Quad I/O, Total Endurance, TSHARC, USBCheck, VariSense, ViewSpan, WiperLock, Wireless DNA, and ZENA are trademarks of Microchip Technology Incorporated in the U.S.A. and other countries.

SQTP is a service mark of Microchip Technology Incorporated in the U.S.A.

Silicon Storage Technology is a registered trademark of Microchip Technology Inc. in other countries.

GestIC is a registered trademarks of Microchip Technology Germany II GmbH & Co. KG, a subsidiary of Microchip Technology Inc., in other countries.

All other trademarks mentioned herein are property of their respective companies.

© 2014, Microchip Technology Incorporated, Printed in the U.S.A., All Rights Reserved.

ISBN: 978-1-63276-505-5

**QUALITY MANAGEMENT SYSTEM
CERTIFIED BY DNV
= ISO/TS 16949 =**

Microchip received ISO/TS-16949:2009 certification for its worldwide headquarters, design and wafer fabrication facilities in Chandler and Tempe, Arizona; Gresham, Oregon and design centers in California and India. The Company's quality system processes and procedures are for its PIC[®] MCUs and dsPIC[®] DSCs, KEELOQ[®] code hopping devices, Serial EEPROMs, microperipherals, nonvolatile memory and analog products. In addition, Microchip's quality system for the design and manufacture of development systems is ISO 9001:2000 certified.



MICROCHIP

Worldwide Sales and Service

AMERICAS

Corporate Office
2355 West Chandler Blvd.
Chandler, AZ 85224-6199
Tel: 480-792-7200
Fax: 480-792-7277
Technical Support:
<http://www.microchip.com/support>
Web Address:
www.microchip.com

Atlanta
Duluth, GA
Tel: 678-957-9614
Fax: 678-957-1455

Austin, TX
Tel: 512-257-3370

Boston
Westborough, MA
Tel: 774-760-0087
Fax: 774-760-0088

Chicago
Itasca, IL
Tel: 630-285-0071
Fax: 630-285-0075

Cleveland
Independence, OH
Tel: 216-447-0464
Fax: 216-447-0643

Dallas
Addison, TX
Tel: 972-818-7423
Fax: 972-818-2924

Detroit
Novi, MI
Tel: 248-848-4000

Houston, TX
Tel: 281-894-5983

Indianapolis
Noblesville, IN
Tel: 317-773-8323
Fax: 317-773-5453

Los Angeles
Mission Viejo, CA
Tel: 949-462-9523
Fax: 949-462-9608

New York, NY
Tel: 631-435-6000

San Jose, CA
Tel: 408-735-9110

Canada - Toronto
Tel: 905-673-0699
Fax: 905-673-6509

ASIA/PACIFIC

Asia Pacific Office
Suites 3707-14, 37th Floor
Tower 6, The Gateway
Harbour City, Kowloon
Hong Kong
Tel: 852-2943-5100
Fax: 852-2401-3431

Australia - Sydney
Tel: 61-2-9868-6733
Fax: 61-2-9868-6755

China - Beijing
Tel: 86-10-8569-7000
Fax: 86-10-8528-2104

China - Chengdu
Tel: 86-28-8665-5511
Fax: 86-28-8665-7889

China - Chongqing
Tel: 86-23-8980-9588
Fax: 86-23-8980-9500

China - Hangzhou
Tel: 86-571-8792-8115
Fax: 86-571-8792-8116

China - Hong Kong SAR
Tel: 852-2943-5100
Fax: 852-2401-3431

China - Nanjing
Tel: 86-25-8473-2460
Fax: 86-25-8473-2470

China - Qingdao
Tel: 86-532-8502-7355
Fax: 86-532-8502-7205

China - Shanghai
Tel: 86-21-5407-5533
Fax: 86-21-5407-5066

China - Shenyang
Tel: 86-24-2334-2829
Fax: 86-24-2334-2393

China - Shenzhen
Tel: 86-755-8864-2200
Fax: 86-755-8203-1760

China - Wuhan
Tel: 86-27-5980-5300
Fax: 86-27-5980-5118

China - Xian
Tel: 86-29-8833-7252
Fax: 86-29-8833-7256

China - Xiamen
Tel: 86-592-2388138
Fax: 86-592-2388130

China - Zhuhai
Tel: 86-756-3210040
Fax: 86-756-3210049

ASIA/PACIFIC

India - Bangalore
Tel: 91-80-3090-4444
Fax: 91-80-3090-4123

India - New Delhi
Tel: 91-11-4160-8631
Fax: 91-11-4160-8632

India - Pune
Tel: 91-20-3019-1500

Japan - Osaka
Tel: 81-6-6152-7160
Fax: 81-6-6152-9310

Japan - Tokyo
Tel: 81-3-6880-3770
Fax: 81-3-6880-3771

Korea - Daegu
Tel: 82-53-744-4301
Fax: 82-53-744-4302

Korea - Seoul
Tel: 82-2-554-7200
Fax: 82-2-558-5932 or
82-2-558-5934

Malaysia - Kuala Lumpur
Tel: 60-3-6201-9857
Fax: 60-3-6201-9859

Malaysia - Penang
Tel: 60-4-227-8870
Fax: 60-4-227-4068

Philippines - Manila
Tel: 63-2-634-9065
Fax: 63-2-634-9069

Singapore
Tel: 65-6334-8870
Fax: 65-6334-8850

Taiwan - Hsin Chu
Tel: 886-3-5778-366
Fax: 886-3-5770-955

Taiwan - Kaohsiung
Tel: 886-7-213-7830

Taiwan - Taipei
Tel: 886-2-2508-8600
Fax: 886-2-2508-0102

Thailand - Bangkok
Tel: 66-2-694-1351
Fax: 66-2-694-1350

EUROPE

Austria - Wels
Tel: 43-7242-2244-39
Fax: 43-7242-2244-393

Denmark - Copenhagen
Tel: 45-4450-2828
Fax: 45-4485-2829

France - Paris
Tel: 33-1-69-53-63-20
Fax: 33-1-69-30-90-79

Germany - Dusseldorf
Tel: 49-2129-3766400

Germany - Munich
Tel: 49-89-627-144-0
Fax: 49-89-627-144-44

Germany - Pforzheim
Tel: 49-7231-424750

Italy - Milan
Tel: 39-0331-742611
Fax: 39-0331-466781

Italy - Venice
Tel: 39-049-7625286

Netherlands - Druenen
Tel: 31-416-690399
Fax: 31-416-690340

Poland - Warsaw
Tel: 48-22-3325737

Spain - Madrid
Tel: 34-91-708-08-90
Fax: 34-91-708-08-91

Sweden - Stockholm
Tel: 46-8-5090-4654

UK - Wokingham
Tel: 44-118-921-5800
Fax: 44-118-921-5820

03/25/14