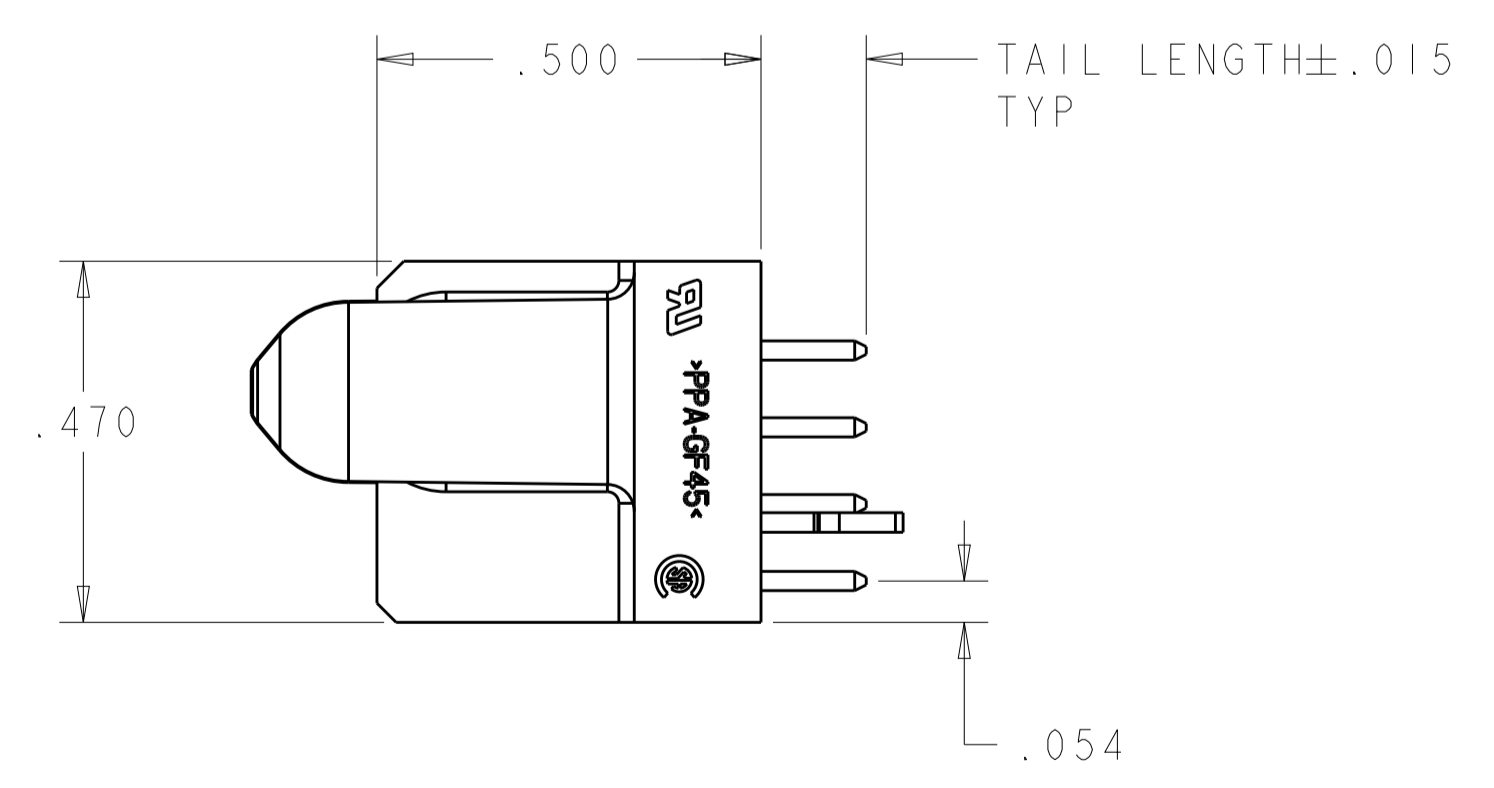
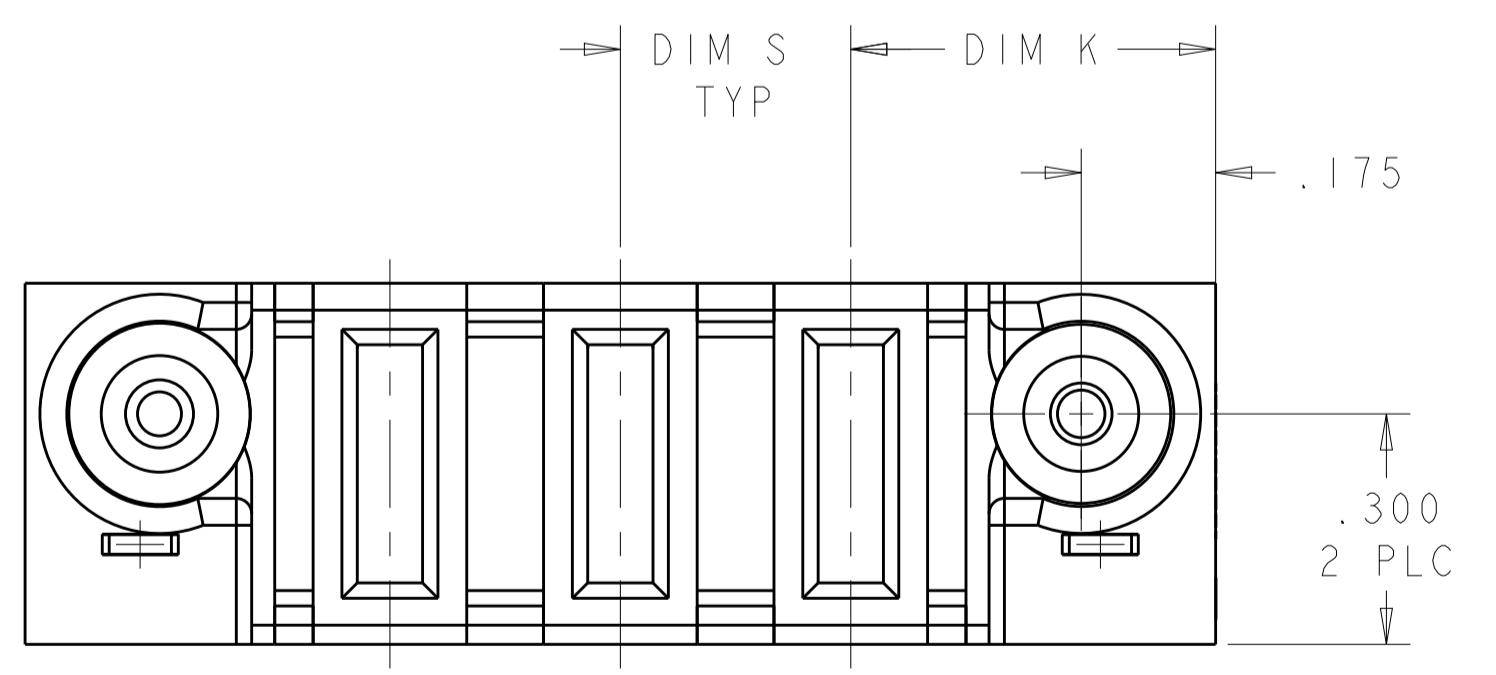
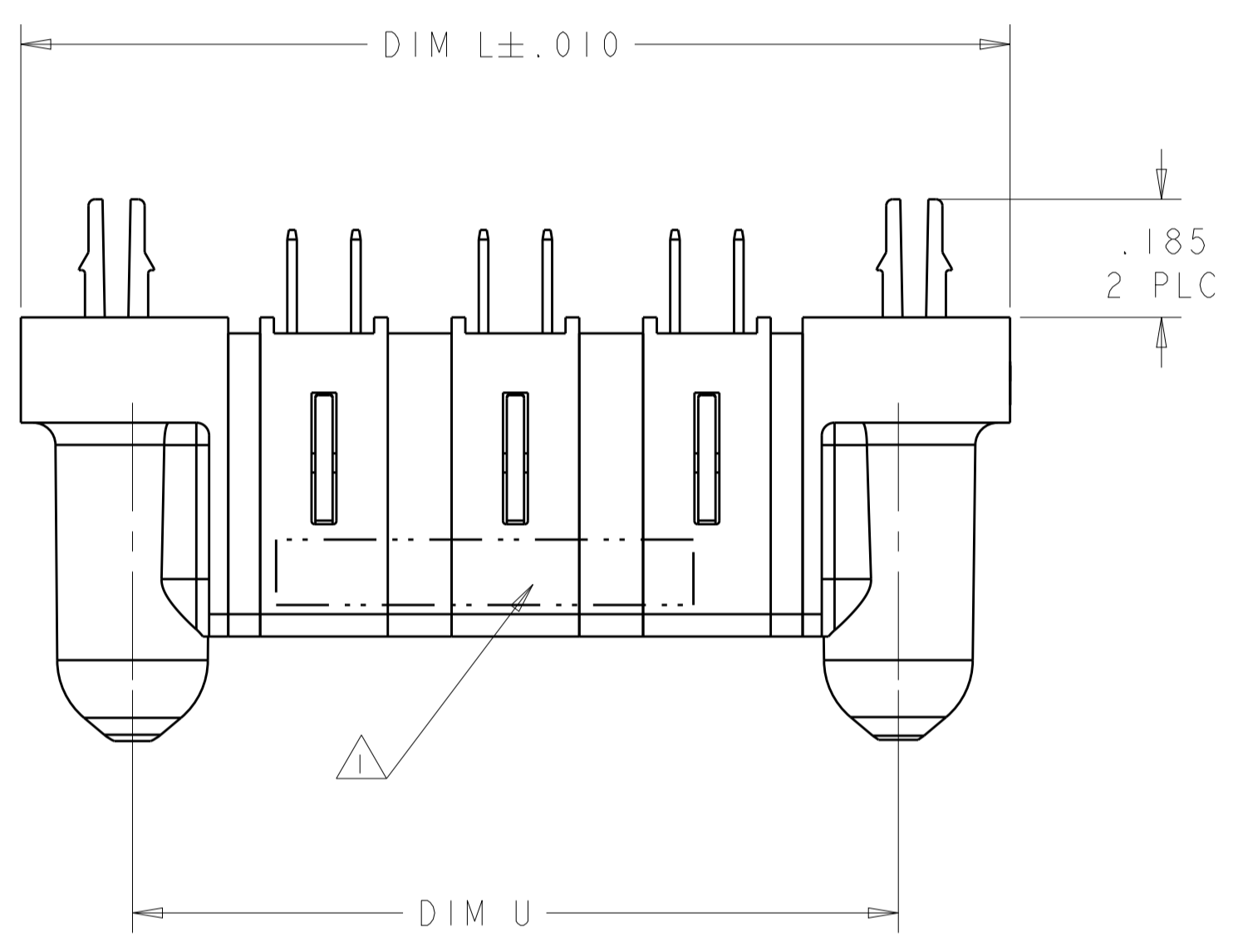
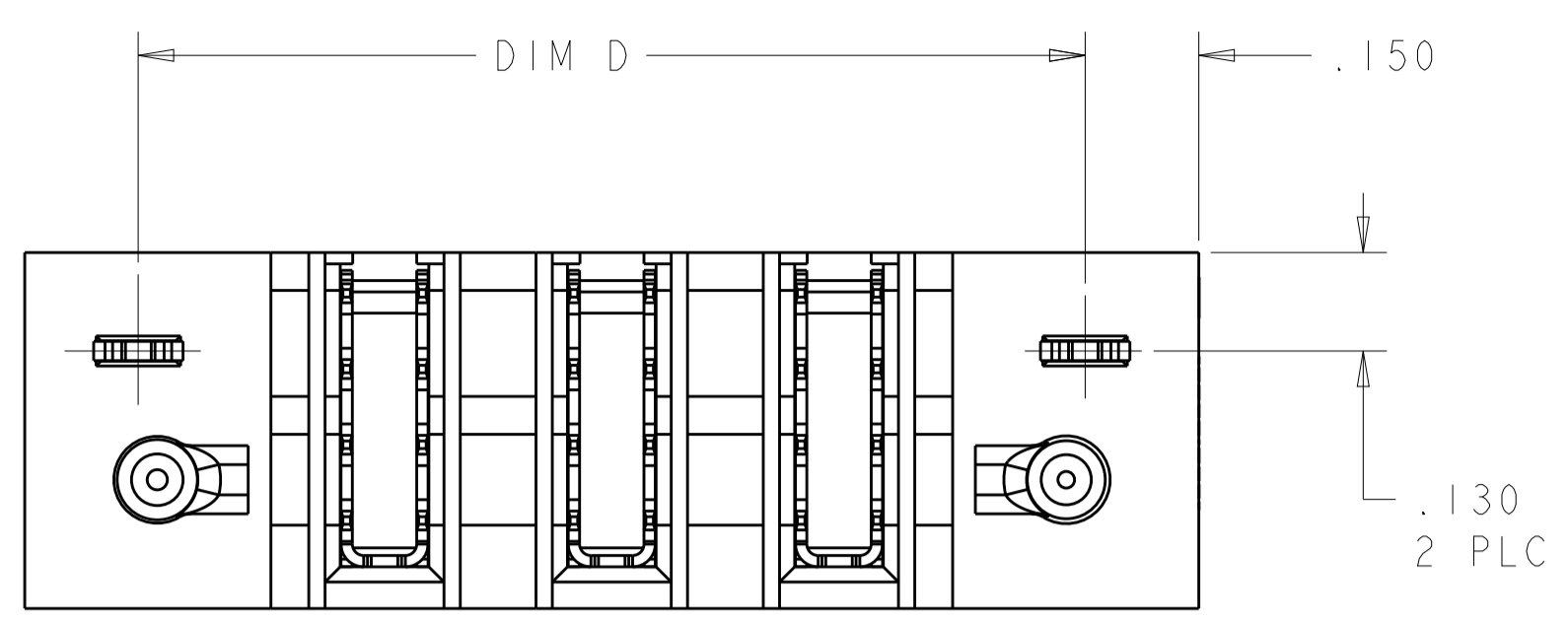


LOC	DIST	REVISIONS					
		P	LTN	DESCRIPTION	DATE	DWN	APVD
ES	00	A2		ADVISED	20MAR2013	ML	SZ









- 1 "AMP", TRADEMARK, PART NUMBER AND DATE CODE TO BE MARKED IN AREA SHOWN
- 2 MATERIAL: HOUSING - GLASS FILLED HIGH TEMP THERMO PLASTIC, UL94 V-0  
SIGNAL CONTACT - HIGH CONDUCTIVITY COPPER ALLOY  
POWER CONTACT - HIGH CONDUCTIVITY COPPER ALLOY
- 3 CONTACT PLATING: NOBLE METAL PLATING ON CONTACT FUNCTIONAL AREA OF SIGNAL AND POWER CONTACTS.
- 4 MECHANICAL CONNECTOR KEEP OUT ZONE
- 5 DATUM AND BASIC DIMENSIONS ESTABLISHED BY CUSTOMER
- 6 PCB - ALL HOLE DIAMETERS ARE FINISHED HOLE SIZES
- 7 PCB - .0453 ± .0010 DRILLED HOLES PLATED WITH .0003 MIN Sn OVER .001 TO .003 CU PLATING TO ACHIEVE A .040 ± .003 DIA HOLE
- 8 POWER CONTACT AREA LUBRICATED WITH LUBRICANT
- 9 NOT RELEASED FOR PRODUCTION.

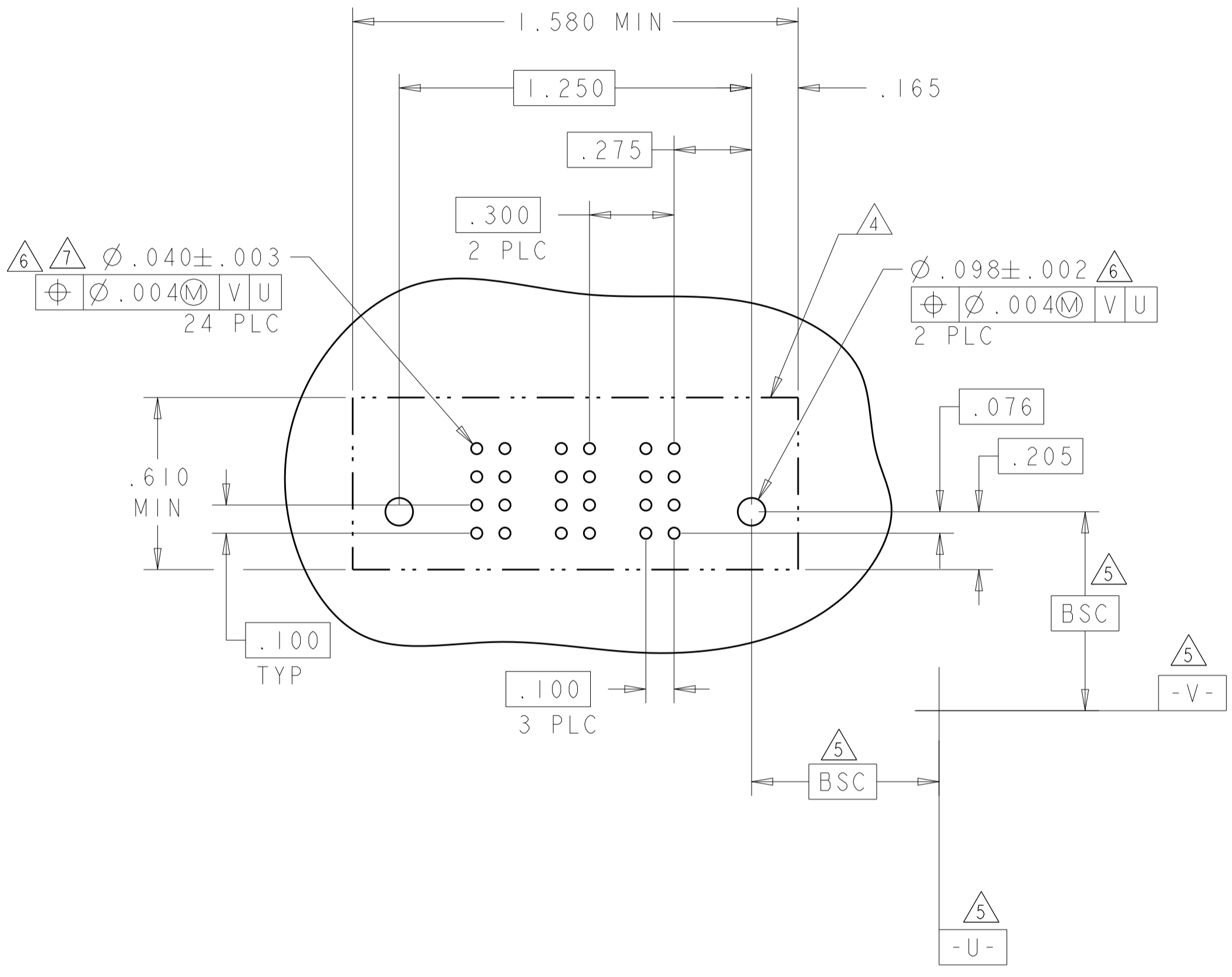
DIM U	DIM S	DIM D	DIM L	DIM K	DESCRIPTION	PART NUMBER
1.200	.300	1.250	1.550	.475	3ACP	1892403-1

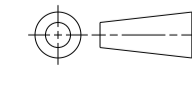
THIS DRAWING IS A CONTROLLED DOCUMENT.		DWN C. ZHOU	ZOMAT2007
DIMENSIONS: INCHES		CHK S. ZHAO	S. YAO
TOLERANCES UNLESS OTHERWISE SPECIFIED:		APVD S. YAO	NAME
0 PLC ±	1 PLC ±.01	PRODUCT SPEC	VERTICAL RECEPTACLE ASSEMBLY, WITH GUIDES
2 PLC ±.01	3 PLC ±.005	APPLICATION SPEC	MULTI-BEAM XL
4 PLC ±.0020	ANGLES ±.7°	SIZE	114-13038
MATERIAL		WEIGHT	RESTRICTED TO
FINISH		Customer Drawing	A100779C=1892403
SCALE 4:1		SHEET 1 OF 2	REV A2

LOC	DIST	REVISIONS			
P	LTN	DESCRIPTION	DATE	DWN	APVD
-	-	SEE SHEET 1	-	-	-

PART NUMBER	ROWS	POWER	POWER		
			P3	P2	P1
1892403-1	D C B A	  			
3ACP					



VM	.135	STD, LUBRICANT
VA	.135	MFBL, LUBRICANT
CODE	TAIL LENGTH	DESCRIPTION
POWER CONTACTS		

DIMENSIONS:		TOLERANCES UNLESS OTHERWISE SPECIFIED:		APVD		NAME	
INCHES		0 PLC	±	S. YAO		S. YAO	
		1 PLC	±	S. YAO		S. YAO	
		2 PLC	±.01	S. YAO		S. YAO	
		3 PLC	±.005	S. YAO		S. YAO	
		4 PLC	±.0020	S. YAO		S. YAO	
		ANGLES	±.020	S. YAO		S. YAO	
		FINISH	±.020	S. YAO		S. YAO	

THIS DRAWING IS A CONTROLLED DOCUMENT.		DWN	ZOMAY2007	TE Connectivity	
		CHK	S. ZHAO	S. YAO	
		APVD	S. YAO	S. YAO	
		NAME	S. YAO	S. YAO	
		PRODUCT SPEC	108-1973	VERTICAL RECEPTACLE ASSEMBLY, WITH GUIDES MULTI-BEAM XL	
		APPLICATION SPEC	114-13038	S. YAO	
		WEIGHT	-	S. YAO	
		RESTRICTED TO	-	S. YAO	
		Customer Drawing	SCALE 4:1	SHEET 2 OF 2	REV A2