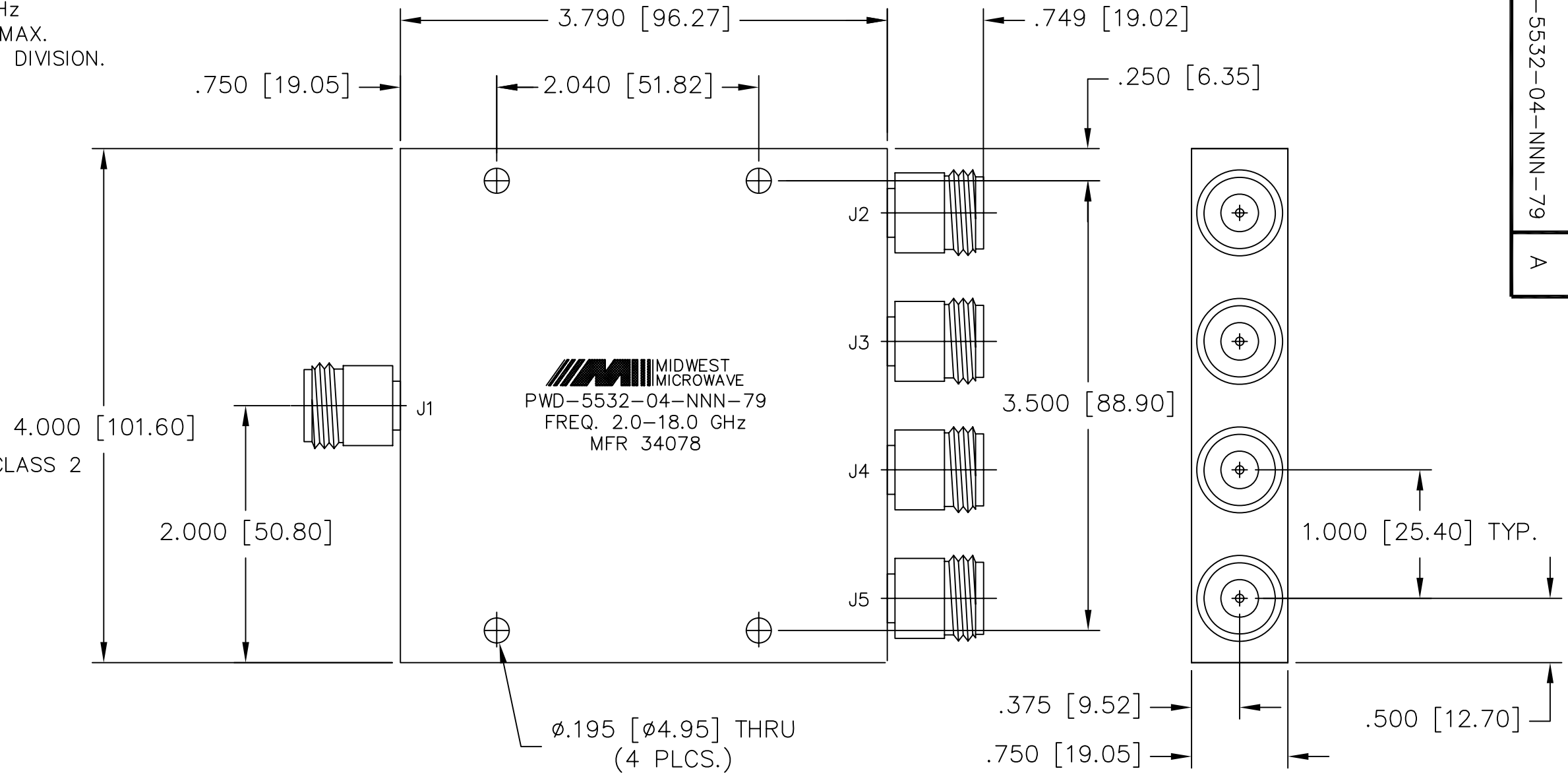


NOTES:

- 1.0 ELECTRICAL SPECIFICATIONS:
 - 1.1 FREQUENCY RANGE: 2.0 to 18.0 GHz
 - 1.2 INSERTION LOSS: (1.0 + 0.05f)dB MAX. WHEN REFERENCED TO 6dB POWER DIVISION. (WHERE f IS FREQUENCY IN GHz).
 - 1.3 ISOLATION: 15dB MIN.
 - 1.4 VSWR (MAX):
 - 2-8 GHz: 1.40:1
 - 8-12 GHz: 1.60:1
 - 12-18 GHz: 1.70:1
 - 1.5 OUTPUT UNBALANCE:
 - AMPLITUDE: 0.6dB MAX.
 - PHASE: 12° MAX.
 - 1.6 MAX. INPUT POWER: 10 WATTS MAX.
 - 1.7 IMPEDANCE: 50 OHMS
 - 1.8 TEMPERATURE RANGE: -65°C to +125°C
- 2.0 FINISHING:
 - 2.1 GREY PER MIL-E-15090 TYPE II ,CLASS 2 OVER MIL-C-5541 CLASS 3A MEETS MIL-F-14072 MEETS MIL-E-5400
 - 2.2 MARKING: MARK UNIT AS SHOWN (REF.: SLK-08143-82-01)
- 3.0 DIMENSIONS IN PARENTHESIS ARE IN MILLIMETERS.



MODEL NUMBER
PWD-5532-04-NNN-79
REV. A

DATE	1/15/03	4/22/03
DESCRIPTION	RELEASED	ECN 19160
REV.	-	A

UNLESS OTHERWISE NOTED DIMENSIONS ARE IN INCHES AND TOLERANCES ARE: 3 PLACE DECIMALS ±.005 2 PLACE DECIMALS ±.02 FRACTIONS ±1/64 PARALLELITY: T.I.R. _____ FLATNESS: T.I.R. _____ CONCENTRICITY: T.I.R. _____ ANGLES AND PERPENDICULARITY: ±1°	FSCM NO. 34078	MIDWEST MICROWAVE		
	NOTICE: The information contained in this drawing is proprietary and must not be used without the permission of Midwest Microwave		TITLE POWER DIVIDER	
	DRAWN/DATE S.ORLOV 1/6/03	ENG./DATE P.GOODMAN 1/15/03	DRAWING NUMBER PWD-5532-04-NNN-79	
	CHECKED/DATE	APPROVED/DATE	SCALE: 1=1	SHEET 1 of 1