

PNP Power Silicon Transistor

2N3740 & 2N3741



Features

- Available in JAN, JANTX, JANTXV and JANS per MIL-PRF-19500/441
- TO-66 (TO-213AA) Package



Maximum Ratings

Ratings	Symbol	2N3740	2N3741	Units
Collector - Emitter Voltage	V_{CEO}	60	80	Vdc
Collector - Base Voltage	V_{CBO}	60	80	Vdc
Emitter - Base Voltage	V_{EBO}	7.0		Vdc
Base Current	I_B	2.0		Adc
Collector Current	I_C	4.0		Adc
Total Power Dissipation @ $T_A = +25\text{ }^\circ\text{C}$ @ $T_C = +100\text{ }^\circ\text{C}$	P_T	3 14		W W
Operating & Storage Temperature Range	T_{op}, T_{stg}	-65 to +200		$^\circ\text{C}$
Thermal Resistance, Junction-to-Case	$R_{\theta JC}$	7.0		$^\circ\text{C/W}$

Electrical Characteristics ($T_C = 25^\circ\text{C}$ unless otherwise noted)

OFF Characteristics	Symbol	Mimimum	Maximum	Units
Collector - Emitter Breakdown Voltage $I_C = 100\text{ mA}$ 2N3740 2N3741	$V_{(BR)CEO}$	60 80	---	Vdc
Collector - Emitter Cutoff Current $V_{CE} = 40\text{ Vdc}$ $V_{CE} = 60\text{ Vdc}$ 2N3740 2N3741	I_{CEO}	---	10 10	μAdc
Collector - Emitter Cutoff Current $V_{CE} = 60\text{ Vdc}, V_{BE} = 1.5\text{ Vdc}$ $V_{CE} = 80\text{ Vdc}, V_{BE} = 1.5\text{ Vdc}$ 2N3740 2N3741	I_{CEX}	---	300 300	nAdc
Collector - Base Cutoff Current $V_{CB} = 60\text{ Vdc}$ $V_{CB} = 80\text{ Vdc}$ 2N3740 2N3741	I_{CBO}	---	100 100	nAdc
Emitter - Base Cutoff Current $V_{EB} = 7.0\text{ Vdc}$	I_{EBO}	---	100	nAdc

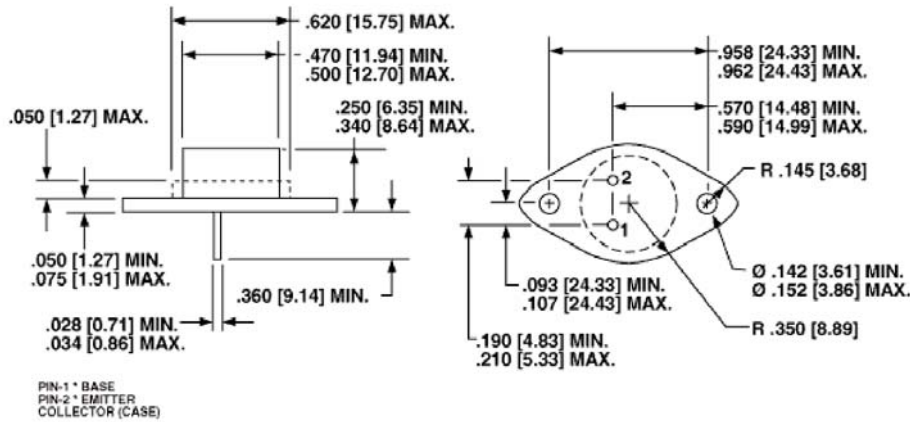


Electrical Characteristics -con't

ON Characteristics (1)				
	Symbol	Minimum	Maximum	Unit
Forward Current Transfer Ratio $I_C = 100 \text{ mAdc}, V_{CE} = 1.0 \text{ Vdc}$ $I_C = 250 \text{ mAdc}, V_{CE} = 1.0 \text{ Vdc}$ $I_C = 500 \text{ mAdc}, V_{CE} = 1.0 \text{ Vdc}$ $I_C = 1.0 \text{ Adc}, V_{CE} = 1.0 \text{ Vdc}$ $I_C = 4.0 \text{ Adc}, V_{CE} = 5.0 \text{ Vdc}$	H_{FE}	40 30 20 10 3	120	
Collector - Emitter Saturation Voltage $I_C = 250 \text{ mAdc}, I_B = 25 \text{ mAdc}$ $I_C = 1.0 \text{ Adc}, I_B = 1.25 \text{ mA}$	$V_{CE(sat)}$	--- ---	0.4 0.6	Vdc
Base - Emitter Voltage $I_C = 250 \text{ mAdc}, V_{CE} = 1 \text{ Vdc}$	$V_{BE(on)}$	---	1.0	Vdc
DYNAMIC Characteristics				
Magnitude of Common Emitter Small-Signal Short-Circuit Forward Current Transfer Ratio $I_C = 100 \text{ mAdc}, V_{CE} = 10.0 \text{ Vdc}, f = 5.0 \text{ MHz}$	$ h_{fe} $	1	12	
Small-Signal Short-Circuit Forward Current Transfer Ratio $I_C = 50 \text{ mAdc}, V_{CE} = 10.0 \text{ Vdc}, f = 1.0 \text{ kHz}$	h_{fe}	25	250	
Output Capacitance $V_{CB} = 10 \text{ Vdc}, I_E = 0, 100 \text{ kHz} \leq f \leq 1.0 \text{ MHz}$	C_{obo}	---	100	pF
SWITCHING Characteristics				
Turn-On Time $V_{CC} = 30 \text{ Vdc}, I_C = 1.0 \text{ Adc}, I_B = 0.1 \text{ Adc}$	t_{on}	---	400	μs
Turn-off Time $V_{CC} = 30 \text{ Vdc}, I_C = 1.0 \text{ Adc}, I_{B1} = -I_{B2} = 0.1 \text{ Adc}$	t_{off}	---	1.0	μs
SAFE OPERATING AREA				
DC Tests:	$T_C = +25 \text{ }^\circ\text{C}, 1 \text{ Cycle}, t = 1.0 \text{ s}$			
Test 1:	$V_{CE} = 6.25 \text{ Vdc}, I_C = 4.0 \text{ Adc}$			
Test 2:	$V_{CE} = 20 \text{ Vdc}, I_C = 1.25 \text{ Adc}$			
Test 3:	$V_{CE} = 50 \text{ Vdc}, I_C = 150 \text{ mAdc}$	2N3740		
	$V_{CE} = 65 \text{ Vdc}, I_C = 150 \text{ mAdc}$	2N3741		

(1) Pulse Test: Pulse Width = 300 μs , Duty Cycle $\leq 2.0\%$.

Outline Drawing



NOTE: Dimensions in Inches [mm]

Aeroflex / Metelics, Inc.

975 Stewart Drive,
Sunnyvale, CA 94085
Tel: (408) 737-8181
Fax: (408) 733-7645

Sales: 888-641-SEMI (7364)

Hi-Rel Components

9 Hampshire Street,
Lawrence, MA 01840
Tel: (603) 641-3800
Fax: (978) 683-3264

www.aeroflex.com/metelics-hirelcomponents

54 Grenier Field Road,
Londonderry, NH 03053
Tel: (603) 641-3800
Fax: (603)-641-3500

ISO 9001: 2008 certified companies

www.aeroflex.com/metelics metelics-sales@aeroflex.com

Aeroflex / Metelics, Inc. reserves the right to make changes to any products and services herein at any time without notice. Consult Aeroflex or an authorized sales representative to verify that the information in this data sheet is current before using this product. Aeroflex does not assume any responsibility or liability arising out of the application or use of any product or service described herein, except as expressly agreed to in writing by Aeroflex; nor does the purchase, lease, or use of a product or service from Aeroflex convey a license under any patent rights, copyrights, trademark rights, or any other of the intellectual rights of Aeroflex or of third parties.

Copyright 2011 Aeroflex / Metelics. All rights reserved.



Our passion for performance is defined by three attributes represented by these three icons: solution-minded, performance-driven and customer-focused.