

DIMENSIONS IN INCHES (MILLIMETERS)
DO NOT SCALE DRAWING

Dwg. No.

GF-126-0325

P.C. LAYOUT

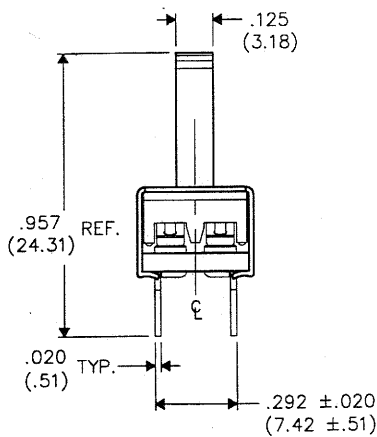
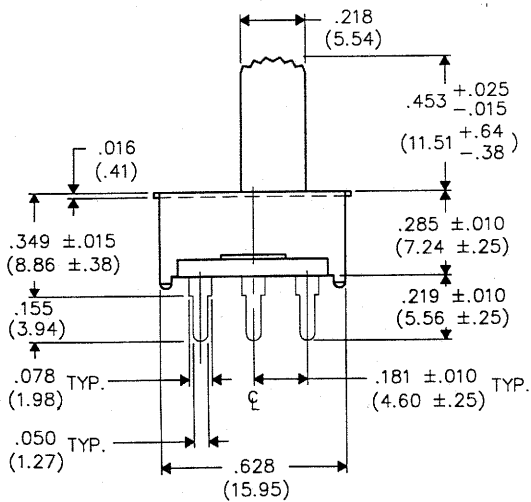
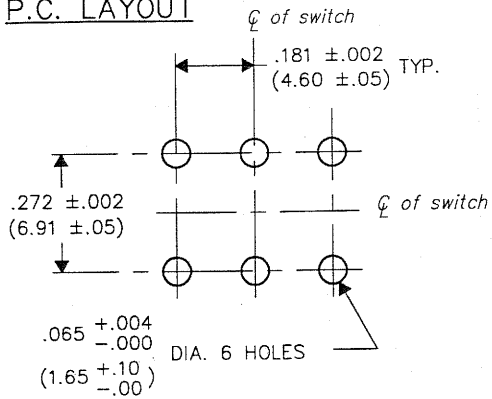
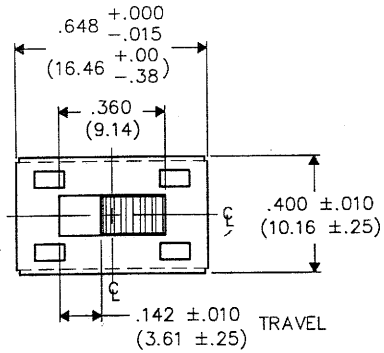
E

D

C

B

A



1 2 3 4 5 6 7 8 9 10

FORM-B3
REVISIONS
0
RELEASED
DGW 6-02-98
JUN-3-1998

PDF File Made

ID. No.

GW INDUSTRIES
Southampton, Pa. 18966

TOLERANCES UNLESS OTHERWISE SPECIFIED

2 Place Decimal ±.010	METRIC
3 Place Decimal ±.005	1 Place Dec. ±.25mm
Angles ±1'	2 Place Dec. ±.13mm

Made for: CW IND.
Drawn by: DGW 6-02-98
Checked by: G. GULD 6-2-98
Approval: *[Signature]*

Title:
SWIDGET ASSEMBLY
D.P.- D.T.
RAD. KNURL

Division:
SWITCH

Dwg. No.
GF-126-0325